



October 2016

SERVICE MANUAL ADDENDUM

IC-7300

**NOTE: Use these amended pages as one addendum set.
Do not mix them up with the previous master pages.**

CONTENTS

REPLACEMENT PAGES:

ADJUSTMENT PROCEDURES..... 4-5

AMENDED PAGES:

PARTS LIST 1
BOARD LAYOUTS 21
BLOCK DIAGRAMS 29
SCHEMATIC DIAGRAMS 32

4-4 TX POWER ADJUSTMENTS (continued)

ADJUSTMENT ITEM	TRANSCEIVER'S CONDITION	OPERATION	ADJUST POINT	VALUE
TX POWER & POWER METER SETTING (70 MHz band)	18	• Display: "TX Total 70M Gain" • Transmit (automatic)	[MAIN DIAL]	25 W (A beep sounds, and then another beeps sound 0.5 sec. later.)
	19	• Display: "POWER 70M 1%" • Transmit (automatic)		2 W (A beep sounds, and then another beeps sound 0.5 sec. later.)
	20	• Display: "POWER 70M 10%" • Transmit (automatic)		7.5 W (A beep sounds, and then another beeps sound 0.5 sec. later.)
	21	• Display: "POWER 70M TUNE" • Transmit (automatic)		10 W (A beep sounds, and then another beeps sound 0.5 sec. later.)
	22	• Display: "POWER 70M 50%" • Transmit (automatic)		27.5 W (A beep sounds, and then another beeps sound 0.5 sec. later.)
	23	• Display: "POWER 70M 100%" • Transmit (automatic)		52.5 W (A beep sounds, and then another beeps sound 0.5 sec. later.)
AM CARRIER POWER (70 MHz band) Only for [#03], [#05], and [#06]	24	• Display: "POWER AM Ratio 70M" • Transmit (automatic)		12.5 W (A beep sounds, and then another beeps sound 0.5 sec. later.)
	• Push [EXIT] to return to the main adjustment menu.			

4-5 TX AMPLIFIER ADJUSTMENTS

• Touch [TX/ID] on the main adjustment menu screen.

NOTE: The transceiver automatically transmits when a TX adjustment item is selected.

ADJUSTMENT ITEM	TRANSCEIVER'S CONDITION	OPERATION	VALUE
PREPARATION	1	• Display: "TX POWER SET" • Receive	-
ALC METER	2	• Display: "ALC HF" • Transmit (automatic)	Touch [SET]. (A beep sounds, and then another beeps sound 3 sec. later.)
	3	• Display: "ALC 50M" • Transmit (automatic)	
	4	• Display: "ALC 70M" • Transmit (automatic)	
DRIVE AMP GAIN	5	• Display: "DRIVE HF" • Transmit (automatic)	Touch [SET]. (A beep sounds, and then another beeps sound 10 sec. later.)
	6	• Display: "DRIVE 50M" • Transmit (automatic)	
	7	• Display: "DRIVE 70M" • Transmit (automatic)	
SWR METER	8	• Display: "SWR2 (HF)" • Transmit (automatic)	Touch [SET]. (A beep sounds, and then another beeps sound 3 sec. later.)
	9	• Display: "SWR2 (50M)" • Transmit (automatic)	
	10	• Display: "SWR2 (70M)" • Transmit (automatic)	
Id APC	11	• Display: "ID-APC" • Transmit (automatic)	Touch [SET]. (A beep sounds, and then another beeps sound 2 sec. later.)
	• Push [EXIT] to return to the main adjustment menu.		

PARTS LIST

[MAIN UNIT]

REF NO.	PART NO.	DESCRIPTION	M.	H/V LOCATION
IC121	1130016460	S.IC R2A20169SA	T	58.5/64.0
IC125	1110008550	S.IC NJM2904CRB1-TE1-#HMZR	T	28.5/70.4
IC135	1110008550	S.IC NJM2904CRB1-TE1-#HMZR	T	34.3/73.7
IC141	1130010550	S.IC SN74AHC595PWR	T	58.5/53.2
IC151	1110008550	S.IC NJM2904CRB1-TE1-#HMZR	T	27.0/77.1
IC201	6910022360	S.DC TPS62110RSAR	T	24.9/57.2
IC211	1180004830	S.REG XC6222A331MR-G	T	30.0/45.3
IC216	1180004830	S.REG XC6222A331MR-G	T	31.6/40.4
IC221	6910024090	S.DC ADP2370ACPZ-R7	T	34.7/51.5
IC231	1180004390	S.REG TLV70025DCKR	T	64.2/92.1
IC241	1180004230	S.REG XC6222A331MR-G	T	67.1/4.5
IC251	6910022360	S.DC TPS62110RSAR	T	16.4/57.2
IC261	6910022360	S.DC TPS62110RSAR	T	9.6/44.7
IC271	1180003500	S.REG NJM7808DL1A-TE1-#FZZB	T	6.6/15.1
IC276	1180003500	S.REG NJM7808DL1A-TE1-#FZZB	T	17.8/9.5
IC301	1140017540	S.IC R7S721000VCFP	T	83.0/30.0
IC351	1130016621	S.IC GT24C128B-2ZLI-TR	T	109.5/23.5
IC361	1110007780	S.IC NJU7704F3-28A-TE1-#ZZZH	T	96.5/10.0
IC371	1110007780	S.IC NJU7704F3-28A-TE1-#ZZZH	T	57.3/31.5
IC381	1130018410	S.IC RX-8803LC UB	T	105.1/11.0
IC391	1130018090	S.IC EN25QH64A-104HIP	T	106.7/43.6
IC611	1180004490	S.REG XC6209F332MR-G	T	51.4/172.5
IC621	1190002911	S.IC TUSB2046BIVFRG4	T	58.0/164.5
IC641	1190002730	S.IC CP2102-GMR	T	43.1/161.7
IC661	1190002240	S.IC PCM2901E/2K	T	55.5/151.0
IC662	1130012260	S.IC SN74AHC1G32DCKR	T	51.5/157.4
IC681	1130007021	S.IC TC756FU (TE85LF)	T	39.6/150.7
IC691	1130009581	S.IC TC7W66FU (TE12LF)	T	15.3/158.5
IC701	1130018160	S.IC 74VHC04FT (BE)	T	19.5/173.5
IC721	1190003450	S.IC MP7741DQ-LF-P	T	92.6/159.7
IC791	1110008550	S.IC NJM2904CRB1-TE1-#HMZR	T	25.5/176.5
IC901	1140015962	S.IC TMS320C6745DPTPA3	T	87.6/72.5
IC902	1130018080	S.IC EN25QH32A-104HIP	T	110.8/84.7
IC961	1180004430	S.REG XC6209F502MR-G	T	38.0/160.5
IC971	1110008060	S.IC PCM1754DBQR	T	34.5/139.0
IC972	1110008550	S.IC NJM2904CRB1-TE1-#HMZR	T	33.5/155.0
IC991	1110008060	S.IC PCM1754DBQR	T	51.5/134.9
IC992	1110006570	S.IC TS462CPT	T	45.0/144.5
IC1001	1190004280	S.IC PCM1802DBR	T	62.1/138.5
IC1002	1110006570	S.IC TS462CPT	T	71.3/142.8
IC1003	1130009981	S.IC TC7W53FK (TE85LF)	T	72.9/133.7
IC1211	1130012610	S.IC SN74AHC1GU04DCKR	T	50.3/93.6
IC1212	1130017950	S.IC SN65LVD51DBVR	T	50.3/97.8
IC1221	1130011930	S.IC SN74LVC1G04DCKR	T	69.1/130.8
IC1241	1180004430	S.REG XC6209F502MR-G	T	95.6/118.6
IC1261	1110009190	S.IC LTC6401IUD-20#TRPBF	T	102.2/112.1
IC1301	1190004340	S.IC LTC2208IUP-14#TRPBF	T	86.9/106.8
IC1315	1130017950	S.IC SN65LVD51DBVR	T	76.7/130.4
IC1318	1180002020	S.REG BA033FF-E2	T	102.6/101.8
IC1321	1180004490	S.REG XC6209F332MR-G	T	88.2/129.1
IC1325	1180004490	S.REG XC6209F332MR-G	T	70.2/86.9
IC1331	1190004300	S.IC ISL5857IAZ	T	72.9/123.6
IC1351	1130016150	S.IC EP4CE55F23I7N	T	50.0/113.0
IC1401	1130018130	S.IC 23LC1024T-I/5N	T	31.9/126.7
Q45	1530004210	S.STR DSC7004S0L	T	15.1/74.3
Q111	1550000260	S.FET RZR040P01TL	T	73.5/7.5
Q112	1590004690	S.STR LDTC143ZET1G	T	67.0/7.5
Q641	1590004690	S.STR LDTC143ZET1G	T	44.6/168.0
Q642	1590004690	S.STR LDTC143ZET1G	T	42.3/167.3
Q643	1590004690	S.STR LDTC143ZET1G	T	56.7/172.7
Q644	1590004310	S.STR LDTA114EET1G	T	45.2/155.2
Q645	1590004310	S.STR LDTA114EET1G	T	41.0/155.2
Q661	1590004690	S.STR LDTC143ZET1G	T	54.3/158.2
Q691	1530004140	S.STR L2SC4081RT1G	T	23.0/159.3
Q692	1510001200	S.STR L2SA1576ART1G	T	20.5/167.1
Q711	1530004140	S.STR L2SC4081RT1G	T	20.5/159.3
Q712	1510001200	S.STR L2SA1576ART1G	T	23.0/167.1
Q746	1550000240	S.FET TPCF8107 (TE85LF)	T	105.5/171.8
Q747	1560001730	S.FET RUE002NO2 TL	T	102.0/167.9
Q801	1590004310	S.STR LDTA114EET1G	T	29.1/159.7
Q802	1530004140	S.STR L2SC4081RT1G	T	27.1/156.5
Q803	1530004210	S.STR DSC7004S0L	T	29.0/166.5
Q821	1530004140	S.STR L2SC4081RT1G	T	24.5/183.0
Q831	1590004690	S.STR LDTC143ZET1G	T	24.5/186.4
Q851	1590004310	S.STR LDTA114EET1G	T	15.6/164.5
Q852	1590004690	S.STR LDTC143ZET1G	T	18.1/164.5
Q971	1530004140	S.STR L2SC4081RT1G	T	33.1/161.3
Q972	1530004140	S.STR L2SC4081RT1G	T	30.6/151.0
Q1001	1590004690	S.STR LDTC143ZET1G	T	71.5/136.9
Q1201	1530004340	S.STR 2SC3356L-B-AE3-R	T	49.0/85.0
Eqv.	1530004560	S.STR 2SC3356G-B-AE2-R		
Q1202	1510001200	S.STR L2SA1576ART1G	T	53.0/85.0
Q1231	1590004690	S.STR LDTC143ZET1G	T	96.5/122.5
Q1232	1590004310	S.STR LDTA114EET1G	T	96.1/124.8
Q1234	1590004690	S.STR LDTC143ZET1G	T	94.2/122.5
Q1235	1590004310	S.STR LDTA114EET1G	T	92.1/124.8
Q1273	1590004690	S.STR LDTC143ZET1G	T	82.8/95.3
Q1274	1590004310	S.STR LDTA114EET1G	T	85.1/95.3
D151	1750001810	S.DIO L1SS400T1G	T	23.6/75.8
D152	1750001810	S.DIO L1SS400T1G	T	29.4/74.8
D241	1750002110	S.DIO LRB551V-30T1G	T	64.7/7.5
D381	1750001810	S.DIO L1SS400T1G	T	100.5/8.9
D401	1750001810	S.DIO L1SS400T1G	T	107.2/28.6
D402	1750001810	S.DIO L1SS400T1G	T	109.7/28.6

[MAIN UNIT]

REF NO.	PART NO.	DESCRIPTION	M.	H/V LOCATION
D403	1750001810	S.DIO L1SS400T1G	T	112.2/28.6
D404	1750001810	S.DIO L1SS400T1G	T	107.2/29.8
D405	1750001810	S.DIO L1SS400T1G	T	109.7/29.8
D407	1750001810	S.DIO L1SS400T1G	T	107.2/31.0
				[#05]
				[#06]
				[#07]
				[#08]
D408	1750001810	S.DIO L1SS400T1G	T	109.7/31.0
D410	1750001810	S.DIO L1SS400T1G	T	107.2/32.2
				[#03]
				[#07]
				[#08]
D411	1750001810	S.DIO L1SS400T1G	T	109.7/32.2
D413	1750001810	S.DIO L1SS400T1G	T	107.2/33.4
				[#02]
				[#06]
				[#08]
				[#12]
D414	1750001810	S.DIO L1SS400T1G	T	109.7/33.4
D416	1750001810	S.DIO L1SS400T1G	T	107.2/34.6
D417	1750001810	S.DIO L1SS400T1G	T	109.7/34.6
				[#03]
				[#05]
				[#06]
D419	1750001810	S.DIO L1SS400T1G	T	107.2/35.8
D422	1750001810	S.DIO L1SS400T1G	T	107.2/37.0
D431	1750001820	S.DIO LRB706F-40T1G	T	63.7/47.6
D432	1750001820	S.DIO LRB706F-40T1G	T	66.3/47.6
D451	1750001820	S.DIO LRB706F-40T1G	T	51.0/30.6
D452	1750001820	S.DIO LRB706F-40T1G	T	53.5/30.6
D453	1750001820	S.DIO LRB706F-40T1G	T	48.5/30.6
D454	1750001820	S.DIO LRB706F-40T1G	T	46.0/30.6
D455	1750001820	S.DIO LRB706F-40T1G	T	53.3/35.7
D456	1750001820	S.DIO LRB706F-40T1G	T	50.8/35.7
D457	1750001820	S.DIO LRB706F-40T1G	T	48.3/35.7
D458	1750001820	S.DIO LRB706F-40T1G	T	45.8/35.7
D621	1750001820	S.DIO LRB706F-40T1G	T	66.4/172.7
D622	1750001820	S.DIO LRB706F-40T1G	T	62.1/172.7
D691	1750001810	S.DIO L1SS400T1G	T	21.1/162.2
D711	1750001810	S.DIO L1SS400T1G	T	22.4/162.2
D721	1750002130	S.ZEN DZ2J062MOL	T	93.7/154.8
D722	1750001810	S.DIO L1SS400T1G	T	90.6/154.8
D801	1750001810	S.DIO L1SS400T1G	T	27.1/162.5
D821	1750001810	S.DIO L1SS400T1G	T	29.4/183.0
D841	1750001820	S.DIO LRB706F-40T1G	T	15.5/178.2
D851	1750001820	S.DIO LRB706F-40T1G	T	15.5/168.5
D1231	1790001621	S.DIO 1SV308 (TPL3F)	T	107.7/123.7
Eqv.	1790001622	S.DIO 1SV308L3F		
D1232	1790001621	S.DIO 1SV308 (TPL3F)	T	104.9/129.4
Eqv.	1790001622	S.DIO 1SV308L3F		
D1251	1790003070	S.DIO BAP70Q	T	105.6/118.7
D1273	1790001621	S.DIO 1SV308 (TPL3F)	T	97.0/108.2
Eqv.	1790001622	S.DIO 1SV308L3F		
FI1221	2010002660	S.XTA FL-391 (124.032 MHz)	T	63.6/128.2
X301	6050014170	S.XTA CR-1017 (48.000 MHz)	T	60.6/24.4
X621	6050014180	S.XTA CR-1019 (6.000 MHz)	T	67.4/163.7
X661	6050014190	S.XTA CR-1020 (12.000 MHz)	T	54.9/141.8
X901	6050014200	S.XTA CR-1021 (12.288 MHz)	T	107.2/66.4
X1201	6050013360	S.XTA CR-932 (41.344 MHz)	T	50.0/78.2
L221	6200014470	S.COI LQH44PN100MP0L	T	35.2/45.0
L222	6190002110	S.COI 7E03LA-2R7N-RB-0231	T	33.4/55.5
L251	6180003501	S.COI SLF6028T-100M1R3-PF	T	16.1/51.2
L252	6200014470	S.COI LQH44PN100MP0L	T	14.1/41.6
L261	6200014470	S.COI LQH44PN100MP0L	T	5.1/42.4
L262	6180003501	S.COI SLF6028T-100M1R3-PF	T	9.1/50.8
L263	6200014470	S.COI LQH44PN100MP0L	T	9.1/58.6
L721	6200014460	S.COI SLF1255T-680M1R3-PF	T	80.0/156.5
L731	6200014430	S.COI YC12575T*330MS	T	95.5/145.8
L732	6200014430	S.COI YC12575T*330MS	T	104.9/159.0
L1231	6200016010	S.COI NLFV25T-101K-PF	T	101.1/123.4
L1232	6200016010	S.COI NLFV25T-101K-PF	T	104.7/121.9
L1233	6200016010	S.COI NLFV25T-101K-PF	T	101.8/127.7
L1251	6200016010	S.COI NLFV25T-101K-PF	T	110.7/122.1
L1252	6200016010	S.COI NLFV25T-101K-PF	T	110.7/119.6
L1253	6200016010	S.COI NLFV25T-101K-PF	T	110.7/117.1
L1261	6140004680	S.COI LR-528 4KBL	T	109.2/111.1
L1273	6200011410	S.COI C2520C-82NG-A	T	96.7/110.8
L1281	6200011680	S.COI LQW18ANR12G00D	T	97.2/129.4
L1282	6200011680	S.COI LQW18ANR12G00D	T	95.5/128.7
L1331	6140005470	S.COI LR-592 4KBL-S130709	T	86.5/122.7
R4	7030004980	S.RES ERJ2GEJ 101 X (100)	T	22.3/90.7
R10	7030004980	S.RES ERJ2GEJ 101 X (100)	T	22.3/96.1
R12	7030004980	S.RES ERJ2GEJ 101 X (100)	T	22.3/97.9
R13	7030004980	S.RES ERJ2GEJ 101 X (100)	T	22.3/98.8
R15	7030004980	S.RES ERJ2GEJ 101 X (100)	T	21.7/100.6
R16	7030009530	S.RES ERJ2GEJ 270 X (27)	T	21.7/101.5
R17	7030009530	S.RES ERJ2GEJ 270 X (27)	T	21.7/102.4
R18	7030009530	S.RES ERJ2GEJ 270 X (27)	T	21.7/103.3
R24	7030004980	S.RES ERJ2GEJ 101 X (100)	T	23.6/127.6
R25	7030004980	S.RES ERJ2GEJ 101 X (100)	T	23.6/126.7
R26	7030009530	S.RES ERJ2GEJ 270 X (27)	T	23.6/125.8
R27	7030009530	S.RES ERJ2GEJ 270 X (27)	T	23.6/124.9
R28	7030004980	S.RES ERJ2GEJ 101 X (100)	T	23.6/124.0

Eqv.= This component is equivalent to the REF No. component listed above, and may be substituted on parts orders and repairs.

M.=Mounted side (T: Mounted on the Top side, B: Mounted on the Bottom side)
H/V LOCATION=See the BOARD LAYOUTS for details.

[MAIN UNIT]

REF NO.	PART NO.	DESCRIPTION	M.	H/V LOCATION
R29	7030009530	S.RES ERJ2GEJ 270 X (27)	T	23.6/123.1
R30	7030004980	S.RES ERJ2GEJ 101 X (100)	T	23.2/122.2
R31	7030004980	S.RES ERJ2GEJ 101 X (100)	T	22.8/121.3
R40	7030004980	S.RES ERJ2GEJ 101 X (100)	T	35.0/78.4
R41	7030004980	S.RES ERJ2GEJ 101 X (100)	T	34.4/80.0
R45	7030005000	S.RES ERJ2GEJ 471 X (470)	T	15.8/77.3
R53	7030004980	S.RES ERJ2GEJ 101 X (100)	T	13.3/31.4
R54	7030004980	S.RES ERJ2GEJ 101 X (100)	T	13.3/30.5
R55	7030004980	S.RES ERJ2GEJ 101 X (100)	T	13.3/29.6
R56	7030004980	S.RES ERJ2GEJ 101 X (100)	T	13.3/28.7
R57	7030004980	S.RES ERJ2GEJ 101 X (100)	T	13.3/27.8
R64	7030004980	S.RES ERJ2GEJ 101 X (100)	T	14.3/19.1
R71	7030004980	S.RES ERJ2GEJ 101 X (100)	T	25.8/13.0
R72	7030004980	S.RES ERJ2GEJ 101 X (100)	T	26.3/7.0
R73	7030004980	S.RES ERJ2GEJ 101 X (100)	T	26.8/13.0
R74	7030004980	S.RES ERJ2GEJ 101 X (100)	T	27.3/7.0
R75	7030009530	S.RES ERJ2GEJ 270 X (27)	T	28.3/16.3
R78	7030004980	S.RES ERJ2GEJ 101 X (100)	T	29.3/6.3
R79	7030010040	S.RES ERJ2GEJ-JPW	T	29.9/16.3
R80	7030009530	S.RES ERJ2GEJ 270 X (27)	T	30.4/3.9
R81	7030009530	S.RES ERJ2GEJ 270 X (27)	T	31.1/16.3
R82	7030009530	S.RES ERJ2GEJ 270 X (27)	T	31.6/3.9
R83	7030009530	S.RES ERJ2GEJ 270 X (27)	T	32.3/16.3
R84	7030009530	S.RES ERJ2GEJ 270 X (27)	T	32.8/3.9
R85	7030009530	S.RES ERJ2GEJ 270 X (27)	T	33.5/16.3
R86	7030009530	S.RES ERJ2GEJ 270 X (27)	T	34.0/3.9
R87	7030009530	S.RES ERJ2GEJ 270 X (27)	T	34.7/16.3
R88	7030009530	S.RES ERJ2GEJ 270 X (27)	T	35.2/3.9
R89	7030009530	S.RES ERJ2GEJ 270 X (27)	T	35.9/16.3
R90	7030009530	S.RES ERJ2GEJ 270 X (27)	T	36.4/3.9
R91	7030009530	S.RES ERJ2GEJ 270 X (27)	T	37.1/16.3
R92	7030009530	S.RES ERJ2GEJ 270 X (27)	T	37.6/3.9
R93	7030009530	S.RES ERJ2GEJ 270 X (27)	T	38.3/16.3
R94	7030009530	S.RES ERJ2GEJ 270 X (27)	T	38.8/3.9
R95	7030009530	S.RES ERJ2GEJ 270 X (27)	T	39.5/16.3
R101	7030004980	S.RES ERJ2GEJ 101 X (100)	T	80.1/4.3
R102	7030004980	S.RES ERJ2GEJ 101 X (100)	T	80.2/10.1
R103	7030009530	S.RES ERJ2GEJ 270 X (27)	T	81.1/4.3
R104	7030009530	S.RES ERJ2GEJ 270 X (27)	T	82.0/10.1
R105	7030009530	S.RES ERJ2GEJ 270 X (27)	T	83.7/10.1
R107	7030009530	S.RES ERJ2GEJ 270 X (27)	T	84.1/4.3
R108	7030009530	S.RES ERJ2GEJ 270 X (27)	T	87.1/8.5
R109	7030009530	S.RES ERJ2GEJ 270 X (27)	T	85.1/4.3
R110	7410001340	S.ARR EXB28V473JX	T	76.5/7.5
R111	7410001340	S.ARR EXB28V473JX	T	90.8/10.1
R112	7030005240	S.RES ERJ2GEJ 473 X (47 k)	T	69.8/7.5
R113	7030005120	S.RES ERJ2GEJ 102 X (1 k)	T	68.8/7.5
R121	7410001230	S.ARR EXB28V101JX	T	52.7/66.5
R122	7410001230	S.ARR EXB28V101JX	T	52.6/63.4
R123	7410001230	S.ARR EXB28V101JX	T	52.6/60.9
R125	7030004980	S.RES ERJ2GEJ 101 X (100)	T	26.1/68.6
R127	7030004980	S.RES ERJ2GEJ 101 X (100)	T	30.8/68.3
R131	7030006610	S.RES ERJ2GEJ 394 X (390 k)	T	25.4/70.1
R132	7030005090	S.RES ERJ2GEJ 104 X (100 k)	T	24.5/71.0
R133	7030005090	S.RES ERJ2GEJ 104 X (100 k)	T	25.4/71.0
R134	7030004980	S.RES ERJ2GEJ 101 X (100)	T	24.2/69.6
R135	7030004980	S.RES ERJ2GEJ 101 X (100)	T	36.5/74.4
R136	7030004980	S.RES ERJ2GEJ 101 X (100)	T	31.9/72.9
R137	7030005090	S.RES ERJ2GEJ 104 X (100 k)	T	35.1/70.6
R138	7030004980	S.RES ERJ2GEJ 101 X (100)	T	31.8/74.1
R139	7030005090	S.RES ERJ2GEJ 104 X (100 k)	T	36.5/75.8
R151	7030004980	S.RES ERJ2GEJ 101 X (100)	T	24.7/73.5
R152	7030005240	S.RES ERJ2GEJ 473 X (47 k)	T	31.1/76.3
R153	7030005040	S.RES ERJ2GEJ 472 X (4.7 k)	T	31.1/77.9
R154	7030007340	S.RES ERJ2GEJ 153 X (15 k)	T	30.2/77.9
R155	7030005120	S.RES ERJ2GEJ 102 X (1 k)	T	23.1/77.8
R156	7030005050	S.RES ERJ2GEJ 103 X (10 k)	T	23.6/79.9
R157	7030008290	S.RES ERJ2GEJ 183 X (18 k)	T	23.1/78.7
R158	7030005090	S.RES ERJ2GEJ 104 X (100 k)	T	30.2/76.3
R159	7030004980	S.RES ERJ2GEJ 101 X (100)	T	22.5/74.6
R160	7030004980	S.RES ERJ2GEJ 101 X (100)	T	27.3/74.8
R202	7030010040	S.RES ERJ2GEJ-JPW	T	27.1/60.5
R203	7030005050	S.RES ERJ2GEJ 103 X (10 k)	T	26.2/60.5
R204	7030010080	S.RES ERJ2RHD 1003X (100 k)	T	23.5/44.7
R205	7030013680	S.RES ERJ2RHD 3902X (39 k)	T	23.5/46.3
R221	7030010040	S.RES ERJ2GEJ-JPW	T	36.5/49.3
R223	7030005050	S.RES ERJ2GEJ 103 X (10 k)	T	34.6/48.4
R225	7030005681	S.RES ERA3YKD 473V (47 k)	T	34.7/53.2
R226	7030010080	S.RES ERJ2RHD 1003X (100 k)	T	36.7/57.2
R241	7030005050	S.RES ERJ2GEJ 103 X (10 k)	T	63.7/4.5
R242	7030005050	S.RES ERJ2GEJ 103 X (10 k)	T	63.3/7.6
R243	7030005000	S.RES ERJ2GEJ 471 X (470)	T	62.3/7.6
R251	7030010040	S.RES ERJ2GEJ-JPW	T	17.1/60.4
R253	7030012260	S.RES ERJ2RKD 4703X (470 k)	T	14.0/44.6
R254	7030013680	S.RES ERJ2RHD 3902X (39 k)	T	14.0/46.4
R255	7030010080	S.RES ERJ2RHD 1003X (100 k)	T	14.0/47.3
R262	7030010040	S.RES ERJ2GEJ-JPW	T	7.9/41.5
R263	7030007051	S.RES ERA3YKD 513V (51 k)	T	12.5/59.3
R264	7030010040	S.RES ERJ2GEJ-JPW	T	12.1/57.3
R265	7030014250	S.RES ERJ2RKFP603X (560 k)	T	12.1/56.4
R271	7030014120	S.RES LTR50U2PJ6R8	T	2.6/32.2
R276	7030013960	S.RES LTR50U2PJ100	T	22.3/17.9
R302	7030005050	S.RES ERJ2GEJ 103 X (10 k)	T	101.0/22.5
R303	7030005050	S.RES ERJ2GEJ 103 X (10 k)	T	101.0/40.0
R304	7030005050	S.RES ERJ2GEJ 103 X (10 k)	T	90.0/46.5
R305	7030005240	S.RES ERJ2GEJ 473 X (47 k)	T	84.5/49.2
R308	7030005240	S.RES ERJ2GEJ 473 X (47 k)	T	82.0/49.2
R309	7030005240	S.RES ERJ2GEJ 473 X (47 k)	T	80.8/49.3
R310	7030005240	S.RES ERJ2GEJ 473 X (47 k)	T	80.8/48.4
R311	7030005050	S.RES ERJ2GEJ 103 X (10 k)	T	70.4/12.0
R312	7030005050	S.RES ERJ2GEJ 103 X (10 k)	T	64.0/21.9
R313	7030005050	S.RES ERJ2GEJ 103 X (10 k)	T	65.9/24.6
R314	7030009290	S.RES ERJ2GEJ 562 X (5.6 k)	T	65.9/28.2
R315	7030005050	S.RES ERJ2GEJ 103 X (10 k)	T	65.7/37.4

[MAIN UNIT]

REF NO.	PART NO.	DESCRIPTION	M.	H/V LOCATION
R317	7030005000	S.RES ERJ2GEJ 471 X (470)	T	62.6/23.5
R351	7030005040	S.RES ERJ2GEJ 472 X (4.7 k)	T	104.0/23.5
R352	7030005040	S.RES ERJ2GEJ 472 X (4.7 k)	T	105.0/23.5
R361	7030005240	S.RES ERJ2GEJ 473 X (47 k)	T	96.6/12.3
R362	7030005720	S.RES ERJ2GEJ 563 X (56 k)	T	92.7/10.0
R363	7030005220	S.RES ERJ2GEJ 223 X (22 k)	T	93.7/10.0
R371	7030005050	S.RES ERJ2GEJ 103 X (10 k)	T	55.3/31.1
R372	7030005070	S.RES ERJ2GEJ 683 X (68 k)	T	57.5/28.7
R373	7030009290	S.RES ERJ2GEJ 562 X (5.6 k)	T	55.7/29.7
R382	7030007300	S.RES ERJ2GEJ 332 X (3.3 k)	T	100.1/7.6
R383	7030005040	S.RES ERJ2GEJ 472 X (4.7 k)	T	100.1/9.9
R384	7030005040	S.RES ERJ2GEJ 472 X (4.7 k)	T	100.1/10.8
R385	7030005240	S.RES ERJ2GEJ 473 X (47 k)	T	100.1/11.7
R391	7410001340	S.ARR EXB28V473JX	T	108.8/39.3
R392	7410001340	S.ARR EXB28V473JX	T	100.6/43.9
R401	7410001340	S.ARR EXB28V473JX	T	107.2/26.5
R431	7030005120	S.RES ERJ2GEJ 102 X (1 k)	T	64.1/50.5
R432	7030005120	S.RES ERJ2GEJ 102 X (1 k)	T	68.0/49.0
R433	7030005240	S.RES ERJ2GEJ 473 X (47 k)	T	65.8/49.6
R434	7030005240	S.RES ERJ2GEJ 473 X (47 k)	T	64.1/49.6
R435	7030005240	S.RES ERJ2GEJ 473 X (47 k)	T	90.1/50.2
R437	7030005240	S.RES ERJ2GEJ 473 X (47 k)	T	91.0/50.2
R438	7030005240	S.RES ERJ2GEJ 473 X (47 k)	T	99.3/42.0
R439	7030005240	S.RES ERJ2GEJ 473 X (47 k)	T	101.0/21.5
R441	7410001220	S.ARR EXB28V103JX	T	86.6/49.3
R442	7030005240	S.RES ERJ2GEJ 473 X (47 k)	T	65.9/52.9
R451	7410001130	S.ARR EXB28V102JX	T	54.8/40.0
R452	7410001340	S.ARR EXB28V473JX	T	54.8/43.7
R453	7410001130	S.ARR EXB28V102JX	T	52.3/40.0
R454	7410001130	S.ARR EXB28V102JX	T	52.3/43.7
R455	7030013140	S.RES ERJ2RKF 1001X (1 k)	T	50.5/41.9
R456	7030012490	S.RES ERJ2RKF 4701X (4.7 k)	T	50.5/40.1
R491	7410001220	S.ARR EXB28V103JX	T	104.6/16.3
R492	7030005090	S.RES ERJ2GEJ 104 X (100 k)	T	104.6/14.5
R493	7030005050	S.RES ERJ2GEJ 103 X (10 k)	T	112.4/16.7
R501	7410001140	S.ARR EXB28V104JX	T	78.7/51.7
R502	7030005240	S.RES ERJ2GEJ 473 X (47 k)	T	67.5/52.9
R503	7410001140	S.ARR EXB28V104JX	T	74.8/51.4
R504	7030005240	S.RES ERJ2GEJ 473 X (47 k)	T	84.5/51.4
R505	7410001140	S.ARR EXB28V104JX	T	72.2/51.4
R506	7030005240	S.RES ERJ2GEJ 473 X (47 k)	T	98.7/44.0
R507	7410001140	S.ARR EXB28V104JX	T	91.2/52.1
R508	7410001140	S.ARR EXB28V104JX	T	98.7/51.9
R511	7030007250	S.RES ERJ2GEJ 220 X (22)	T	95.4/52.5
R512	7030007250	S.RES ERJ2GEJ 220 X (22)	T	96.3/52.5
R601	7030005120	S.RES ERJ2GEJ 102 X (1 k)	T	58.5/173.5
R621	7030009530	S.RES ERJ2GEJ 270 X (27)	T	64.3/172.7
R622	7030009530	S.RES ERJ2GEJ 270 X (27)	T	60.0/172.7
R623	7030005090	S.RES ERJ2GEJ 104 X (100 k)	T	58.5/172.5
R624	7030005030	S.RES ERJ2GEJ 152 X (1.5 k)	T	64.7/170.9
R625	7030005030	S.RES ERJ2GEJ 152 X (1.5 k)	T	61.1/163.6
R626	7030005160	S.RES ERJ2GEJ 105 X (1 M)	T	54.1/165.4
R627	7030007340	S.RES ERJ2GEJ 153 X (15 k)	T	60.1/166.0
R628	7030007340	S.RES ERJ2GEJ 153 X (15 k)	T	50.1/164.0
R629	7030009530	S.RES ERJ2GEJ 270 X (27)	T	51.5/165.5
R630	7030009530	S.RES ERJ2GEJ 270 X (27)	T	51.5/164.5
R631	7030009530	S.RES ERJ2GEJ 270 X (27)	T	59.0/158.0
R632	7030007340	S.RES ERJ2GEJ 153 X (15 k)	T	58.5/156.6
R633	7030009530	S.RES ERJ2GEJ 270 X (27)	T	60.0/158.0
R634	7030007340	S.RES ERJ2GEJ 153 X (15 k)	T	60.4/156.6
R635	7030005030	S.RES ERJ2GEJ 152 X (1.5 k)	T	54.3/156.6
R641	7030005050	S.RES ERJ2GEJ 103 X (10 k)	T	44.6/166.2
R642	7030005040	S.RES ERJ2GEJ 472 X (4.7 k)	T	44.6/165.2
R643	7030005050	S.RES ERJ2GEJ 103 X (10 k)	T	41.0/158.2
R644	7030005050	S.RES ERJ2GEJ 103 X (10 k)	T	45.2/158.2
R645	7030005240	S.RES ERJ2GEJ 473 X (47 k)	T	55.1/172.3
R646	7030005240	S.RES ERJ2GEJ 473 X (47 k)	T	40.7/167.3
R647	7030007250	S.RES ERJ2GEJ 220 X (22)	T	43.6/154.3
R648	7030007250	S.RES ERJ2GEJ 220 X (22)	T	42.6/154.3
R649	7030005240	S.RES ERJ2GEJ 473 X (47 k)	T	45.2/153.4
R650	7030005240	S.RES ERJ2GEJ 473 X (47 k)	T	42.6/152.5
R651	7030005090	S.RES ERJ2GEJ 104 X (100 k)	T	42.6/156.1
R652	7030005090	S.RES ERJ2GEJ 104 X (100 k)	T	43.6/156.1
R653	7030007250	S.RES ERJ2GEJ 220 X (22)	T	45.2/157.0
R654	7030007250	S.RES ERJ2GEJ 220 X (22)	T	41.0/157.0
R661	7030005160	S.RES ERJ2GEJ 105 X (1 M)	T	49.7/160.3
R662	7030005120	S.RES ERJ2GEJ 102 X (1 k)	T	54.0/143.9
R663	7030005160	S.RES ERJ2GEJ 105 X (1 M)	T	54.0/144.

[MAIN UNIT]

Table with columns: REF NO., PART NO., DESCRIPTION, M., H/V LOCATION. Contains parts R725 to R1011 with various descriptions and locations.

[MAIN UNIT]

Table with columns: REF NO., PART NO., DESCRIPTION, M., H/V LOCATION. Contains parts R1012 to R1401 and C1 to C19 with various descriptions and locations.

Eqv.= This component is equivalent to the REF No. component listed above, and may be substituted on parts orders and repairs.

M.=Mounted side (T: Mounted on the Top side, B: Mounted on the Bottom side)
H/V LOCATION=See the BOARD LAYOUTS for details.

[MAIN UNIT]

REF NO.	PART NO.	DESCRIPTION		M.	H/V LOCATION
C20	4510010570	S.ELE	16 CE 470 LX	T	45.0/41.5
C21	4030019990	S.CER	C1005 JB 1C 104K-T	T	24.6/131.1
C22	4030019990	S.CER	C1005 JB 1C 104K-T	T	25.3/129.9
C23	4030019990	S.CER	C1005 JB 1C 104K-T	T	25.3/128.7
C24	4030017460	S.CER	C1005 JB 1H 102K-T	T	25.8/127.6
C25	4030017460	S.CER	C1005 JB 1H 102K-T	T	25.8/126.7
C26	4030017400	S.CER	C1005 CH 1H 220J-T	T	25.8/125.8
C27	4030017400	S.CER	C1005 CH 1H 220J-T	T	25.8/124.9
C28	4030017460	S.CER	C1005 JB 1H 102K-T	T	25.8/124.0
C29	4030017400	S.CER	C1005 CH 1H 220J-T	T	25.8/123.1
C30	4030017460	S.CER	C1005 JB 1H 102K-T	T	25.4/122.2
C31	4030017460	S.CER	C1005 JB 1H 102K-T	T	25.0/121.3
C32	4030017460	S.CER	C1005 JB 1H 102K-T	T	25.0/120.4
C33	4030017460	S.CER	C1005 JB 1H 102K-T	T	24.2/119.5
C34	4030017460	S.CER	C1005 JB 1H 102K-T	T	24.2/118.6
C35	4030017460	S.CER	C1005 JB 1H 102K-T	T	24.2/117.7
C36	4030017460	S.CER	C1005 JB 1H 102K-T	T	24.2/116.8
C37	4030017460	S.CER	C1005 JB 1H 102K-T	T	23.8/115.9
C38	4030017460	S.CER	C1005 JB 1H 102K-T	T	23.8/115.0
C39	4030017460	S.CER	C1005 JB 1H 102K-T	T	23.6/114.1
C45	4510010570	S.ELE	16 CE 470 LX	T	18.6/67.4
C46	4030019990	S.CER	C1005 JB 1C 104K-T	T	13.4/70.8
C48	4030016790	S.CER	C1005 JB 1E 103K-T	T	17.3/76.8
C49	4030019990	S.CER	C1005 JB 1C 104K-T	T	19.2/75.8
C51	4030019990	S.CER	C1005 JB 1C 104K-T	T	15.7/35.7
C52	4030019990	S.CER	C1005 JB 1C 104K-T	T	15.7/33.4
C53	4030017460	S.CER	C1005 JB 1H 102K-T	T	15.5/31.4
C54	4030017460	S.CER	C1005 JB 1H 102K-T	T	15.5/30.5
C55	4030017460	S.CER	C1005 JB 1H 102K-T	T	15.5/29.6
C56	4030017460	S.CER	C1005 JB 1H 102K-T	T	15.5/28.7
C57	4030017460	S.CER	C1005 JB 1H 102K-T	T	15.5/27.8
C58	4030017430	S.CER	C1005 CH 1H 101J-T	T	15.9/25.4
C59	4030017430	S.CER	C1005 CH 1H 101J-T	T	15.9/24.5
C60	4030017430	S.CER	C1005 CH 1H 101J-T	T	16.5/23.2
C61	4030017430	S.CER	C1005 CH 1H 101J-T	T	16.5/22.3
C62	4030017430	S.CER	C1005 CH 1H 101J-T	T	16.5/21.4
C63	4030017430	S.CER	C1005 CH 1H 101J-T	T	16.5/20.2
C64	4030017460	S.CER	C1005 JB 1H 102K-T	T	16.5/19.1
C71	4030017460	S.CER	C1005 JB 1H 102K-T	T	25.8/15.1
C72	4030017400	S.CER	C1005 CH 1H 220J-T	T	26.3/4.8
C73	4030017400	S.CER	C1005 CH 1H 220J-T	T	26.8/15.1
C74	4030017460	S.CER	C1005 JB 1H 102K-T	T	27.3/4.8
C96	4030019990	S.CER	C1005 JB 1C 104K-T	T	41.8/17.0
C97	4030019990	S.CER	C1005 JB 1C 104K-T	T	42.3/3.0
C98	4030019990	S.CER	C1005 JB 1C 104K-T	T	44.3/2.8
C106	4030019990	S.CER	C1005 JB 1C 104K-T	T	82.7/4.8
C111	4030019120	S.CER	GRM188B31E105KA75D	T	71.0/7.5
C121	4030019990	S.CER	C1005 JB 1C 104K-T	T	61.0/60.0
C122	4030019990	S.CER	C1005 JB 1C 104K-T	T	57.0/60.0
C125	4030019990	S.CER	C1005 JB 1C 104K-T	T	27.0/67.7
C135	4030019990	S.CER	C1005 JB 1C 104K-T	T	36.5/72.8
C141	4030019990	S.CER	C1005 JB 1C 104K-T	T	59.2/49.7
C151	4030019990	S.CER	C1005 JB 1C 104K-T	T	25.6/74.9
C201	4030019560	S.CER	GRM21BB31C106KE15L	T	28.1/55.8
C202	4030019560	S.CER	GRM21BB31C106KE15L	T	29.9/55.8
C203	4030019120	S.CER	GRM188B31E105KA75D	T	24.5/60.7
C204	4030019560	S.CER	GRM21BB31C106KE15L	T	26.1/41.1
C205	4030019560	S.CER	GRM21BB31C106KE15L	T	26.1/42.9
C206	4030019560	S.CER	GRM21BB31C106KE15L	T	26.1/44.7
C207	4030019560	S.CER	GRM21BB31C106KE15L	T	26.1/46.5
C208	4030017620	S.CER	C1005 CH 1H 100C-T	T	22.6/44.7
C211	4030019120	S.CER	GRM188B31E105KA75D	T	29.6/47.7
C212	4030019620	S.CER	GRM188B31C225KE14D	T	32.3/44.9
C216	4030019120	S.CER	GRM188B31E105KA75D	T	30.6/42.8
C217	4030019620	S.CER	GRM188B31C225KE14D	T	34.1/40.7
C221	4030019560	S.CER	GRM21BB31C106KE15L	T	32.0/49.7
C222	4030019560	S.CER	GRM21BB31C106KE15L	T	30.5/53.2
C223	4030019560	S.CER	GRM21BB31C106KE15L	T	36.6/55.1
C231	4030019120	S.CER	GRM188B31E105KA75D	T	66.4/92.3
C232	4030019120	S.CER	GRM188B31E105KA75D	T	61.1/92.3
C241	4030019120	S.CER	GRM188B31E105KA75D	T	69.7/4.5
C242	4030019990	S.CER	C1005 JB 1C 104K-T	T	64.7/4.5
C243	4510010460	ELE	DXN-5R5H334U	T	
C251	4030020190	S.CER	GRM32EB31C476KE15L	T	20.2/57.0
C252	4030019120	S.CER	GRM188B31E105KA75D	T	15.4/60.5
C253	4030020190	S.CER	GRM32EB31C476KE15L	T	18.7/46.1
C254	4030020190	S.CER	GRM32EB31C476KE15L	T	18.7/43.1
C255	4030017620	S.CER	C1005 CH 1H 100C-T	T	14.0/45.5
C256	4030020190	S.CER	GRM32EB31C476KE15L	T	18.7/40.1
C257	4510010570	S.ELE	16 CE 470 LX	T	36.0/25.7
C261	4030019560	S.CER	GRM21BB31C106KE15L	T	4.1/46.6
C262	4030019560	S.CER	GRM21BB31C106KE15L	T	5.9/46.6
C263	4030019120	S.CER	GRM188B31E105KA75D	T	10.5/41.3
C264	4030019560	S.CER	GRM21BB31C106KE15L	T	5.3/55.0
C265	4030019560	S.CER	GRM21BB31C106KE15L	T	4.9/52.3
C266	4030019560	S.CER	GRM21BB31C106KE15L	T	5.3/58.6
C267	4030019560	S.CER	GRM21BB31C106KE15L	T	5.3/56.8
C268	4030017620	S.CER	C1005 CH 1H 100C-T	T	12.1/58.2
C271	4030019560	S.CER	GRM21BB31C106KE15L	T	2.6/20.9
C272	4030019620	S.CER	GRM188B31C225KE14D	T	3.9/10.2
C273	4030019990	S.CER	C1005 JB 1C 104K-T	T	3.6/19.3
C274	4030019990	S.CER	C1005 JB 1C 104K-T	T	3.6/11.3
C275	4510010570	S.ELE	16 CE 470 LX	T	21.0/146.4
C276	4030019560	S.CER	GRM21BB31C106KE15L	T	18.6/16.6
C277	4030019990	S.CER	C1005 JB 1C 104K-T	T	19.2/15.2
C278	4030019620	S.CER	GRM188B31C225KE14D	T	15.3/15.6
C279	4030019990	S.CER	C1005 JB 1C 104K-T	T	16.5/15.1
C301	4030019560	S.CER	GRM21BB31C106KE15L	T	66.7/15.4
C302	4030019990	S.CER	C1005 JB 1C 104K-T	T	101.0/23.5
C303	4030019990	S.CER	C1005 JB 1C 104K-T	T	101.0/24.5
C304	4030019990	S.CER	C1005 JB 1C 104K-T	T	101.0/26.7
C305	4030019990	S.CER	C1005 JB 1C 104K-T	T	101.0/27.6
C306	4030019990	S.CER	C1005 JB 1C 104K-T	T	101.0/29.7
C307	4030019990	S.CER	C1005 JB 1C 104K-T	T	101.0/31.4

[MAIN UNIT]

REF NO.	PART NO.	DESCRIPTION		M.	H/V LOCATION
C308	4030019990	S.CER	C1005 JB 1C 104K-T	T	101.0/33.2
C309	4030019990	S.CER	C1005 JB 1C 104K-T	T	101.8/34.1
C310	4030019990	S.CER	C1005 JB 1C 104K-T	T	101.4/35.7
C311	4030019990	S.CER	C1005 JB 1C 104K-T	T	101.0/41.1
C312	4030019560	S.CER	GRM21BB31C106KE15L	T	64.6/44.0
C313	4030019990	S.CER	C1005 JB 1C 104K-T	T	94.4/12.0
C314	4030019990	S.CER	C1005 JB 1C 104K-T	T	94.1/47.5
C315	4030019990	S.CER	C1005 JB 1C 104K-T	T	92.8/47.4
C316	4030019990	S.CER	C1005 JB 1C 104K-T	T	92.4/12.0
C317	4030019990	S.CER	C1005 JB 1C 104K-T	T	89.7/12.0
C318	4030019990	S.CER	C1005 JB 1C 104K-T	T	88.8/47.4
C319	4030019990	S.CER	C1005 JB 1C 104K-T	T	87.6/12.0
C320	4030019990	S.CER	C1005 JB 1C 104K-T	T	87.2/47.4
C321	4030019990	S.CER	C1005 JB 1C 104K-T	T	84.6/47.4
C322	4030019990	S.CER	C1005 JB 1C 104K-T	T	84.0/12.0
C323	4030019990	S.CER	C1005 JB 1C 104K-T	T	82.8/47.4
C324	4030019990	S.CER	C1005 JB 1C 104K-T	T	82.4/12.0
C325	4030019990	S.CER	C1005 JB 1C 104K-T	T	81.4/47.2
C326	4030019990	S.CER	C1005 JB 1C 104K-T	T	79.0/12.0
C327	4030019990	S.CER	C1005 JB 1C 104K-T	T	77.2/12.0
C328	4030019990	S.CER	C1005 JB 1C 104K-T	T	77.6/47.2
C329	4030019990	S.CER	C1005 JB 1C 104K-T	T	76.4/47.4
C330	4030019990	S.CER	C1005 JB 1C 104K-T	T	74.6/12.0
C331	4030019990	S.CER	C1005 JB 1C 104K-T	T	71.6/12.0
C332	4030019990	S.CER	C1005 JB 1C 104K-T	T	71.6/47.2
C333	4030019990	S.CER	C1005 JB 1C 104K-T	T	70.0/47.2
C334	4030019990	S.CER	C1005 JB 1C 104K-T	T	64.0/19.4
C335	4030019990	S.CER	C1005 JB 1C 104K-T	T	64.0/20.5
C336	4030019990	S.CER	C1005 JB 1C 104K-T	T	64.0/22.8
C337	4030019990	S.CER	C1005 JB 1C 104K-T	T	64.0/23.7
C338	4030019990	S.CER	C1005 JB 1C 104K-T	T	64.0/26.4
C339	4030019990	S.CER	C1005 JB 1C 104K-T	T	64.0/27.5
C340	4030019990	S.CER	C1005 JB 1C 104K-T	T	64.0/28.5
C341	4030019990	S.CER	C1005 JB 1C 104K-T	T	64.0/29.4
C342	4030019990	S.CER	C1005 JB 1C 104K-T	T	65.9/31.0
C343	4030019990	S.CER	C1005 JB 1C 104K-T	T	65.9/32.1
C344	4030019990	S.CER	C1005 JB 1C 104K-T	T	65.9/33.3
C345	4030019990	S.CER	C1005 JB 1C 104K-T	T	65.3/34.2
C346	4030019990	S.CER	C1005 JB 1C 104K-T	T	65.7/36.4
C347	4030017640	S.CER	C1005 CH 1H 150J-T	T	58.6/23.5
C348	4030017640	S.CER	C1005 CH 1H 150J-T	T	58.6/25.3
C351	4030019990	S.CER	C1005 JB 1C 104K-T	T	107.0/21.1
C361	4030021250	S.CER	C1005 JB 1A 334K-T	T	96.2/7.9
C362	4030019990	S.CER	C1005 JB 1C 104K-T	T	94.7/10.0
C371	4030017920	S.CER	C1005 JB 1A 683K-T	T	59.4/31.1
C372	4030019990	S.CER	C1005 JB 1C 104K-T	T	57.5/29.7
C383	4030019120	S.CER	GRM188B31E105KA75D	T	103.2/8.3
C391	4030019990	S.CER	C1005 JB 1C 104K-T	T	106.9/40.2
C401	4030017440	S.CER	C1005 CH 1H 221J-T	T	62.0/13.8
C402	4030017440	S.CER	C1005 CH 1H 221J-T	T	66.0/11.8
C403	4030017440	S.CER	C1005 CH 1H 221J-T	T	62.0/14.8
C404	4030017440	S.CER	C1005 CH 1H 221J-T	T	66.0/9.8
C405	4030017440	S.CER	C1005 CH 1H 221J-T	T	62.0/15.8
C406	4030017440	S.CER	C1005 CH 1H 221J-T	T	62.0/10.8
C407	4030017440	S.CER	C1005 CH 1H 221J-T	T	80.6/12.0
C408	4030017440	S.CER	C1005 CH 1H 221J-T	T	62.0/11.8
C409	4030017440	S.CER	C1005 CH 1H 221J-T	T	66.0/10.8
C410	4030017440	S.CER	C1005 CH 1H 221J-T	T	62.0/12.8
C411	4030017440	S.CER	C1005 CH 1H 221J-T	T	76.8/10.8
C412	4030017440	S.CER	C1005 CH 1H 221J-T	T	75.0/10.8
C413	4030017440	S.CER	C1005 CH 1H 221J-T	T	76.2/12.0
C414	40300174				

[MAIN UNIT]

REF NO.	PART NO.	DESCRIPTION	M.	H/V LOCATION
C669	4030019990	S.CER C1005 JB 1C 104K-T	T	49.6/151.0
C670	4030017650	S.CER C1005 CH 1H 270J-T	T	55.8/144.9
C671	4030019990	S.CER C1005 JB 1C 104K-T	T	52.2/145.5
C672	4030019560	S.CER GRM21BB31C106KE15L	T	50.8/144.1
C673	4030019560	S.CER GRM21BB31C106KE15L	T	50.8/142.3
C674	4030019560	S.CER GRM21BB31C106KE15L	T	48.4/147.7
C675	4030019120	S.CER GRM188B31E105KA75D	T	49.3/157.4
C676	4030019990	S.CER C1005 JB 1C 104K-T	T	51.5/159.3
C681	4030019990	S.CER C1005 JB 1C 104K-T	T	38.7/148.9
C682	4030019560	S.CER GRM21BB31C106KE15L	T	42.9/147.4
C683	4030019560	S.CER GRM21BB31C106KE15L	T	37.1/150.7
C692	4030017460	S.CER C1005 JB 1H 102K-T	T	68.4/185.8
	4030017460	S.CER C1005 JB 1H 102K-T	[#03]	
	4030017460	S.CER C1005 JB 1H 102K-T	[#05]	
	4030017460	S.CER C1005 JB 1H 102K-T	[#06]	
C693	4030017620	S.CER C1005 CH 1H 100C-T	T	68.4/183.7
C695	4030019990	S.CER C1005 JB 1C 104K-T	T	17.5/157.6
C701	4030019990	S.CER C1005 JB 1C 104K-T	T	16.2/173.5
C720	4510010570	S.ELE 16 CE 470 LX	T	73.9/173.4
C721	4510010570	S.ELE 16 CE 470 LX	T	80.5/144.5
C722	4030019120	S.CER GRM188B31E105KA75D	T	93.7/156.5
C723	4030019620	S.CER GRM188B31C225KE14D	T	90.2/157.6
C724	4030017400	S.CER C1005 CH 1H 220J-T	T	96.7/165.0
C725	4030019990	S.CER C1005 JB 1C 104K-T	T	90.3/161.4
C726	4030019560	S.CER GRM21BB31C106KE15L	T	95.2/160.2
C727	4030019620	S.CER GRM188B31C225KE14D	T	91.4/162.7
C728	4030019570	S.CER C1608 CH 1H 332J-T	T	94.0/162.7
C731	4030020020	S.CER C1005 CH 1H 391J-T	T	96.6/157.0
C732	4030021340	S.CER C1608 JB 1H 474KT ATEX	T	96.6/162.7
C733	4030019990	S.CER C1005 JB 1C 104K-T	T	96.9/160.1
C734	4030021530	S.CER C1608 JB 1E 224K-T	T	96.6/163.9
C735	4030021530	S.CER C1608 JB 1E 224K-T	T	111.5/169.4
C741	4510010570	S.ELE 16 CE 470 LX	T	107.5/146.7
C746	4030019120	S.CER GRM188B31E105KA75D	T	105.5/169.4
C747	4030019990	S.CER C1005 JB 1C 104K-T	T	100.4/167.9
C751	4510010570	S.ELE 16 CE 470 LX	T	98.5/173.0
C752	4030017430	S.CER C1005 CH 1H 101J-T	T	104.7/177.0
C753	4030016790	S.CER C1005 JB 1E 103K-T	T	104.7/175.0
C754	4030016790	S.CER C1005 JB 1E 103K-T	T	89.2/176.5
C761	4030017460	S.CER C1005 JB 1H 102K-T	T	92.3/169.6
C762	4030017460	S.CER C1005 JB 1H 102K-T	T	92.3/170.9
C763	4030017460	S.CER C1005 JB 1H 102K-T	T	92.3/172.2
C764	4030017460	S.CER C1005 JB 1H 102K-T	T	92.3/173.1
C771	4030016790	S.CER C1005 JB 1E 103K-T	T	25.3/173.0
C773	4030016790	S.CER C1005 JB 1E 103K-T	T	33.0/168.0
C774	4030016790	S.CER C1005 JB 1E 103K-T	T	27.1/171.8
C775	4030016790	S.CER C1005 JB 1E 103K-T	T	27.1/179.0
C776	4030016790	S.CER C1005 JB 1E 103K-T	T	27.0/180.0
C778	4030016790	S.CER C1005 JB 1E 103K-T	T	52.6/178.2
C779	4030016790	S.CER C1005 JB 1E 103K-T	T	27.0/181.0
C780	4030016790	S.CER C1005 JB 1E 103K-T	T	27.0/185.0
C781	4030016790	S.CER C1005 JB 1E 103K-T	T	52.3/183.6
C782	4030017460	S.CER C1005 JB 1H 102K-T	T	52.3/182.6
C783	4030016790	S.CER C1005 JB 1E 103K-T	T	27.0/187.0
C791	4030019990	S.CER C1005 JB 1C 104K-T	T	25.3/174.3
C801	4030016790	S.CER C1005 JB 1E 103K-T	T	29.1/163.5
C811	4030019620	S.CER GRM188B31C225KE14D	T	50.5/180.7
C812	4030019620	S.CER GRM188B31C225KE14D	T	51.8/180.7
C901	4030017400	S.CER C1005 CH 1H 220J-T	T	109.2/66.1
C902	4550007200	S.TAN F930J476MBABMA	T	102.7/58.1
C903	4550007200	S.TAN F930J476MBABMA	T	99.4/56.0
C904	4030017400	S.CER C1005 CH 1H 220J-T	T	106.8/68.7
C905	4030019990	S.CER C1005 JB 1C 104K-T	T	102.8/61.4
C906	4030019990	S.CER C1005 JB 1C 104K-T	T	102.8/69.6
C907	4030019990	S.CER C1005 JB 1C 104K-T	T	102.8/70.8
C908	4030019990	S.CER C1005 JB 1C 104K-T	T	102.8/72.2
C909	4030019990	S.CER C1005 JB 1C 104K-T	T	102.8/74.0
C910	4030019990	S.CER C1005 JB 1C 104K-T	T	102.8/74.9
C911	4030019990	S.CER C1005 JB 1C 104K-T	T	102.8/75.8
C912	4030019990	S.CER C1005 JB 1C 104K-T	T	102.8/77.6
C913	4030019990	S.CER C1005 JB 1C 104K-T	T	102.8/78.8
C914	4030019990	S.CER C1005 JB 1C 104K-T	T	102.8/81.3
C915	4030019990	S.CER C1005 JB 1C 104K-T	T	102.8/64.8
C916	4030016790	S.CER C1005 JB 1E 103K-T	T	102.8/65.8
C917	4550007200	S.TAN F930J476MBABMA	T	104.7/91.5
C918	4550007200	S.TAN F930J476MBABMA	T	104.6/87.9
C919	4030019990	S.CER C1005 JB 1C 104K-T	T	96.2/58.0
C920	4030019990	S.CER C1005 JB 1C 104K-T	T	97.1/87.7
C921	4030019990	S.CER C1005 JB 1C 104K-T	T	95.3/88.6
C922	4030019990	S.CER C1005 JB 1C 104K-T	T	92.4/57.6
C923	4030019990	S.CER C1005 JB 1C 104K-T	T	91.4/87.7
C924	4030019990	S.CER C1005 JB 1C 104K-T	T	89.8/57.6
C925	4030019990	S.CER C1005 JB 1C 104K-T	T	88.1/87.3
C926	4030019990	S.CER C1005 JB 1C 104K-T	T	86.8/57.6
C927	4030019990	S.CER C1005 JB 1C 104K-T	T	85.9/87.7
C928	4030019990	S.CER C1005 JB 1C 104K-T	T	84.9/87.7
C929	4030019990	S.CER C1005 JB 1C 104K-T	T	84.4/57.6
C930	4030019990	S.CER C1005 JB 1C 104K-T	T	82.4/87.7
C931	4030019990	S.CER C1005 JB 1C 104K-T	T	82.3/57.8
C932	4030019990	S.CER C1005 JB 1C 104K-T	T	79.9/87.7
C933	4030019990	S.CER C1005 JB 1C 104K-T	T	78.8/57.6
C934	4030019990	S.CER C1005 JB 1C 104K-T	T	77.4/57.6
C935	4030019990	S.CER C1005 JB 1C 104K-T	T	77.4/87.7
C936	4550007200	S.TAN F930J476MBABMA	T	70.0/63.4
C937	4550007200	S.TAN F930J476MBABMA	T	76.9/55.2
C938	4030019990	S.CER C1005 JB 1C 104K-T	T	107.4/84.7
C939	4550007200	S.TAN F930J476MBABMA	T	67.6/71.8
C940	4030019990	S.CER C1005 JB 1C 104K-T	T	72.4/62.3
C941	4030019990	S.CER C1005 JB 1C 104K-T	T	72.4/65.3
C942	4030019990	S.CER C1005 JB 1C 104K-T	T	72.4/67.3
C943	4030019990	S.CER C1005 JB 1C 104K-T	T	72.4/68.3
C944	4030019990	S.CER C1005 JB 1C 104K-T	T	72.4/70.3
C945	4030019990	S.CER C1005 JB 1C 104K-T	T	72.4/71.3
C946	4030019990	S.CER C1005 JB 1C 104K-T	T	72.4/72.3
C947	4030019990	S.CER C1005 JB 1C 104K-T	T	72.4/73.3

Eqv.= This component is equivalent to the REF No. component listed above, and may be substituted on parts orders and repairs.

[MAIN UNIT]

REF NO.	PART NO.	DESCRIPTION	M.	H/V LOCATION
C948	4030019990	S.CER C1005 JB 1C 104K-T	T	72.4/75.3
C949	4030019990	S.CER C1005 JB 1C 104K-T	T	72.4/76.8
C950	4030019990	S.CER C1005 JB 1C 104K-T	T	72.4/77.8
C951	4030019990	S.CER C1005 JB 1C 104K-T	T	72.4/79.3
C952	4030019990	S.CER C1005 JB 1C 104K-T	T	72.4/80.8
C953	4030019990	S.CER C1005 JB 1C 104K-T	T	72.4/81.7
C954	4550007200	S.TAN F930J476MBABMA	T	67.6/75.8
C955	4030017430	S.CER C1005 CH 1H 101J-T	T	96.9/55.4
C961	4030019620	S.CER GRM188B31C225KE14D	T	38.0/158.0
C962	4030019620	S.CER GRM188B31C225KE14D	T	37.9/163.0
C971	4030019560	S.CER GRM21BB31C106KE15L	T	33.6/134.0
C972	4030019990	S.CER C1005 JB 1C 104K-T	T	34.2/143.5
C973	4030019560	S.CER GRM21BB31C106KE15L	T	34.2/144.9
C974	4030017700	S.CER C1005 CH 1H 151J-T	T	36.1/156.9
C975	4030017700	S.CER C1005 CH 1H 151J-T	T	34.1/151.5
C976	4030019990	S.CER C1005 JB 1C 104K-T	T	31.3/155.0
C977	4030019990	S.CER C1005 JB 1C 104K-T	T	29.0/149.7
C981	4030019990	S.CER C1005 JB 1C 104K-T	T	32.4/149.2
C991	4030019560	S.CER GRM21BB31C106KE15L	T	47.8/133.2
C992	4030019990	S.CER C1005 JB 1C 104K-T	T	47.8/136.0
C993	4030019560	S.CER GRM21BB31C106KE15L	T	46.4/136.9
C994	4030019560	S.CER GRM21BB31C106KE15L	T	39.1/145.0
C995	4030019570	S.CER C1608 CH 1H 332J-T	T	43.5/139.9
C996	4030019570	S.CER C1608 CH 1H 332J-T	T	46.7/139.9
C997	4030019990	S.CER C1005 JB 1C 104K-T	T	40.5/145.6
C998	4030019990	S.CER C1005 JB 1C 104K-T	T	49.6/145.9
C999	4030017700	S.CER C1005 CH 1H 151J-T	T	43.6/142.0
C1000	4030020980	S.CER C1005 CH 1H 821JT	T	46.2/142.1
C1001	4030019560	S.CER GRM21BB31C106KE15L	T	39.6/141.6
C1002	4030019560	S.CER GRM21BB31C106KE15L	T	50.8/140.5
C1003	4030019990	S.CER C1005 JB 1C 104K-T	T	60.8/133.6
C1004	4030019560	S.CER GRM21BB31C106KE15L	T	60.7/131.5
C1005	4030019990	S.CER C1005 JB 1C 104K-T	T	62.0/143.9
C1006	4030019990	S.CER C1005 JB 1C 104K-T	T	65.1/146.2
C1007	4030019560	S.CER GRM21BB31C106KE15L	T	65.5/145.3
C1008	4030019560	S.CER GRM21BB31C106KE15L	T	68.5/142.5
C1009	4030019560	S.CER GRM21BB31C106KE15L	T	68.2/146.0
C1010	4030019620	S.CER GRM188B31C225KE14D	T	67.0/139.6
C1011	4030019620	S.CER GRM188B31C225KE14D	T	67.0/139.6
C1012	4030017690	S.CER C1005 CH 1H 121J-T	T	69.7/147.6
C1013	4030017440	S.CER C1005 CH 1H 221J-T	T	69.3/138.2
C1014	4030019990	S.CER C1005 JB 1C 104K-T	T	73.2/135.5
C1015	4030019560	S.CER GRM21BB31C106KE15L	T	74.1/142.8
C1016	4030019620	S.CER GRM188B31C225KE14D	T	72.8/148.1
C1017	4510010570	S.ELE 16 CE 470 LX	T	69.0/153.9
C1018	4030019560	S.CER GRM21BB31C106KE15L	T	63.4/153.3
C1019	4030019990	S.CER C1005 JB 1C 104K-T	T	66.8/148.5
C1020	4030019560	S.CER GRM21BB31C106KE15L	T	69.0/134.9
C1021	4030017420	S.CER C1005 CH 1H 470J-T	T	106.8/76.0
C1022	4030017420	S.CER C1005 CH 1H 470J-T	T	107.4/76.9
C1023	4030017420	S.CER C1005 CH 1H 470J-T	T	106.9/78.2
C1024	4030017420	S.CER C1005 CH 1H 470J-T	T	105.7/82.3
C1025	4030017420	S.CER C1005 CH 1H 470J-T	T	105.7/83.2
C1201	4030016790	S.CER C1005 JB 1E 103K-T	T	51.8/77.5
C1202	4030019990	S.CER C1005 JB 1C 104K-T	T	49.3/75.9
C1203	4030017460	S.CER C1005 JB 1H 102K-T	T	48.2/77.5
C1204	4030019990	S.CER C1005 JB 1C 104K-T	T	52.8/76.6
C1205	4030017460	S.CER C1005 JB 1H 102K-T	T	49.3/80.6
C1206	4030017600	S.CER C1005 CH 1H 080C-T	T	50.5/80.2
C1207	4030016790	S.CER C1005 JB 1E 103K-T	T	49.5/87.2
C1208	4030017530	S.CER C1005 CH 1H 0R5B-T	T	50.5/81.1
C1209	4030016790	S.CER C1005 JB 1E 103K-T	T	51.2/85.9
C1211	4030017460	S.CER C1005 JB 1H 102K-T	T	52.0/91.9
C1212	4030019990	S.CER C1005 JB 1C 104K-T	T	48.5/94.0
C1213	4030016790	S.CER C1005 JB 1E 103K-T	T	52.7/97.5
C1220	4030019620	S.CER GRM188B31C225KE14D	T	68.6/132.9
C1221	4030019990	S.CER C1005 JB 1C 104K-T	T	71.0/131.2
C1222	4030017460	S.CER C1005 JB 1H 102K-T	T	

[MAIN UNIT]

REF NO.	PART NO.		DESCRIPTION	M.	H/V LOCATION
C1303	4030019990	S.CER	C1005 JB 1C 104K-T	T	93.4/105.3
C1304	4030019990	S.CER	C1005 JB 1C 104K-T	T	92.6/103.6
C1309	4030019560	S.CER	GRM21BB31C106KE15L	T	80.8/97.2
C1310	4030019990	S.CER	C1005 JB 1C 104K-T	T	81.6/101.9
C1311	4030019990	S.CER	C1005 JB 1C 104K-T	T	81.6/111.8
C1315	4030016790	S.CER	C1005 JB 1E 103K-T	T	74.1/129.5
C1316	4030017460	S.CER	C1005 JB 1H 102K-T	T	92.2/112.9
C1317	4030017460	S.CER	C1005 JB 1H 102K-T	T	93.1/112.9
C1318	4030019620	S.CER	GRM188B31C225KE14D	T	106.8/105.1
C1319	4030019620	S.CER	GRM188B31C225KE14D	T	98.4/103.2
C1321	4030019620	S.CER	GRM188B31C225KE14D	T	90.7/128.5
C1322	4030019620	S.CER	GRM188B31C225KE14D	T	84.8/130.1
C1325	4030019620	S.CER	GRM188B31C225KE14D	T	70.5/84.4
C1326	4030019620	S.CER	GRM188B31C225KE14D	T	70.0/89.3
C1332	4030019990	S.CER	C1005 JB 1C 104K-T	T	77.4/120.0
C1333	4030019990	S.CER	C1005 JB 1C 104K-T	T	77.9/124.7
C1334	4030019990	S.CER	C1005 JB 1C 104K-T	T	77.5/125.9
C1335	4030019560	S.CER	GRM21BB31C106KE15L	T	79.7/126.1
C1336	4030019990	S.CER	C1005 JB 1C 104K-T	T	77.5/127.5
C1337	4030019560	S.CER	GRM21BB31C106KE15L	T	79.7/128.1
C1338	4030017440	S.CER	C1005 CH 1H 221J-T	T	37.8/120.4
C1339	4030017440	S.CER	C1005 CH 1H 221J-T	T	37.6/122.0
C1340	4030017620	S.CER	C1005 CH 1H 100C-T	T	39.3/89.4
C1350	4510010570	S.ELE	16 CE 470 LX	T	46.5/99.3
C1351	4550007200	S.TAN	F930J476MBABMA	T	39.3/93.3
C1352	4030018910	S.CER	C1608 JB OJ 475K-T	T	45.8/93.2
C1353	4030016790	S.CER	C1005 JB 1E 103K-T	T	45.7/89.6
C1354	4030018910	S.CER	C1608 JB OJ 475K-T	T	46.2/88.6
C1355	4030016790	S.CER	C1005 JB 1E 103K-T	T	54.2/96.7
C1356	4030018900	S.CER	C1005 JB OJ 474K-T	T	45.3/91.7
C1357	4030017460	S.CER	C1005 JB 1H 102K-T	T	46.2/91.7
C1358	4030018900	S.CER	C1005 JB OJ 474K-T	T	47.1/91.7
C1359	4030017460	S.CER	C1005 JB 1H 102K-T	T	55.1/96.7
C1360	4030018900	S.CER	C1005 JB OJ 474K-T	T	45.7/90.5
C1361	4030017460	S.CER	C1005 JB 1H 102K-T	T	45.5/94.3
C1362	4030017460	S.CER	C1005 JB 1H 102K-T	T	47.1/90.1
C1363	4030017460	S.CER	C1005 JB 1H 102K-T	T	43.1/91.6
C1364	4030017460	S.CER	C1005 JB 1H 102K-T	T	49.5/127.2
C1365	4030017460	S.CER	C1005 JB 1H 102K-T	T	58.2/96.9
C1366	4030017460	S.CER	C1005 JB 1H 102K-T	T	40.2/98.9
C1367	4030017460	S.CER	C1005 JB 1H 102K-T	T	54.8/125.5
C1368	4030017460	S.CER	C1005 JB 1H 102K-T	T	62.9/97.2
C1369	4030017460	S.CER	C1005 JB 1H 102K-T	T	59.1/96.9
C1370	4030017460	S.CER	C1005 JB 1H 102K-T	T	60.6/125.3
C1371	4030018900	S.CER	C1005 JB OJ 474K-T	T	43.1/94.3
C1372	4030016790	S.CER	C1005 JB 1E 103K-T	T	48.6/127.2
C1373	4030016790	S.CER	C1005 JB 1E 103K-T	T	60.0/96.9
C1374	4030016790	S.CER	C1005 JB 1E 103K-T	T	40.2/100.8
C1375	4030018900	S.CER	C1005 JB OJ 474K-T	T	43.1/93.4
C1376	4030016790	S.CER	C1005 JB 1E 103K-T	T	64.6/96.7
C1377	4030018900	S.CER	C1005 JB OJ 474K-T	T	62.3/102.6
C1378	4030018900	S.CER	C1005 JB OJ 474K-T	T	40.2/99.9
C1379	4030018900	S.CER	C1005 JB OJ 474K-T	T	43.1/92.5
C1380	4030018900	S.CER	C1005 JB OJ 474K-T	T	47.7/127.2
C1381	4030018900	S.CER	C1005 JB OJ 474K-T	T	57.0/96.4
C1382	4030018900	S.CER	C1005 JB OJ 474K-T	T	37.8/123.6
C1383	4030018900	S.CER	C1005 JB OJ 474K-T	T	53.0/126.7
C1384	4030018900	S.CER	C1005 JB OJ 474K-T	T	64.6/95.7
C1385	4030018900	S.CER	C1005 JB OJ 474K-T	T	60.9/96.9
C1386	4030018900	S.CER	C1005 JB OJ 474K-T	T	60.6/126.2
C1387	4030018910	S.CER	C1608 JB OJ 475K-T	T	55.8/125.9
C1388	4030018910	S.CER	C1608 JB OJ 475K-T	T	49.4/125.4
C1389	4030018910	S.CER	C1608 JB OJ 475K-T	T	58.3/92.3
C1390	4030018910	S.CER	C1608 JB OJ 475K-T	T	59.2/126.2
C1391	4030020540	S.CER	GRM32EB30J107ME16L	T	52.4/128.7
C1392	4030020540	S.CER	GRM32EB30J107ME16L	T	45.6/128.8
C1393	4030020540	S.CER	GRM32EB30J107ME16L	T	58.6/94.4
C1394	4030020540	S.CER	GRM32EB30J107ME16L	T	35.6/121.7
C1396	4550007200	S.TAN	F930J476MBABMA	T	41.4/96.6
C1397	4030017420	S.CER	C1005 CH 1H 470J-T	T	57.5/125.3
C1398	4030017430	S.CER	C1005 CH 1H 101J-T	T	53.9/125.5
C1399	4030019990	S.CER	C1005 JB 1C 104K-T	T	45.9/99.9
C1400	4030019990	S.CER	C1005 JB 1C 104K-T	T	45.9/100.8
C1401	4030019990	S.CER	C1005 JB 1C 104K-T	T	28.0/124.4
C3003	4030019990	S.CER	C1005 JB 1C 104K-T	T	109.2/105.0
J1	6510022472	S.CON	40FLT-SM2-TB (LF) (SN) (M)	T	17.5/90.3
J21	6510021722	S.CON	30FLT-SM2-TB (LF) (SN) (M)	T	17.5/122.0
J45	6510018961	S.CON	B2B-PH-SM4-TB (LF) (SN)	T	7.2/70.9
J51	6510021722	S.CON	30FLT-SM2-TB (LF) (SN) (M)	T	8.6/28.0
J71	6510022472	S.CON	40FLT-SM2-TB (LF) (SN) (M)	T	34.5/10.0
J101	6510024522	S.CON	12FLT-SM2-TB (LF) (SN) (M)	T	82.4/7.4
J491	6510025142	S.CON	10FLT-SM2-TB (LF) (SN) (M)	T	108.9/16.4
J601	6510026540	CON	UBB-4R-D14T-4D (LF) (SN)	T	
J691	6510025940	CON	PJ-3047S	T	
J751	6510025940	CON	PJ-3047S	T	
J752	6510014961	S.CON	B2B-ZR-SM4-TF (LF) (SN)	T	111.0/174.5
J761	6510018971	S.CON	B4B-PH-SM4-TB (LF) (SN)	T	82.0/170.5
J771	6450001641	CON	TCS5044-0141177	T	
J901	6510025142	S.CON	10FLT-SM2-TB (LF) (SN) (M)	T	93.5/94.9
J1231	6510028210	CON	SJ050010 (TMP-J01X-V6)	T	
S371	2230001480	S.SWI	LS37J2-T	T	57.9/34.5
BT381	3020000390	S.LIT	ML414HIV01E	T	97.8/3.9
EP1	6910020910	S.BEA	MPZ1608S300AT	T	21.3/80.8
EP2	6910019100	S.BEA	MPZ1608S101AT	T	21.3/85.5
EP3	6910021240	S.BEA	MMZ1005A152ET	T	22.3/89.8
EP5	6910021240	S.BEA	MMZ1005A152ET	T	22.3/91.6

Eqv.= This component is equivalent to the REF No. component listed above, and may be substituted on parts orders and repairs.

[MAIN UNIT]

REF NO.	PART NO.		DESCRIPTION	M.	H/V LOCATION
EP6	6910021240	S.BEA	MMZ1005A152ET	T	22.3/92.5
EP7	6910021240	S.BEA	MMZ1005A152ET	T	22.3/93.4
EP8	6910021240	S.BEA	MMZ1005A152ET	T	22.3/94.3
EP9	6910021240	S.BEA	MMZ1005A152ET	T	22.3/95.2
EP11	6910021240	S.BEA	MMZ1005A152ET	T	22.3/97.0
EP14	6910021240	S.BEA	MMZ1005A152ET	T	21.7/99.7
EP19	6910021240	S.BEA	MMZ1005A152ET	T	22.3/88.9
EP21	6910019900	S.BEA	MPZ1608S601AT	T	21.5/131.1
EP22	6910019900	S.BEA	MPZ1608S601AT	T	22.1/129.9
EP23	6910019900	S.BEA	MPZ1608S601AT	T	22.1/128.7
EP32	6910021240	S.BEA	MMZ1005A152ET	T	22.8/120.4
EP33	6910021240	S.BEA	MMZ1005A152ET	T	22.0/119.5
EP34	6910021240	S.BEA	MMZ1005A152ET	T	22.0/118.6
EP35	6910021240	S.BEA	MMZ1005A152ET	T	22.0/117.7
EP36	6910021240	S.BEA	MMZ1005A152ET	T	22.0/116.8
EP37	6910021240	S.BEA	MMZ1005A152ET	T	21.6/115.9
EP38	6910021240	S.BEA	MMZ1005A152ET	T	21.6/115.0
EP39	6910021240	S.BEA	MMZ1005A152ET	T	21.4/114.1
EP45	6910019900	S.BEA	MPZ1608S601AT	T	7.0/67.4
EP46	6910019900	S.BEA	MPZ1608S601AT	T	19.2/73.6
EP51	6910019100	S.BEA	MPZ1608S101AT	T	12.7/35.7
EP52	6910019900	S.BEA	MPZ1608S601AT	T	12.7/33.4
EP58	6910015970	S.BEA	MMZ1608B 301CT-AS	T	13.7/26.3
EP59	6910015970	S.BEA	MMZ1608B 301CT-AS	T	12.8/25.0
EP60	6910015970	S.BEA	MMZ1608B 301CT-AS	T	13.7/23.8
EP61	6910015970	S.BEA	MMZ1608B 301CT-AS	T	13.6/22.6
EP62	6910015970	S.BEA	MMZ1608B 301CT-AS	T	13.8/21.4
EP63	6910015970	S.BEA	MMZ1608B 301CT-AS	T	13.8/20.2
EP75	6910015970	S.BEA	MMZ1608B 301CT-AS	T	28.3/14.2
EP79	6910015970	S.BEA	MMZ1608B 301CT-AS	T	29.9/14.2
EP80	6910015970	S.BEA	MMZ1608B 301CT-AS	T	30.4/6.0
EP81	6910015970	S.BEA	MMZ1608B 301CT-AS	T	31.1/14.2
EP82	6910015970	S.BEA	MMZ1608B 301CT-AS	T	31.6/6.0
EP83	6910015970	S.BEA	MMZ1608B 301CT-AS	T	32.3/14.2
EP84	6910015970	S.BEA	MMZ1608B 301CT-AS	T	32.8/6.0
EP85	6910015970	S.BEA	MMZ1608B 301CT-AS	T	33.5/14.2
EP86	6910015970	S.BEA	MMZ1608B 301CT-AS	T	34.0/6.0
EP87	6910015970	S.BEA	MMZ1608B 301CT-AS	T	34.7/14.2
EP88	6910015970	S.BEA	MMZ1608B 301CT-AS	T	35.2/6.0
EP89	6910015970	S.BEA	MMZ1608B 301CT-AS	T	35.9/14.2
EP90	6910015970	S.BEA	MMZ1608B 301CT-AS	T	36.4/6.0
EP91	6910015970	S.BEA	MMZ1608B 301CT-AS	T	37.1/14.2
EP92	6910015970	S.BEA	MMZ1608B 301CT-AS	T	37.6/6.0
EP93	6910015970	S.BEA	MMZ1608B 301CT-AS	T	38.3/14.2
EP94	6910015970	S.BEA	MMZ1608B 301CT-AS	T	38.8/6.0
EP95	6910015970	S.BEA	MMZ1608B 301CT-AS	T	39.5/14.2
EP96	6910019900	S.BEA	MPZ1608S601AT	T	40.8/14.2
EP97	6910019900	S.BEA	MPZ1608S601AT	T	42.3/5.8
EP98	6910019900	S.BEA	MPZ1608S601AT	T	44.3/5.8
EP111	6910019900	S.BEA	MPZ1608S601AT	T	71.0/4.5
EP121	6910023350	S.BEA	MMZ1005B601CT	T	55.6/59.9
EP141	6910023350	S.BEA	MMZ1005B601CT	T	60.8/49.7
EP201	6910018930	S.BEA	MPZ2012S601A	T	29.0/58.2
EP202	6910018930	S.BEA	MPZ2012S601A	T	23.7/40.6
EP221	6910018930	S.BEA	MPZ2012S601A	T	35.0/59.5
EP251	6910018930	S.BEA	MPZ2012S601A	T	20.1/60.2
EP301	6910019900	S.BEA	MPZ1608S601AT	T	99.0/13.3
EP302	6910019900	S.BEA	MPZ1608S601AT	T	64.9/42.4
EP303	6910023350	S.BEA	MMZ1005B601CT	T	99.6/34.8
EP304	6910023350	S.BEA	MMZ1005B601CT	T	66.6/23.2
EP351	6910023350	S.BEA	MMZ1005B601CT	T	105.0/21.7
EP391	6910023350	S.BEA	MMZ1005B601CT	T	104.9/40.2
EP601	6910023350	S.BEA	MMZ1005B601CT	T	55.1/174.1
EP621	6910019900	S.BEA	MPZ1608S601AT	T	63.3/159.2
EP641	6910023350	S.BEA	MMZ1005B601CT	T	46.6/166.2
EP661	6910023350	S.BEA	MMZ1005B601CT	T	61.8/151.0
EP662	6910023350	S.BEA	MMZ1005B601CT	T	59.4/145.6
EP691	6910023350	S.BEA	MMZ1005B601CT	T	68.4/182.5
EP751	6910018930	S.BEA	MPZ2012S601A	T	92.5/179.5
EP752	6910018930	S.BEA	MPZ2012S601A	T	

[MAIN UNIT]

[RF UNIT]

REF NO.	PART NO.	DESCRIPTION	M.	H/V LOCATION
EP1261	6910018460	S.BEA MMZ1005Y102C-T	T	101.9/105.6
EP1300	6910026020	E.O CMBA0210101402-00		
EP1301	6910021230	S.BEA MMZ2012Y102BT	T	96.4/101.3
EP1302	6910018460	S.BEA MMZ1005Y102C-T	T	78.8/96.3
EP1315	6910018460	S.BEA MMZ1005Y102C-T	T	74.1/131.3
EP1331	6910018460	S.BEA MMZ1005Y102C-T	T	85.1/128.9
EP1332	6910018460	S.BEA MMZ1005Y102C-T	T	85.1/128.0
EP1351	6910019900	S.BEA MPZ1608S601AT	T	44.6/86.7
EP1352	6910019900	S.BEA MPZ1608S601AT	T	45.8/86.7
EP1353	6910019900	S.BEA MPZ1608S601AT	T	45.0/97.6
EP1354	6910019900	S.BEA MPZ1608S601AT	T	63.1/94.6
EP1355	6910019900	S.BEA MPZ1608S601AT	T	61.8/94.6
EP1364	6910018460	S.BEA MMZ1005Y102C-T	T	41.4/77.3
EP1365	6910018460	S.BEA MMZ1005Y102C-T	T	42.3/77.3
EP1401	6910018460	S.BEA MMZ1005Y102C-T	T	28.0/122.8

REF NO.	PART NO.	DESCRIPTION	M.	H/V LOCATION
IC1031	1110008080	S.IC BGA2866115	T	96.6/24.2
IC1061	1180004430	S.REG XC6209F502MR-G	T	64.3/39.3
IC1301	1130010550	S.IC SN74AHC595PWR	T	27.2/19.9
IC1302	1130010550	S.IC SN74AHC595PWR	T	17.6/19.9
IC1303	1130010550	S.IC SN74AHC595PWR	T	8.1/19.9
IC1501	1110005320	S.IC NJM13403V-TE1-#ZZZB	T	48.6/26.2
IC1502	1110008550	S.IC NJM2904CRB1-TE1-#HMZR	T	37.2/27.7
Q101	1590004690	S.TRA LDTC143ZET1G	T	104.9/11.2
Q1001	1590004690	S.TRA LDTC143ZET1G	T	70.9/6.2
Q1051	1530004140	S.TRA L2SC4081RT1G	T	86.3/30.7
Q1061	1590004310	S.TRA LDTC143ZET1G	T	61.5/11.1
Q1062	1590004690	S.TRA LDTC143ZET1G	T	61.5/8.7
Q1091	1590004690	S.TRA LDTC143ZET1G	T	4.5/75.3
Q1092	1590004690	S.TRA LDTC143ZET1G	T	4.5/77.7
Q1093	1590004310	S.TRA LDTC143ZET1G	T	7.0/77.7
Q1094	1590004310	S.TRA LDTC143ZET1G	T	7.0/74.8
Q1095	1590004310	S.TRA LDTC143ZET1G	T	7.0/72.6
Q1096	1590004690	S.TRA LDTC143ZET1G	T	4.5/73.1
Q1097	1590004690	S.TRA LDTC143ZET1G	T	58.3/12.9
Q1098	1590004690	S.TRA LDTC143ZET1G	T	56.1/12.9
Q1099	1590004310	S.TRA LDTC143ZET1G	T	58.6/15.3
Q1110	1590004310	S.TRA LDTC143ZET1G	T	56.6/15.3
Q1111	1590004690	S.TRA LDTC143ZET1G	T	31.0/31.5
Q1121	1590004690	S.TRA LDTC143ZET1G	T	5.8/31.5
Q1131	1590004690	S.TRA LDTC143ZET1G	T	6.9/27.7
Q1141	1590004690	S.TRA LDTC143ZET1G	T	9.4/31.5
Q1151	1590004690	S.TRA LDTC143ZET1G	T	10.5/27.7
Q1161	1590004690	S.TRA LDTC143ZET1G	T	13.0/31.5
Q1171	1590004690	S.TRA LDTC143ZET1G	T	14.1/27.7
Q1181	1590004690	S.TRA LDTC143ZET1G	T	16.6/31.5
Q1191	1590004690	S.TRA LDTC143ZET1G	T	17.7/27.7
Q1201	1590004690	S.TRA LDTC143ZET1G	T	20.2/31.5
Q1211	1590004690	S.TRA LDTC143ZET1G	T	21.3/27.7
Q1221	1590004690	S.TRA LDTC143ZET1G	T	23.8/31.5
Q1231	1590004690	S.TRA LDTC143ZET1G	T	25.0/27.7
Q1241	1590004690	S.TRA LDTC143ZET1G	T	27.4/31.5
Q1261	1590004690	S.TRA LDTC143ZET1G	T	28.6/27.7
			[#03]	
			[#05]	
			[#06]	
Q1411	1530004340	S.TRA 2SC3356L-B-AE3-R	T	55.0/77.9
Eqv.	1530004560	S.TRA 2SC3356G-B-AE2-R		
Q1412	1590004690	S.TRA LDTC143ZET1G	T	40.8/85.9
Q1413	1590004690	S.TRA LDTC143ZET1G	T	40.8/83.0
Q1511	1590004310	S.TRA LDTC143ZET1G	T	33.6/24.6
Q1512	1590004690	S.TRA LDTC143ZET1G	T	31.5/24.0
Q1513	1560002190	S.FET RUM002N02T2L	T	31.2/22.0
Q1521	1510001200	S.TRA L2SA1576ART1G	T	47.9/17.2
Q1561	1590004310	S.TRA LDTC143ZET1G	T	33.3/30.9
Q1562	1530003960	S.TRA KTC2875-B-RTK/P	T	36.0/32.8
Q1563	1560002190	S.FET RUM002N02T2L	T	42.0/31.0
Q1571	1530004140	S.TRA L2SC4081RT1G	T	54.0/20.4
D101	1750001810	S.DIO L1SS400T1G	T	106.6/11.3
D1001	1790001621	S.DIO 1SV308 (TPL3F)	T	72.0/11.5
Eqv.	1790001622	S.DIO 1SV308L3F		
D1021	1750003070	S.DIO BAP70Q	T	93.5/12.0
D1041	1750003070	S.DIO BAP70Q	T	91.6/27.5
D1051	1750003100	S.DIO BAR64-02V	T	83.7/26.5
D1052	1750003100	S.DIO BAR64-02V	T	82.7/30.4
D1053	1790001621	S.DIO 1SV308 (TPL3F)	T	77.9/21.5
Eqv.	1790001622	S.DIO 1SV308L3F		
D1081	1790001621	S.DIO 1SV308 (TPL3F)	T	75.5/16.7
Eqv.	1790001622	S.DIO 1SV308L3F		
D1082	1790001621	S.DIO 1SV308 (TPL3F)	T	74.7/18.5
Eqv.	1790001622	S.DIO 1SV308L3F		
D1083	1790001621	S.DIO 1SV308 (TPL3F)	T	72.1/18.5
Eqv.	1790001622	S.DIO 1SV308L3F		
D1091	1750001810	S.DIO L1SS400T1G	T	5.6/79.3
D1101	1790001621	S.DIO 1SV308 (TPL3F)	T	73.8/23.5
Eqv.	1790001622	S.DIO 1SV308L3F		
D1111	1790001621	S.DIO 1SV308 (TPL3F)	T	77.9/22.7
Eqv.	1790001622	S.DIO 1SV308L3F		
D1112	1790001621	S.DIO 1SV308 (TPL3F)	T	96.2/57.9
Eqv.	1790001622	S.DIO 1SV308L3F		
D1121	1790001621	S.DIO 1SV308 (TPL3F)	T	12.9/39.3
Eqv.	1790001622	S.DIO 1SV308L3F		
D1122	1790001621	S.DIO 1SV308 (TPL3F)	T	15.0/68.5
Eqv.	1790001622	S.DIO 1SV308L3F		
D1131	1790001621	S.DIO 1SV308 (TPL3F)	T	17.4/40.1
Eqv.	1790001622	S.DIO 1SV308L3F		
D1132	1790001621	S.DIO 1SV308 (TPL3F)	T	18.6/67.7
Eqv.	1790001622	S.DIO 1SV308L3FT		
D1141	1790001621	S.DIO 1SV308 (TPL3F)	T	26.8/40.1
Eqv.	1790001622	S.DIO 1SV308L3F		
D1142	1790001621	S.DIO 1SV308 (TPL3F)	T	25.2/66.8
Eqv.	1790001622	S.DIO 1SV308L3F		
D1151	1790001621	S.DIO 1SV308 (TPL3F)	T	30.2/40.1
Eqv.	1790001622	S.DIO 1SV308L3F		
D1152	1790001621	S.DIO 1SV308 (TPL3F)	T	30.3/66.8
Eqv.	1790001622	S.DIO 1SV308L3F		
D1161	1790001621	S.DIO 1SV308 (TPL3F)	T	37.0/40.1
Eqv.	1790001622	S.DIO 1SV308L3F		
D1162	1790001621	S.DIO 1SV308 (TPL3F)	T	35.4/66.8
Eqv.	1790001622	S.DIO 1SV308L3F		
D1171	1790001621	S.DIO 1SV308 (TPL3F)	T	39.6/40.1
Eqv.	1790001622	S.DIO 1SV308L3F		
D1172	1790001621	S.DIO 1SV308 (TPL3F)	T	40.4/66.8
Eqv.	1790001622	S.DIO 1SV308L3F		
D1181	1790001621	S.DIO 1SV308 (TPL3F)	T	47.8/40.1
Eqv.	1790001622	S.DIO 1SV308L3F		

Eqv.= This component is equivalent to the REF No. component listed above, and may be substituted on parts orders and repairs.

M.=Mounted side (T: Mounted on the Top side, B: Mounted on the Bottom side)
H/V LOCATION=See the BOARD LAYOUTS for details.

[RF UNIT]

REF NO.	PART NO.	DESCRIPTION	M.	H/V LOCATION
D1182	1790001621	S.DIO 1SV308 (TPL3F)	T	45.5/66.5
Eqv.	1790001622	S.DIO 1SV308L3F		
D1191	1790001621	S.DIO 1SV308 (TPL3F)	T	49.9/40.1
Eqv.	1790001622	S.DIO 1SV308L3F		
D1192	1790001621	S.DIO 1SV308 (TPL3F)	T	50.7/66.5
Eqv.	1790001622	S.DIO 1SV308L3F		
D1201	1790001621	S.DIO 1SV308 (TPL3F)	T	56.3/40.1
Eqv.	1790001622	S.DIO 1SV308L3F		
D1202	1790001621	S.DIO 1SV308 (TPL3F)	T	54.7/66.5
Eqv.	1790001622	S.DIO 1SV308L3F		
D1211	1790001621	S.DIO 1SV308 (TPL3F)	T	92.0/39.9
Eqv.	1790001622	S.DIO 1SV308L3F		
D1212	1790001621	S.DIO 1SV308 (TPL3F)	T	90.8/58.9
Eqv.	1790001622	S.DIO 1SV308L3F		
D1214	1790001621	S.DIO 1SV308 (TPL3F)	T	65.6/43.0
Eqv.	1790001622	S.DIO 1SV308L3F		
D1221	1790001621	S.DIO 1SV308 (TPL3F)	T	83.4/39.9
Eqv.	1790001622	S.DIO 1SV308L3F		
D1222	1790001621	S.DIO 1SV308 (TPL3F)	T	78.7/71.0
Eqv.	1790001622	S.DIO 1SV308L3F		
D1231	1790001621	S.DIO 1SV308 (TPL3F)	T	85.5/39.9
Eqv.	1790001622	S.DIO 1SV308L3F		
D1232	1790001621	S.DIO 1SV308 (TPL3F)	T	86.6/68.7
Eqv.	1790001622	S.DIO 1SV308L3F		
D1241	1790001621	S.DIO 1SV308 (TPL3F)	T	64.6/45.2
Eqv.	1790001622	S.DIO 1SV308L3F		
D1242	1790001621	S.DIO 1SV308 (TPL3F)	T	60.0/74.5
Eqv.	1790001622	S.DIO 1SV308L3F		
D1243	1790001621	S.DIO 1SV308 (TPL3F) [#03]	T	63.8/49.3
Eqv.	1790001622	S.DIO 1SV308L3F [#03]		
D1243	1790001621	S.DIO 1SV308 (TPL3F) [#05]	T	63.8/49.3
Eqv.	1790001622	S.DIO 1SV308L3F [#05]		
D1243	1790001621	S.DIO 1SV308 (TPL3F) [#06]	T	63.8/49.3
Eqv.	1790001622	S.DIO 1SV308L3F [#06]		
D1261	1790001621	S.DIO 1SV308 (TPL3F) [#03]	T	72.4/39.1
Eqv.	1790001622	S.DIO 1SV308L3F [#03]		
D1261	1790001621	S.DIO 1SV308 (TPL3F) [#05]	T	72.4/39.1
Eqv.	1790001622	S.DIO 1SV308L3F [#05]		
D1261	1790001621	S.DIO 1SV308 (TPL3F) [#06]	T	72.4/39.1
Eqv.	1790001622	S.DIO 1SV308L3F [#06]		
D1262	1790001621	S.DIO 1SV308 (TPL3F) [#03]	T	73.3/74.5
Eqv.	1790001622	S.DIO 1SV308L3F [#03]		
D1262	1790001621	S.DIO 1SV308 (TPL3F) [#05]	T	73.3/74.5
Eqv.	1790001622	S.DIO 1SV308L3F [#05]		
D1262	1790001621	S.DIO 1SV308 (TPL3F) [#06]	T	73.3/74.5
Eqv.	1790001622	S.DIO 1SV308L3F [#06]		
D1401	1790001621	S.DIO 1SV308 (TPL3F)	T	36.5/68.4
Eqv.	1790001622	S.DIO 1SV308L3F		
D1402	1790001621	S.DIO 1SV308 (TPL3F)	T	34.6/78.3
Eqv.	1790001622	S.DIO 1SV308L3F		
D1411	1790001621	S.DIO 1SV308 (TPL3F)	T	49.8/68.1
Eqv.	1790001622	S.DIO 1SV308L3F		
D1412	1790001621	S.DIO 1SV308 (TPL3F)	T	34.6/80.8
Eqv.	1790001622	S.DIO 1SV308L3F		
D1413	1790001621	S.DIO 1SV308 (TPL3F)	T	50.4/82.8
Eqv.	1790001622	S.DIO 1SV308L3F		
D1414	1790001621	S.DIO 1SV308 (TPL3F)	T	48.8/82.8
Eqv.	1790001622	S.DIO 1SV308L3F		
D1415	1790001621	S.DIO 1SV308 (TPL3F)	T	61.2/82.1
Eqv.	1790001622	S.DIO 1SV308L3F		
D1416	1790001621	S.DIO 1SV308 (TPL3F)	T	61.2/84.9
Eqv.	1790001622	S.DIO 1SV308L3F		
D1501	1750001810	S.DIO L1SS400T1G	T	50.5/18.1
D1521	1750002230	S.DIO LRB75S-40T1G	T	44.1/19.1
D1522	1750002230	S.DIO LRB75S-40T1G	T	45.3/17.5
D1523	1730002890	S.ZEN DZ2J033M0L	T	46.3/20.0
D1531	1750001810	S.DIO L1SS400T1G	T	46.1/22.7
D1541	1750001810	S.DIO L1SS400T1G	T	54.4/29.4
D1542	1750001810	S.DIO L1SS400T1G	T	49.5/31.0
D1543	1750001810	S.DIO L1SS400T1G	T	52.5/32.3
D1561	1750002230	S.DIO LRB75S-40T1G	T	41.6/29.5
D1563	1750001810	S.DIO L1SS400T1G	T	47.5/33.5
L1022	6200002041	S.COI NLV25T-101J-PF	T	95.6/16.1
L1023	6200002041	S.COI NLV25T-101J-PF	T	93.1/17.0
L1041	6200002041	S.COI NLV25T-101J-PF	T	93.0/23.4
L1042	6200002041	S.COI NLV25T-101J-PF	T	88.0/22.5
L1043	6200002041	S.COI NLV25T-101J-PF	T	90.5/22.5
L1051	6200002041	S.COI NLV25T-101J-PF	T	86.2/27.4
L1052	6200002041	S.COI NLV25T-101J-PF	T	85.3/22.9
L1053	6200002041	S.COI NLV25T-101J-PF	T	81.3/24.9
L1081	6200002041	S.COI NLV25T-101J-PF	T	72.5/13.7
L1082	6200002041	S.COI NLV25T-101J-PF	T	69.1/20.4
L1083	6200002041	S.COI NLV25T-101J-PF	T	66.4/24.6
L1101	6200003241	S.COI NLV32T-221J-PF	T	76.2/25.8
L1102	6200003241	S.COI NLV32T-221J-PF	T	75.2/32.7
L1103	6200001851	S.COI NLV32T-5R6J-PF	T	70.9/27.9
L1104	6200002961	S.COI NLV32T-4R7J-PF	T	70.1/31.5
L1105	6200010680	S.COI C2520C-R22G-A (0.22U)	T	64.8/40.2
L1106	6200010680	S.COI C2520C-R22G-A (0.22U)	T	61.1/42.2
L1111	6200002041	S.COI NLV25T-101J-PF	T	94.3/41.1
L1112	6200010800	S.COI C2520C-4R7G-A	T	95.3/45.8
L1113	6200010800	S.COI C2520C-4R7G-A	T	96.1/50.4
L1114	6200002041	S.COI NLV25T-101J-PF	T	94.9/55.0
L1121	6200015770	S.COI 1812CS-392XJLC	T	10.0/42.7
L1122	6200015780	S.COI 1812CS-103XJLC	T	10.8/60.8
L1123	6200015770	S.COI 1812CS-392XJLC	T	10.1/68.5
L1131	6200015790	S.COI 1812CS-222XJLC	T	16.6/47.0
L1132	6200015800	S.COI 1812CS-682XJLC	T	15.9/54.6
L1133	6200015790	S.COI 1812CS-222XJLC	T	16.5/63.5
L1141	6200015810	S.COI 1812CS-102XJLC	T	22.5/43.3
L1142	6200011820	S.COI 1812CS-562XJLC	T	22.1/53.5
L1143	6200015810	S.COI 1812CS-102XJLC	T	23.0/62.8

Eqv.= This component is equivalent to the REF No. component listed above, and may be substituted on parts orders and repairs.

[RF UNIT]

REF NO.	PART NO.	DESCRIPTION	M.	H/V LOCATION
L1151	6200010530	S.COI C2520C-R56G-A (0.56U)	T	28.9/46.6
L1152	6200015770	S.COI 1812CS-392XJLC	T	28.1/56.5
L1153	6200010530	S.COI C2520C-R56G-A (0.56U)	T	28.9/64.2
L1161	6200010960	S.COI C2520C-R47G-A (0.47U)	T	34.7/42.0
L1162	6200015820	S.COI 1812CS-272XJLC	T	33.8/51.3
L1163	6200010960	S.COI C2520C-R47G-A (0.47U)	T	33.7/63.3
L1171	6200010530	S.COI C2520C-R56G-A (0.56U)	T	39.1/46.5
L1172	6200015790	S.COI 1812CS-222XJLC	T	39.8/56.5
L1173	6200010530	S.COI C2520C-R56G-A (0.56U)	T	39.0/64.1
L1181	6200010870	S.COI C2520C-R33G-A (0.33U)	T	44.7/42.0
L1182	6200015830	S.COI 1812CS-152XJLC	T	44.6/50.5
L1183	6200010870	S.COI C2520C-R33G-A (0.33U)	T	43.7/62.9
L1191	6200010670	S.COI C2520C-R18G-A (0.18U)	T	50.2/47.6
L1192	6200015810	S.COI 1812CS-102XJLC	T	50.2/56.0
L1193	6200010670	S.COI C2520C-R18G-A (0.18U)	T	49.2/63.3
L1201	6200010660	S.COI C2520C-R15G-A (0.15U)	T	54.4/43.6
L1202	6200010770	S.COI C2520C-R68G-A	T	54.7/51.3
L1203	6200010660	S.COI C2520C-R15G-A (0.15U)	T	53.5/62.9
L1211	6200010680	S.COI C2520C-R22G-A (0.22U)	T	89.2/41.2
L1212	6200010660	S.COI C2520C-R15G-A (0.15U)	T	89.5/49.9
L1213	6200010680	S.COI C2520C-R22G-A (0.22U)	T	89.9/56.0
L1221	6200013000	S.COI 0.25-1.9-13TL 135N	T	80.3/41.2
L1222	6200013000	S.COI 0.25-1.9-13TL 135N	T	78.3/46.3
L1223	6200010680	S.COI C2520C-R22G-A (0.22U)	T	78.4/51.3
L1224	6200013000	S.COI 0.25-1.9-13TL 135N	T	79.1/57.4
L1225	6200013000	S.COI 0.25-1.9-13TL 135N	T	78.4/62.7
L1226	6200002041	S.COI NLV25T-101J-PF	T	78.0/68.7
L1231	6200002041	S.COI NLV25T-101J-PF	T	84.5/45.1
L1233	6200012510	S.COI 0.25-1.9-87L 72.0N	T	84.7/50.5
L1234	6200012990	S.COI 0.25-1.9-97L 84.0N	T	84.4/66.7
L1241	6200013030	S.COI 0.35-1.6-6TL 31.0N	T	62.1/46.0
L1242	6200010520	S.COI C2520C-R75G-A (0.75U)	T	63.8/54.6
L1243	6200013030	S.COI 0.35-1.6-6TL 31.0N	T	63.6/58.8
L1244	6200012690	S.COI 0.30-2.5-7TL 100N	T	63.6/63.0
L1245	6200013000	S.COI 0.25-1.9-13TL 135N	T	62.8/67.8
L1246	6200010660	S.COI C2520C-R15G-A (0.15U)	T	62.3/72.4
L1261	6200012760	S.COI 0.35-1.6-7TL 37.5N	[#03]	71.9/41.1
	6200012760	S.COI 0.35-1.6-7TL 37.5N	[#05]	
	6200012760	S.COI 0.35-1.6-7TL 37.5N	[#06]	
L1262	6200010870	S.COI C2520C-R33G-A (0.33U)	[#03]	72.1/48.2
	6200010870	S.COI C2520C-R33G-A (0.33U)	[#05]	
	6200010870	S.COI C2520C-R33G-A (0.33U)	[#06]	
L1263	6200012760	S.COI 0.35-1.6-7TL 37.5N	[#03]	67.3/48.2
	6200012760	S.COI 0.35-1.6-7TL 37.5N	[#05]	
	6200012760	S.COI 0.35-1.6-7TL 37.5N	[#06]	
L1264	6200012510	S.COI 0.25-1.9-87L 72.0N	[#03]	71.3/53.3
	6200012510	S.COI 0.25-1.9-87L 72.0N	[#05]	
	6200012510	S.COI 0.25-1.9-87L 72.0N	[#06]	
L1265	6200012690	S.COI 0.30-2.5-7TL 100N	[#03]	71.3/58.5
	6200012690	S.COI 0.30-2.5-7TL 100N	[#05]	
	6200012690	S.COI 0.30-2.5-7TL 100N	[#06]	
L1267	6200010660	S.COI C2520C-R15G-A (0.15U)	[#03]	69.8/63.8
	6200010660	S.COI C2520C-R15G-A (0.15U)	[#05]	
	6200010660	S.COI C2520C-R15G-A (0.15U)	[#06]	
L1268	6200013080	S.COI 0.25-1.9-10TL 97.0N	[#03]	68.8/68.8
	6200013080	S.COI 0.25-1.9-10TL 97.0N	[#05]	
	6200013080	S.COI 0.25-1.9-10TL 97.0N	[#06]	
L1269	6200013080	S.COI 0.25-1.9-10TL 97.0N	[#03]	67.5/73.5
	6200013080	S.COI 0.25-1.9-10TL 97.0N	[#05]	
	6200013080	S.COI 0.25-1.9-10TL 97.0N	[#06]	
L1270	6200002041	S.COI NLV25T-101J-PF	[#03]	70.8/74.4
	6200002041	S.COI NLV25T-101J-PF	[#05]	
	6200002041	S.COI NLV25T-101J-PF	[#06]	
L1291	6200013080	S.COI 0.25-1.9-10TL 97.0N	T	84.0/56.5
L1292	6200013080	S.COI 0.25-1.9-10TL 97.0N	T	83.8/61.4
L1401	6200002041	S.COI NLV25T-101J-PF	T	29.5/70.9
L1402	6200002041	S.COI NLV25T-101J-PF	T	29.5/74.5
L1411	6200002041	S.COI NLV25T-101J-PF	T	41.0/69.6
L1412	6140005310	S.COI LR-589 (4KBL-S120062)	T	50.4/75.1
L1413	6200015400	S.COI LQH43MN102J03L	T	43.8/75.1
L1414	6200002041	S.COI NLV25T-101J-PF	T	41.0/72.1
L1415	6140005310	S.COI LR-589 (4KBL-S120062)	T	55.8/83.6
L1416	6200005501	S.COI NLV32T-471J-PF	T	45.8/84.8
L1417	6200002041	S.COI NLV25T-101J-PF	T	34.2/83.9
L1418	6200002041	S.COI NLV25T-101		

[RF UNIT]

Table with columns: REF NO., PART NO., DESCRIPTION, M., H/V LOCATION. Rows include parts like ERJ2G2EJ 223 X (22 k), ERJ2G2EJ 183 X (18 k), etc.

[RF UNIT]

Table with columns: REF NO., PART NO., DESCRIPTION, M., H/V LOCATION. Rows include parts like ERJ2G2EJ 101 X (100), ERJ2G2EJ 101 X (100), etc.

Eqv.= This component is equivalent to the REF No. component listed above, and may be substituted on parts orders and repairs.

M.=Mounted side (T: Mounted on the Top side, B: Mounted on the Bottom side) H/V LOCATION=See the BOARD LAYOUTS for details.

[RF UNIT]

REF NO.	PART NO.	DESCRIPTION	M.	H/V LOCATION
C1143	4030018620	S.CER C1608 CH 1H 222J-T	T	26.0/42.0
C1145	4030011330	S.CER C1608 CH 1H 391J-T	T	21.5/48.9
C1147	4030018620	S.CER C1608 CH 1H 222J-T	T	22.6/58.0
C1149	4030019990	S.CER C1005 JB 1C 104K-T	T	20.5/59.3
C1151	4030019990	S.CER C1005 JB 1C 104K-T	T	28.7/41.2
C1152	4030019990	S.CER C1005 JB 1C 104K-T	T	28.8/43.8
C1153	4030018600	S.CER C1608 CH 1H 152J-T	T	28.1/48.8
C1155	4030007170	S.CER C1608 CH 1H 221J-T	T	26.7/52.2
C1157	4030018600	S.CER C1608 CH 1H 152J-T	T	29.1/61.9
C1159	4030019990	S.CER C1005 JB 1C 104K-T	T	26.9/62.1
C1161	4030019990	S.CER C1005 JB 1C 104K-T	T	31.8/41.0
C1162	4030019990	S.CER C1005 JB 1C 104K-T	T	32.2/43.5
C1163	4030018590	S.CER C1608 CH 1H 122J-T	T	33.4/45.9
C1165	4030010750	S.CER C1608 CH 1H 201J-T	T	32.9/48.0
C1167	4030018590	S.CER C1608 CH 1H 122J-T	T	33.9/60.1
C1169	4030019990	S.CER C1005 JB 1C 104K-T	T	32.6/57.7
C1171	4030019990	S.CER C1005 JB 1C 104K-T	T	38.0/43.5
C1172	4030019990	S.CER C1005 JB 1C 104K-T	T	37.1/44.4
C1173	4030017870	S.CER C1608 CH 1H 681J-T	T	39.5/50.0
C1175	4030007160	S.CER C1608 CH 1H 181J-T	T	38.9/51.8
C1177	4030017870	S.CER C1608 CH 1H 681J-T	T	39.6/61.8
C1179	4030019990	S.CER C1005 JB 1C 104K-T	T	37.1/61.8
C1181	4030019990	S.CER C1005 JB 1C 104K-T	T	41.4/40.9
C1182	4030019990	S.CER C1005 JB 1C 104K-T	T	42.0/42.1
C1183	4030017800	S.CER C1608 CH 1H 561J-T	T	46.9/42.5
C1185	4030007140	S.CER C1608 CH 1H 121J-T	T	43.3/46.8
C1187	4030017800	S.CER C1608 CH 1H 561J-T	T	44.3/60.0
C1189	4030019990	S.CER C1005 JB 1C 104K-T	T	43.1/57.3
C1191	4030019990	S.CER C1005 JB 1C 104K-T	T	47.2/44.9
C1192	4030019990	S.CER C1005 JB 1C 104K-T	T	47.2/47.5
C1193	4030011330	S.CER C1608 CH 1H 391J-T	T	49.3/45.3
C1195	4030007120	S.CER C1608 CH 1H 820J-T	T	49.0/51.8
C1197	4030011330	S.CER C1608 CH 1H 391J-T	T	49.3/61.0
C1199	4030019990	S.CER C1005 JB 1C 104K-T	T	47.1/61.0
C1201	4030019990	S.CER C1005 JB 1C 104K-T	T	51.1/40.8
C1202	4030019990	S.CER C1005 JB 1C 104K-T	T	51.6/42.0
C1203	4030011280	S.CER C1608 CH 1H 271J-T	T	54.4/40.9
C1205	4030007110	S.CER C1608 CH 1H 680J-T	T	54.2/48.0
C1207	4030011280	S.CER C1608 CH 1H 271J-T	T	54.6/58.4
C1209	4030019990	S.CER C1005 JB 1C 104K-T	T	53.4/57.3
C1211	4030019990	S.CER C1005 JB 1C 104K-T	T	87.3/44.0
C1212	4030019990	S.CER C1005 JB 1C 104K-T	T	88.1/45.6
C1213	4030007100	S.CER C1608 CH 1H 560J-T	T	90.2/44.7
C1215	4030007120	S.CER C1608 CH 1H 820J-T	T	91.0/46.5
C1217	4030007100	S.CER C1608 CH 1H 560J-T	T	90.7/53.8
C1219	4030019990	S.CER C1005 JB 1C 104K-T	T	88.0/53.5
C1220	4030019990	S.CER C1005 JB 1C 104K-T	T	76.9/70.4
C1221	4030019990	S.CER C1005 JB 1C 104K-T	T	76.9/41.0
C1222	4030019990	S.CER C1005 JB 1C 104K-T	T	76.9/43.5
C1223	4030007100	S.CER C1608 CH 1H 560J-T	T	81.1/44.1
C1224	4030007170	S.CER C1608 CH 1H 221J-T	T	79.2/43.4
C1225	4030011540	S.CER C1608 CH 1H 750J-T	T	80.4/46.7
C1226	4030007100	S.CER C1608 CH 1H 560J-T	T	77.4/53.8
C1227	4030007070	S.CER C1608 CH 1H 330J-T	T	78.1/55.2
C1228	4030007110	S.CER C1608 CH 1H 680J-T	T	77.4/59.7
C1229	4030007040	S.CER C1608 CH 1H 180J-T	T	80.6/62.7
C1230	4030007080	S.CER C1608 CH 1H 390J-T	T	77.7/65.8
C1231	4030019990	S.CER C1005 JB 1C 104K-T	T	82.7/47.6
C1232	4030019990	S.CER C1005 JB 1C 104K-T	T	84.1/43.4
C1233	4030007110	S.CER C1608 CH 1H 680J-T	T	85.1/48.3
C1234	4030009990	S.CER C1608 CH 1H 200J-T	T	85.1/52.7
C1235	4030007090	S.CER C1608 CH 1H 470J-T	T	82.4/53.9
C1239	4030019990	S.CER C1005 JB 1C 104K-T	T	83.6/64.3
C1241	4030019990	S.CER C1005 JB 1C 104K-T	T	60.0/49.0
C1242	4030019990	S.CER C1005 JB 1C 104K-T	T	60.0/48.1
C1243	4030010750	S.CER C1608 CH 1H 201J-T	T	63.8/48.1
C1245	4030007000	S.CER C1608 CH 1H 090D-T	T	64.6/51.2
C1247	4030010750	S.CER C1608 CH 1H 201J-T	T	61.1/56.0
C1249	4030019990	S.CER C1005 JB 1C 104K-T	T	60.3/57.6
C1250	4030007090	S.CER C1608 CH 1H 470J-T	T	60.3/60.6
C1251	4030007110	S.CER C1608 CH 1H 680J-T	T	61.0/62.5
C1252	4030007130	S.CER C1608 CH 1H 101J-T	T	60.3/64.4
C1253	4030007070	S.CER C1608 CH 1H 330J-T	T	62.9/65.7
C1254	4030007120	S.CER C1608 CH 1H 820J-T	T	60.3/65.7
C1255	4030007060	S.CER C1608 CH 1H 270J-T	T	64.6/71.8
C1256	4030007090	S.CER C1608 CH 1H 470J-T	T	60.0/71.9
C1257	4030019990	S.CER C1005 JB 1C 104K-T	T	62.6/50.3
	4030019990	S.CER C1005 JB 1C 104K-T	[#03]	
	4030019990	S.CER C1005 JB 1C 104K-T	[#05]	
	4030019990	S.CER C1005 JB 1C 104K-T	[#06]	
C1261	4030019990	S.CER C1005 JB 1C 104K-T	T	69.2/39.7
	4030019990	S.CER C1005 JB 1C 104K-T	[#03]	
	4030019990	S.CER C1005 JB 1C 104K-T	[#05]	
	4030019990	S.CER C1005 JB 1C 104K-T	[#06]	
C1262	4030019990	S.CER C1005 JB 1C 104K-T	T	69.1/42.1
	4030019990	S.CER C1005 JB 1C 104K-T	[#03]	
	4030019990	S.CER C1005 JB 1C 104K-T	[#05]	
	4030019990	S.CER C1005 JB 1C 104K-T	[#06]	
C1263	4030007130	S.CER C1608 CH 1H 101J-T	T	69.6/43.6
	4030007130	S.CER C1608 CH 1H 101J-T	[#03]	
	4030007130	S.CER C1608 CH 1H 101J-T	[#05]	
	4030007130	S.CER C1608 CH 1H 101J-T	[#06]	
C1265	4030007020	S.CER C1608 CH 1H 120J-T	T	72.8/44.3
	4030007020	S.CER C1608 CH 1H 120J-T	[#03]	
	4030007020	S.CER C1608 CH 1H 120J-T	[#05]	
	4030007020	S.CER C1608 CH 1H 120J-T	[#06]	
C1267	4030007130	S.CER C1608 CH 1H 101J-T	T	67.9/50.7
	4030007130	S.CER C1608 CH 1H 101J-T	[#03]	
	4030007130	S.CER C1608 CH 1H 101J-T	[#05]	
	4030007130	S.CER C1608 CH 1H 101J-T	[#06]	
C1269	4030007070	S.CER C1608 CH 1H 330J-T	T	67.9/54.1
	4030007070	S.CER C1608 CH 1H 330J-T	[#03]	
	4030007070	S.CER C1608 CH 1H 330J-T	[#05]	
	4030007070	S.CER C1608 CH 1H 330J-T	[#06]	
C1270	4030007030	S.CER C1608 CH 1H 150J-T	T	70.9/55.7
	4030007030	S.CER C1608 CH 1H 150J-T	[#03]	
	4030007030	S.CER C1608 CH 1H 150J-T	[#05]	
	4030007030	S.CER C1608 CH 1H 150J-T	[#06]	
C1271	4030011540	S.CER C1608 CH 1H 750J-T	T	67.9/55.8
	4030011540	S.CER C1608 CH 1H 750J-T	[#03]	
	4030011540	S.CER C1608 CH 1H 750J-T	[#05]	
	4030011540	S.CER C1608 CH 1H 750J-T	[#06]	

Eqv.= This component is equivalent to the REF No. component listed above, and may be substituted on parts orders and repairs.

[RF UNIT]

REF NO.	PART NO.	DESCRIPTION	M.	H/V LOCATION
C1272	4030006990	S.CER C1608 CH 1H 080D-T	T	68.6/58.1
	4030006990	S.CER C1608 CH 1H 080D-T	[#03]	
	4030006990	S.CER C1608 CH 1H 080D-T	[#05]	
	4030006990	S.CER C1608 CH 1H 080D-T	[#06]	
C1273	4030007090	S.CER C1608 CH 1H 470J-T	T	67.9/60.3
	4030007090	S.CER C1608 CH 1H 470J-T	[#03]	
	4030007090	S.CER C1608 CH 1H 470J-T	[#05]	
	4030007090	S.CER C1608 CH 1H 470J-T	[#06]	
C1274	4030007120	S.CER C1608 CH 1H 820J-T	T	72.5/61.9
	4030007120	S.CER C1608 CH 1H 820J-T	[#03]	
	4030007120	S.CER C1608 CH 1H 820J-T	[#05]	
	4030007120	S.CER C1608 CH 1H 820J-T	[#06]	
C1275	4030007090	S.CER C1608 CH 1H 470J-T	T	70.2/61.5
	4030007090	S.CER C1608 CH 1H 470J-T	[#03]	
	4030007090	S.CER C1608 CH 1H 470J-T	[#05]	
	4030007090	S.CER C1608 CH 1H 470J-T	[#06]	
C1276	4030007070	S.CER C1608 CH 1H 330J-T	T	72.5/64.7
	4030007070	S.CER C1608 CH 1H 330J-T	[#03]	
	4030007070	S.CER C1608 CH 1H 330J-T	[#05]	
	4030007070	S.CER C1608 CH 1H 330J-T	[#06]	
C1277	4030007130	S.CER C1608 CH 1H 101J-T	T	71.0/66.6
	4030007130	S.CER C1608 CH 1H 101J-T	[#03]	
	4030007130	S.CER C1608 CH 1H 101J-T	[#05]	
	4030007130	S.CER C1608 CH 1H 101J-T	[#06]	
C1278	4030007060	S.CER C1608 CH 1H 270J-T	T	71.8/68.7
	4030007060	S.CER C1608 CH 1H 270J-T	[#03]	
	4030007060	S.CER C1608 CH 1H 270J-T	[#05]	
	4030007060	S.CER C1608 CH 1H 270J-T	[#06]	
C1279	4030010760	S.CER C1608 CH 1H 331J-T	T	71.0/71.1
	4030010760	S.CER C1608 CH 1H 331J-T	[#03]	
	4030010760	S.CER C1608 CH 1H 331J-T	[#05]	
	4030010760	S.CER C1608 CH 1H 331J-T	[#06]	
C1280	4030007090	S.CER C1608 CH 1H 470J-T	T	73.3/70.2
	4030007090	S.CER C1608 CH 1H 470J-T	[#03]	
	4030007090	S.CER C1608 CH 1H 470J-T	[#05]	
	4030007090	S.CER C1608 CH 1H 470J-T	[#06]	
C1291	4030008560	S.CER C1608 CH 1H 300J-T	T	85.1/53.9
C1292	4030007160	S.CER C1608 CH 1H 181J-T	T	85.1/59.1
C1293	4030007080	S.CER C1608 CH 1H 390J-T	T	86.6/61.3
C1294	4030007120	S.CER C1608 CH 1H 820J-T	T	85.9/63.8
C1295	4030007090	S.CER C1608 CH 1H 470J-T	T	86.6/65.7
C1301	4030019990	S.CER C1005 JB 1C 104K-T	T	30.7/18.6
C1302	4030019990	S.CER C1005 JB 1C 104K-T	T	21.1/18.6
C1303	4030019990	S.CER C1005 JB 1C 104K-T	T	11.6/18.6
C1311	4030017460	S.CER C1005 JB 1H 102K-T	T	43.3/5.7
C1312	4030017460	S.CER C1005 JB 1H 102K-T	T	42.8/16.4
C1313	4030017400	S.CER C1005 CH 1H 220J-T	T	42.3/5.7
C1314	4030017400	S.CER C1005 CH 1H 220J-T	T	41.8/16.4
C1315	4030017460	S.CER C1005 JB 1H 102K-T	T	41.3/5.7
C1316	4030017400	S.CER C1005 CH 1H 220J-T	T	40.8/16.4
C1317	4030017460	S.CER C1005 JB 1H 102K-T	T	40.3/5.7
C1318	4030017460	S.CER C1005 JB 1H 102K-T	T	39.8/16.4
C1319	4030017460	S.CER C1005 JB 1H 102K-T	T	39.3/5.7
C1320	4030017460	S.CER C1005 JB 1H 102K-T	T	38.8/16.4
C1321	4030017460	S.CER C1005 JB 1H 102K-T	T	38.3/5.7
C1322	4030017460	S.CER C1005 JB 1H 102K-T	T	37.8/16.4
C1323	4030017460	S.CER C1005 JB 1H 102K-T	T	37.3/5.7
C1324	4030017460	S.CER C1005 JB 1H 102K-T	T	36.8/16.4
C1325	4030017460	S.CER C1005 JB 1H 102K-T	T	36.3/5.7
C1326	4030017460	S.CER C1005 JB 1H 102K-T	T	35.8/16.4
C1401	4030019990	S.CER C1005 JB 1C 104K-T	T	35.4/72.7
C1402	4030019990	S.CER C1005 JB 1C 104K-T	T	26.7/70.9
C1411	4030019990	S.CER C1005 JB 1C 104K-T	T	38.5/69.6
C1412	4030019560	S.CER GRM21BB31C106KE15L	T	53.6/71.3
C1413	4030019120	S.CER GRM188B31E105KA75D	T	52.0/70.1
C1414	4030019120	S.CER GRM188B31E105KA75D	T	48.8/70.1
C1415	4030019120	S.CER GRM188B31E105KA75D	T	50.4/80.3
C1416	4030019120	S.CER GRM188B31E105KA75D	T	48.8/80.3
C1417	4030019120	S.CER		

[RF UNIT]

[PA UNIT]

REF NO.	PART NO.	DESCRIPTION	M.	H/V LOCATION
EP1312	6910019900	S.BEA MPZ1608S601AT	T	49.4/14.0
EP1313	6910023350	S.BEA MMZ1005B601CT	T	46.8/14.3
EP1314	6910021240	S.BEA MMZ1005A152ET	T	39.3/7.9
EP1315	6910021240	S.BEA MMZ1005A152ET	T	38.8/14.3
EP1316	6910021240	S.BEA MMZ1005A152ET	T	38.3/7.9
EP1317	6910021240	S.BEA MMZ1005A152ET	T	37.8/14.3
EP1318	6910021240	S.BEA MMZ1005A152ET	T	37.3/7.9
EP1319	6910021240	S.BEA MMZ1005A152ET	T	36.8/14.3
EP1320	6910021240	S.BEA MMZ1005A152ET	T	36.3/7.9
EP1321	6910021240	S.BEA MMZ1005A152ET	T	35.8/14.3

REF NO.	PART NO.	DESCRIPTION	M.	H/V LOCATION
IC211	1110007950	S.IC INA199A2DCKR	T	98.6/90.2
IC221	1180002080	S.REG BA09FP-E2	T	105.4/72.7
IC751	11300010550	S.IC SN74AHC595PWR	T	20.5/81.0
IC981	1110008550	S.IC NJM2904CRB1-TE1-#HMZR	T	9.9/72.1
Q101	1560001091	S.FET 2SK2854 (T2LICOMF)	T	19.3/165.5
Q111	1560001550	S.FET RD01MUS2-T113	T	30.0/161.9
Q121	1560001530	FET RD15HVF1-101		
Q131	1560001591	FET RD70HVF1C-121		
Q132	1560001591	FET RD70HVF1C-121		
Q221	1590005140	S.FET TJ50S06M3L	T	107.0/82.3
Q222	1560002190	S.FET RUM002N02T2L	T	112.5/81.8
Q341	1590004690	S.TRA LDTC143ZET1G	T	10.9/103.8
Q342	1590004310	S.TRA LDTA114EET1G	T	13.2/103.8
Q771	1590004690	S.TRA LDTC143ZET1G	T	28.0/73.7
Q772	1590004690	S.TRA LDTC143ZET1G	T	28.0/75.8
Q773	1590004690	S.TRA LDTC143ZET1G	T	28.0/77.9
Q774	1590004690	S.TRA LDTC143ZET1G	T	28.0/80.0
Q775	1590004690	S.TRA LDTC143ZET1G	T	28.0/82.1
Q776	1590004690	S.TRA LDTC143ZET1G	T	28.0/84.2
Q777	1590004690	S.TRA LDTC143ZET1G	T	28.0/86.3
Q778	1590004690	S.TRA LDTC143ZET1G	T	28.0/88.4
Q781	1590004040	S.TRA LDTA123YET1G	T	30.4/73.2
Q782	1590004040	S.TRA LDTA123YET1G	T	30.4/75.3
Q783	1590004040	S.TRA LDTA123YET1G	T	30.4/77.4
Q784	1590004040	S.TRA LDTA123YET1G	T	30.4/79.5
Q785	1590004040	S.TRA LDTA123YET1G	T	30.4/81.6
Q786	1590004040	S.TRA LDTA123YET1G	T	30.4/83.7
Q787	1590004040	S.TRA LDTA123YET1G	T	30.4/85.8
Q811	1530003960	S.TRA KTC2875-B-RTK/P	T	44.2/4.7
D101	1750001180	S.DIO KDS122 RTK/P	T	12.3/157.8
D102	1750001180	S.DIO KDS122 RTK/P	T	14.8/157.8
D171	1750001810	S.DIO L1SS400T1G	T	66.4/126.3
D172	1750001810	S.DIO L1SS400T1G	T	37.5/126.3
D201	1750002000	S.ZEN DZ2J180M0L	T	86.4/132.6
D202	1710000831	S.DIO DF30SC4M-7072	T	97.5/130.4
D203	1750003510	S.ZEN TPSMD15A	T	79.0/142.5
D301	1750002230	S.DIO LRB751S-40T1G	T	76.6/133.4
D302	1750002230	S.DIO LRB751S-40T1G	T	27.4/133.4
D801	1750001180	S.DIO KDS122 RTK/P	T	76.9/6.8
D811	1750003100	S.DIO BAR64-02V	T	50.7/4.8
D812	1750003100	S.DIO BAR64-02V	T	47.3/4.8
D820	1750001180	S.DIO KDS122 RTK/P	T	41.7/58.3
D840	1750001180	S.DIO KDS122 RTK/P	T	99.5/64.8
D860	1750001180	S.DIO KDS122 RTK/P	T	87.3/64.8
D880	1750001180	S.DIO KDS122 RTK/P	T	53.6/58.3
D900	1750001180	S.DIO KDS122 RTK/P	T	15.2/58.8
D920	1750001180	S.DIO KDS122 RTK/P	T	111.4/64.8
D940	1750001180	S.DIO KDS122 RTK/P	T	29.1/58.3
D961	1750002230	S.DIO LRB751S-40T1G	T	84.3/2.2
D962	1750002230	S.DIO LRB751S-40T1G	T	98.1/2.2
D965	1750001810	S.DIO L1SS400T1G	T	24.3/88.9
D966	1750001810	S.DIO L1SS400T1G	T	24.3/87.6
L101	6200005051	S.COI NLV25T-330J-PF	B	65.0/49.2
L112	6200005131	S.COI NLC453232T-101K-PF	T	32.8/156.5
L121	6200010160	S.COI AS080440-22N	T	43.6/150.8
L131	6140005580	COI LR-606		
L132	6140005300	COI LR-580 (TRB10X5X5 6DB)		
L133	6140005570	COI LR-605		
L134	6140004570	COI LR-507		
L306	6110001730	COI LA-262		
L331	6200003241	S.COI NLV32T-221J-PF	T	12.3/140.4
L332	6200003241	S.COI NLV32T-221J-PF	T	12.3/143.4
L711	6200002041	S.COI NLV25T-101J-PF	T	102.4/66.9
L801	6200010650	S.COI C2520C-R12G-A (0.12U)	T	62.3/4.0
L802	6200010650	S.COI C2520C-R12G-A (0.12U)	T	66.7/5.0
L803	6200002041	S.COI NLV25T-101J-PF	T	76.9/4.3
L820	6200002041	S.COI NLV25T-101J-PF	T	38.9/58.7
L822	6110002900	COI LA-479		
L823	6140003460	COI LR-388 (T50-10)		
L831	6200002041	S.COI NLV25T-101J-PF	T	52.5/11.3
L840	6200002041	S.COI NLV25T-101J-PF	T	96.7/65.1
L841	6140001820	COI LR-218 (T50-10)		
L842	6140001800	COI LR-216 (T50-2)		
L851	6200002041	S.COI NLV25T-101J-PF	T	97.3/18.0
L860	6200002041	S.COI NLV25T-101J-PF	T	82.6/65.1
L861	6110003980	COI LA-604		
L862	6110003880	COI LA-590		
L863	6110003550	COI LA-547 (LA-214A)		
L871	6200002041	S.COI NLV25T-101J-PF	T	82.7/17.4
L880	6200002041	S.COI NLV25T-101J-PF	T	50.8/58.7
L881	6140002570	COI LR-294 (T50-2)		
L882	6140002580	COI LR-295 (T50-2)		
L891	6200002041	S.COI NLV25T-101J-PF	T	67.3/10.4
L900	6200002041	S.COI NLV25T-101J-PF	T	12.4/59.4
L901	6140002560	COI LR-293 (T50-10)		
L902	6140002560	COI LR-293 (T50-10)		
L903	6140002560	COI LR-293 (T50-10)		
L911	6200002041	S.COI NLV25T-101J-PF	T	23.0/11.3
L920	6200002041	S.COI NLV25T-101J-PF	T	108.6/64.3
L921	6140001800	COI LR-216 (T50-2)		
L922	6140001780	COI LR-214 (T50-2)		
L931	6200002041	S.COI NLV25T-101J-PF	T	112.0/18.6
L940	6200002041	S.COI NLV25T-101J-PF	T	26.3/58.7
L942	6140003540	COI LR-396		
L943	6140002020	COI LR-229 (T50-10)		
L951	6200002041	S.COI NLV25T-101J-PF	T	37.8/11.3
L952	6200002041	S.COI NLV25T-101J-PF	T	3.3/58.5
L961	6140004721	COI LR-532A		

Eqv.= This component is equivalent to the REF No. component listed above, and may be substituted on parts orders and repairs.

M.=Mounted side (T: Mounted on the Top side, B: Mounted on the Bottom side)
H/V LOCATION=See the BOARD LAYOUTS for details.

[PA UNIT]

Table with columns: REF NO., PART NO., DESCRIPTION, M., H/V LOCATION. Contains parts like S.COI NLV25T-101J-PF, S.RES ERJ2GEJ 271 X (270), etc.

[PA UNIT]

Table with columns: REF NO., PART NO., DESCRIPTION, M., H/V LOCATION. Contains parts like S.CER C1005 JB 1C 104K-T, S.CER C3225 CH 2J 682K-T, etc.

Eqv.= This component is equivalent to the REF No. component listed above, and may be substituted on parts orders and repairs.

M.=Mounted side (T: Mounted on the Top side, B: Mounted on the Bottom side) H/V LOCATION=See the BOARD LAYOUTS for details.

[PA UNIT]

REF NO.	PART NO.	DESCRIPTION	M.	H/V LOCATION
C862	4030020740	S.CER GRM31A5C2J180JW01D	T	60.5/58.8
C863	4030021200	S.CER GRM31A5C2J120JW01D	T	62.6/58.8
C864	4030021010	S.CER GRM31A5C2J390JW01D	T	61.1/54.7
C865	4030011080	S.CER GRM31M2C2H6R0DV01L	T	63.8/34.2
C866	4030020760	S.CER GRM31A5C2J270JW01D	T	63.8/25.3
C868	4030020770	S.CER GRM31A5C2J330JW01D	T	63.8/29.5
C869	4030020770	S.CER GRM31A5C2J330JW01D	T	63.0/18.5
C871	4030019990	S.CER C1005 JB 1C 104K-T	T	80.9/17.4
C875	4030021200	S.CER GRM31A5C2J120JW01D	T	64.8/21.9
C876	4030020760	S.CER GRM31A5C2J270JW01D	T	63.8/27.4
C877	4030020770	S.CER GRM31A5C2J330JW01D	T	61.1/52.6
C881	4030019990	S.CER C1005 JB 1C 104K-T	T	53.2/56.5
C882	4030021220	S.CER GRM31B5C2J681JW01L	T	57.8/43.2
C883	4030021220	S.CER GRM31B5C2J681JW01L	T	56.3/46.9
C884	4030020720	S.CER GRM31A5C2J391JW01D	T	56.3/39.6
C885	4030021220	S.CER GRM31B5C2J681JW01L	T	57.9/33.6
C886	4030018480	S.CER GRM31A5C2J221JW01D	T	51.6/31.5
C888	4030021220	S.CER GRM31B5C2J681JW01L	T	51.4/23.8
C889	4030020810	S.CER GRM31A5C2J820JW01D	T	52.7/19.7
C890	4030021220	S.CER GRM31B5C2J681JW01L	T	57.0/18.0
C891	4030019990	S.CER C1005 JB 1C 104K-T	T	65.5/11.3
C893	4030021220	S.CER GRM31B5C2J681JW01L	T	51.0/27.4
C894	4030018350	S.CER GRM31A5C2J151JW01D	T	57.9/35.7
C896	4030021220	S.CER GRM31B5C2J681JW01L	T	57.0/22.2
C897	4030018480	S.CER GRM31A5C2J221JW01D	T	57.0/20.1
C899	4030020800	S.CER GRM31A5C2J680JW01D	T	49.9/19.7
C901	4030019990	S.CER C1005 JB 1C 104K-T	T	14.8/57.1
C902	4030021020	S.CER GRM31A5C2J101JW01D	T	5.8/38.2
C903	4030021020	S.CER GRM31A5C2J101JW01D	T	5.8/40.3
C904	4030020760	S.CER GRM31A5C2J270JW01D	T	11.0/40.3
C905	4030020810	S.CER GRM31A5C2J820JW01D	T	11.0/38.2
C906	4030021020	S.CER GRM31A5C2J101JW01D	T	5.8/27.1
C907	4030021020	S.CER GRM31A5C2J101JW01D	T	5.8/25.0
C908	4030020790	S.CER GRM31A5C2J560JW01D	T	11.0/26.1
C909	4030020800	S.CER GRM31A5C2J680JW01D	T	6.5/14.0
C911	4030019990	S.CER C1005 JB 1C 104K-T	T	21.3/11.9
C921	4030019990	S.CER C1005 JB 1C 104K-T	T	110.9/63.0
C922	4030021040	S.CER GRM31A5C2J271JW01D	T	102.7/53.2
C923	4030021040	S.CER GRM31A5C2J271JW01D	T	100.6/47.5
C924	4030021040	S.CER GRM31A5C2J271JW01D	T	101.5/39.6
C925	4030020810	S.CER GRM31A5C2J820JW01D	T	103.0/36.0
C926	4030018340	S.CER GRM31A5C2J331JW01D	T	101.5/43.9
C927	4030021040	S.CER GRM31A5C2J271JW01D	T	101.5/26.6
C928	4030018340	S.CER GRM31A5C2J331JW01D	T	101.5/24.5
C929	4030018340	S.CER GRM31A5C2J331JW01D	T	101.5/41.8
C931	4030019990	S.CER C1005 JB 1C 104K-T	T	110.3/18.6
C933	4030021030	S.CER GRM31A5C2J181JW01D	T	100.6/53.2
C934	4030018350	S.CER GRM31A5C2J151JW01D	T	102.7/47.5
C941	4030019990	S.CER C1005 JB 1C 104K-T	T	28.7/56.5
C944	4030021010	S.CER GRM31A5C2J390JW01D	T	27.9/48.1
C945	4030020790	S.CER GRM31A5C2J560JW01D	T	26.4/44.6
C946	4030020780	S.CER GRM31A5C2J470JW01D	T	26.4/39.0
C949	4030021020	S.CER GRM31A5C2J101JW01D	T	27.5/28.6
C950	4030020760	S.CER GRM31A5C2J270JW01D	T	26.2/25.0
C951	4030019990	S.CER C1005 JB 1C 104K-T	T	36.0/11.9
C953	4030020780	S.CER GRM31A5C2J470JW01D	T	27.7/17.2
C954	4030020790	S.CER GRM31A5C2J560JW01D	T	27.7/19.3
C961	4030011040	S.CER GRM31M4C2H2R0CY21L	T	83.9/9.5
C962	4030009920	S.CER C1608 CH 1H 050B-T	T	84.3/5.5
C963	4030011540	S.CER C1608 CH 1H 750J-T	T	83.0/5.5
C966	4030008650	S.CER C1608 JB 1H 332K-T	T	96.7/2.2
C969	4030011040	S.CER GRM31M4C2H2R0CY21L	T	97.1/9.5
C970	4030011540	S.CER C1608 CH 1H 750J-T	T	96.7/5.5
C971	4030009920	S.CER C1608 CH 1H 050B-T	T	98.1/5.5
C972	4030011040	S.CER GRM31M4C2H2R0CY21L	T	99.4/12.4
C983	4030017460	S.CER C1005 JB 1H 102K-T	T	7.4/67.5
C985	4030019990	S.CER C1005 JB 1C 104K-T	T	12.3/70.5
C986	4030017460	S.CER C1005 JB 1H 102K-T	T	3.8/10.1
C987	4030017730	S.CER C1005 JB 1H 471K-T	T	2.8/11.2
RL801	6330002020	REL FTR-B4CA009Z		
RL820	6330002020	REL FTR-B4CA009Z		
RL821	6330002020	REL FTR-B4CA009Z		
RL840	6330002020	REL FTR-B4CA009Z		
RL841	6330002020	REL FTR-B4CA009Z		
RL860	6330002020	REL FTR-B4CA009Z		
RL861	6330002020	REL FTR-B4CA009Z		
RL880	6330002020	REL FTR-B4CA009Z		
RL881	6330002020	REL FTR-B4CA009Z		
RL900	6330002020	REL FTR-B4CA009Z		
RL901	6330002020	REL FTR-B4CA009Z		
RL920	6330002020	REL FTR-B4CA009Z		
RL921	6330002020	REL FTR-B4CA009Z		
RL940	6330002020	REL FTR-B4CA009Z		
RL941	6330002020	REL FTR-B4CA009Z		
J101	6510028210	CON SJ050010 (TMP-J01X-V6)		
J301	6510022472	S.CON 40FLT-SM2-TB (LF) (SN) (M)	T	9.5/89.0
J331	6510018971	S.CON B4B-PH-SM4-TB (LF) (SN)	T	5.0/144.4
J801	6510028210	CON SJ050010 (TMP-J01X-V6)		
J961	6510028210	CON SJ050010 (TMP-J01X-V6)		
F2	5210000940	FUS 1205		
F201	5220000400	HOL FHA010-01F		

[PA UNIT]

REF NO.	PART NO.	DESCRIPTION	M.	H/V LOCATION
W1	8900017860	CAB OPC-1857	[#02]	
	8900018220	CAB OPC-1943	[#03]	
	8900018220	CAB OPC-1943	[#05]	
	8900018220	CAB OPC-1943	[#06]	
	8900017860	CAB OPC-1857	[#07]	
	8900017860	CAB OPC-1857	[#08]	
	8900017860	CAB OPC-1857	[#12]	
EP111	6910014690	S.BEA MPZ1608S221A-T	T	26.6/154.9
EP121	6910012350	S.BEA MMZ1608Y 102BT	T	34.1/166.3
EP131	6910014640	S.BEA MPZ2012S221A-T	T	71.8/149.1
EP132	6910014640	S.BEA MPZ2012S221A-T	T	71.8/150.9
EP301	6910020910	S.BEA MPZ1608S300AT	T	6.1/81.3
EP302	6910019100	S.BEA MPZ1608S101AT	T	6.1/85.3
EP303	6910021240	S.BEA MMZ1005A152ET	T	6.5/91.3
EP305	6910021240	S.BEA MMZ1005A152ET	T	12.9/92.8
EP306	6910021240	S.BEA MMZ1005A152ET	T	12.9/93.8
EP307	6910021240	S.BEA MMZ1005A152ET	T	6.5/94.3
EP308	6910021240	S.BEA MMZ1005A152ET	T	12.9/94.8
EP309	6910021240	S.BEA MMZ1005A152ET	T	6.5/95.3
EP311	6910021240	S.BEA MMZ1005A152ET	T	6.5/96.3
EP312	6910021240	S.BEA MMZ1005A152ET	T	12.9/96.8
EP331	6910018930	S.BEA MPZ2012S601A	T	11.9/145.8
EP332	6910018930	S.BEA MPZ2012S601A	T	10.9/148.6

Eqv.= This component is equivalent to the REF No. component listed above, and may be substituted on parts orders and repairs.

M.=Mounted side (T: Mounted on the Top side, B: Mounted on the Bottom side)
H/V LOCATION=See the BOARD LAYOUTS for details.

[TUNER UNIT]

REF NO.	PART NO.	DESCRIPTION	M.	H/V LOCATION
W2001	8970024721	1.5D 140MM-1 C31/C31		
IC1701	1110008620	S.IC BA2903SFVM-TR	T	14.1/48.9
IC1901	1110008550	S.IC NJM2904CRB1-TE1-#HMZR	T	34.8/12.5
IC2811	1130009670	S.IC BU2092FV-E2	T	22.5/22.6
IC2821	1130009670	S.IC BU2092FV-E2	T	13.5/22.6
IC2831	1130009670	S.IC BU2092FV-E2	T	31.5/22.6
IC2841	1130009670	S.IC BU2092FV-E2	T	40.5/22.6
Q1611	1530002691	S.TRA 2SC4116-GR (TE85RF)	T	48.9/28.3
Q1621	1530002691	S.TRA 2SC4116-GR (TE85RF)	T	48.9/25.8
D1011	1750001850	S.DIO LDAN222T1G	T	26.7/84.2
D1021	1750001850	S.DIO LDAN222T1G	T	57.6/45.5
D1201	1750002940	S.DIO MMBD452LT1G	T	12.4/74.5
D1261	1750001850	S.DIO LDAN222T1G	T	15.6/43.3
D1271	1750002940	S.DIO MMBD452LT1G	T	48.2/16.6
D1311	1750002950	S.DIO MMBD352LT1G	T	26.4/48.3
D1312	1750002950	S.DIO MMBD352LT1G	T	22.3/48.3
D1341	1750001850	S.DIO LDAN222T1G	T	13.8/53.8
D1505	1750002230	S.DIO LRB751S-40T1G	T	51.9/15.5
D1506	1750002230	S.DIO LRB751S-40T1G	T	53.2/15.5
D2311	1750001850	S.DIO LDAN222T1G	T	76.5/84.9
D2321	1750001850	S.DIO LDAN222T1G	T	85.6/84.9
D2331	1750001850	S.DIO LDAN222T1G	T	94.6/84.9
D2341	1750001850	S.DIO LDAN222T1G	T	103.7/84.9
D2351	1750001850	S.DIO LDAN222T1G	T	112.8/86.9
D2361	1750001850	S.DIO LDAN222T1G	T	121.9/86.9
D2371	1750001850	S.DIO LDAN222T1G	T	131.0/86.9
D2381	1750001850	S.DIO LDAN222T1G	T	140.0/88.9
D2391	1750001850	S.DIO LDAN222T1G	T	149.1/88.9
D2411	1750001850	S.DIO LDAN222T1G	T	63.1/9.8
D2421	1750001850	S.DIO LDAN222T1G	T	72.3/9.8
D2431	1750001850	S.DIO LDAN222T1G	T	81.3/9.8
D2441	1750001850	S.DIO LDAN222T1G	T	90.4/9.8
D2451	1750001850	S.DIO LDAN222T1G	T	99.5/9.8
D2461	1750001850	S.DIO LDAN222T1G	T	108.6/9.8
D2471	1750001850	S.DIO LDAN222T1G	T	117.6/9.8
D2481	1750001850	S.DIO LDAN222T1G	T	126.7/9.8
D2491	1750001850	S.DIO LDAN222T1G	T	135.8/9.8
D2511	1750001850	S.DIO LDAN222T1G	T	67.4/84.2
D2521	1750001850	S.DIO LDAN222T1G	T	158.2/88.2
D2551	1750001850	S.DIO LDAN222T1G	T	56.2/26.7
D2561	1750001850	S.DIO LDAN222T1G	T	144.8/9.8
D2581	1750001850	S.DIO LDAN222T1G	T	154.0/5.8
L1009	6200010160	S.COI AS080440-22N	T	60.1/66.8
L1311	6140002810	S.COI LR-317	T	24.7/54.0
L1312	6140002810	S.COI LR-317	T	24.9/42.6
L1501	6140005560	COI LR-604		
L2011	6110003620	COI LA-559		
L2021	6110002750	COI LA-459		
L2031	6110002760	COI LA-460		
L2041	6110002770	COI LA-461		
L2051	6110002780	COI LA-462		
L2061	6110002790	COI LA-463		
L2071	6110002800	COI LA-464		
L2081	6140004900	COI LR-542 T68-2		
L2091	6140004870	COI LR-539 T68-2		
L2099	6200010170	S.COI AS080447-33N	T	147.4/67.9
R1011	7030004980	S.RES ERJ2GEJ 101 X (100)	T	24.0/82.8
R1021	7030004980	S.RES ERJ2GEJ 101 X (100)	T	59.8/46.1
R1031	7540000330	S.ABS CSA70-401-T	T	57.8/71.7
R1032	7030013250	S.RES ERJ8GEYJ 104V (100 k)	T	58.2/75.0
R1202	7030007290	S.RES ERJ2GEJ 222 X (2.2 k)	T	11.4/76.4
R1203	7030005090	S.RES ERJ2GEJ 104 X (100 k)	T	13.0/77.3
R1251	7030007300	S.RES ERJ2GEJ 332 X (3.3 k)	T	12.3/41.4
R1252	7030005290	S.RES ERJ2GEJ 682 X (6.8 k)	T	11.8/40.0
R1261	7030005240	S.RES ERJ2GEJ 473 X (47 k)	T	12.6/43.6
R1263	7030005110	S.RES ERJ2GEJ 224 X (220 k)	T	14.0/45.3
R1264	7030005110	S.RES ERJ2GEJ 224 X (220 k)	T	13.1/45.3
R1272	7030007290	S.RES ERJ2GEJ 222 X (2.2 k)	T	49.2/14.1
R1301	7030005530	S.RES ERJ2GEJ 100 X (10)	T	23.1/61.2
R1341	7030005050	S.RES ERJ2GEJ 103 X (10 k)	T	24.7/58.7
R1342	7030007290	S.RES ERJ2GEJ 222 X (2.2 k)	T	25.9/59.2
R1351	7030004970	S.RES ERJ2GEJ 470 X (47)	T	24.9/35.0
R1361	7030005120	S.RES ERJ2GEJ 102 X (1 k)	T	13.3/52.2
R1362	7030005100	S.RES ERJ2GEJ 154 X (150 k)	T	13.8/56.2
R1364	7030005050	S.RES ERJ2GEJ 103 X (10 k)	T	14.9/52.2
R1365	7030007290	S.RES ERJ2GEJ 222 X (2.2 k)	T	16.5/52.2
R1401	7030014150	S.RES LTR50UZIP151	T	37.7/75.2
R1402	7030014150	S.RES LTR50UZIP151	T	37.7/79.2
R1411	7030014150	S.RES LTR50UZIP151	T	43.3/75.2
R1412	7030014150	S.RES LTR50UZIP151	T	43.3/79.2
R1421	7030014150	S.RES LTR50UZIP151	T	48.9/75.2
R1422	7030014150	S.RES LTR50UZIP151	T	48.9/79.2
R1431	7030014140	S.RES LTR50UZIP121	T	39.3/70.2
R1432	7030014130	S.RES LTR50UZIP101	T	43.3/70.2
R1441	7030014140	S.RES LTR50UZIP121	T	39.3/64.6
R1442	7030014130	S.RES LTR50UZIP101	T	43.3/64.6
R1451	7030014140	S.RES LTR50UZIP121	T	39.3/59.0
R1452	7030014130	S.RES LTR50UZIP101	T	43.3/59.0
R1461	7030014170	S.RES LTR50UZIP331	T	48.9/70.2
R1471	7030014170	S.RES LTR50UZIP331	T	48.9/64.6
R1481	7030014160	S.RES LTR50UZIP271	T	48.9/59.0
R1501	7030006220	S.RES ERJ12YJ470U (47)	T	40.3/54.3
R1502	7030007520	S.RES ERJ8ENF 1000V (100)	T	46.1/35.2
R1503	7030006220	S.RES ERJ12YJ470U (47)	T	46.5/54.3

[TUNER UNIT]

REF NO.	PART NO.	DESCRIPTION	M.	H/V LOCATION
R1504	7030006220	S.RES ERJ12YJ470U (47)	T	50.2/35.2
R1505	7030007520	S.RES ERJ8ENF 1000V (100)	T	44.0/35.2
R1506	7030005240	S.RES ERJ2GEJ 473 X (47 k)	T	52.1/12.3
R1507	7030008300	S.RES ERJ2GEJ 184 X (180 k)	T	51.2/12.3
R1611	7030004990	S.RES ERJ2GEJ 221 X (220)	T	50.3/23.6
R1612	7030005050	S.RES ERJ2GEJ 103 X (10 k)	T	48.2/24.1
R1613	7030005050	S.RES ERJ2GEJ 103 X (10 k)	T	46.6/24.1
R1614	7030005050	S.RES ERJ2GEJ 103 X (10 k)	T	46.7/29.0
R1615	7030005120	S.RES ERJ2GEJ 102 X (1 k)	T	46.7/27.7
R1625	7030005120	S.RES ERJ2GEJ 102 X (1 k)	T	46.7/25.2
R1701	7030004980	S.RES ERJ2GEJ 101 X (100)	T	16.7/46.3
R1805	7030004980	S.RES ERJ2GEJ 101 X (100)	T	25.0/10.6
R1806	7030004980	S.RES ERJ2GEJ 101 X (100)	T	24.5/3.8
R1807	7030004980	S.RES ERJ2GEJ 101 X (100)	T	24.0/10.6
R1808	7030004980	S.RES ERJ2GEJ 101 X (100)	T	23.5/3.8
R1809	7030004980	S.RES ERJ2GEJ 101 X (100)	T	23.0/10.6
R1810	7030004980	S.RES ERJ2GEJ 101 X (100)	T	22.0/10.6
R1811	7030004980	S.RES ERJ2GEJ 101 X (100)	T	21.5/3.8
R1812	7030004980	S.RES ERJ2GEJ 101 X (100)	T	21.0/10.6
R1813	7030004980	S.RES ERJ2GEJ 101 X (100)	T	20.5/3.8
R1814	7030004980	S.RES ERJ2GEJ 101 X (100)	T	20.0/10.6
R1815	7030004980	S.RES ERJ2GEJ 101 X (100)	T	19.5/3.8
R1816	7030004980	S.RES ERJ2GEJ 101 X (100)	T	19.0/10.6
R1901	7030004980	S.RES ERJ2GEJ 101 X (100)	T	38.0/14.7
R1902	7030007280	S.RES ERJ2GEJ 331 X (330)	T	38.6/12.8
R1903	7030007280	S.RES ERJ2GEJ 331 X (330)	T	31.0/13.5
R2311	7030004980	S.RES ERJ2GEJ 101 X (100)	T	73.8/82.8
R2321	7030004980	S.RES ERJ2GEJ 101 X (100)	T	82.9/82.8
R2331	7030004980	S.RES ERJ2GEJ 101 X (100)	T	92.0/82.8
R2341	7030004980	S.RES ERJ2GEJ 101 X (100)	T	101.1/82.8
R2351	7030004980	S.RES ERJ2GEJ 101 X (100)	T	110.2/84.8
R2361	7030004980	S.RES ERJ2GEJ 101 X (100)	T	119.2/84.8
R2371	7030004980	S.RES ERJ2GEJ 101 X (100)	T	128.3/84.8
R2381	7030004980	S.RES ERJ2GEJ 101 X (100)	T	137.4/86.8
R2391	7030004980	S.RES ERJ2GEJ 101 X (100)	T	146.5/86.8
R2411	7030004980	S.RES ERJ2GEJ 101 X (100)	T	64.9/10.8
R2421	7030004980	S.RES ERJ2GEJ 101 X (100)	T	74.0/10.8
R2431	7030004980	S.RES ERJ2GEJ 101 X (100)	T	83.1/10.8
R2441	7030004980	S.RES ERJ2GEJ 101 X (100)	T	92.2/10.8
R2451	7030004980	S.RES ERJ2GEJ 101 X (100)	T	101.3/10.8
R2461	7030004980	S.RES ERJ2GEJ 101 X (100)	T	110.4/10.8
R2471	7030004980	S.RES ERJ2GEJ 101 X (100)	T	119.4/10.8
R2481	7030004980	S.RES ERJ2GEJ 101 X (100)	T	128.5/10.8
R2491	7030004980	S.RES ERJ2GEJ 101 X (100)	T	137.6/10.8
R2511	7030004980	S.RES ERJ2GEJ 101 X (100)	T	64.7/82.8
R2521	7030004980	S.RES ERJ2GEJ 101 X (100)	T	155.6/86.8
R2551	7030004980	S.RES ERJ2GEJ 101 X (100)	T	56.5/24.1
R2561	7030004980	S.RES ERJ2GEJ 101 X (100)	T	146.7/10.8
R2581	7030004980	S.RES ERJ2GEJ 101 X (100)	T	156.2/6.8
R2811	7410001170	S.ARR EXB28V470JX	T	20.7/28.3
R2812	7410001170	S.ARR EXB28V470JX	T	23.3/28.3
R2813	7410001170	S.ARR EXB28V470JX	T	23.0/17.0
R2814	7030005050	S.RES ERJ2GEJ 103 X (10 k)	T	9.5/25.5
R2821	7410001170	S.ARR EXB28V470JX	T	11.3/28.4
R2822	7410001170	S.ARR EXB28V470JX	T	15.3/28.2
R2823	7410001170	S.ARR EXB28V470JX	T	14.0/17.0
R2831	7410001170	S.ARR EXB28V470JX	T	30.7/28.2
R2832	7410001170	S.ARR EXB28V470JX	T	33.3/28.2
R2833	7410001170	S.ARR EXB28V470JX	T	32.0/17.0
R2841	7410001170	S.ARR EXB28V470JX	T	39.7/28.2
R2842	7410001170	S.ARR EXB28V470JX	T	42.3/28.2
R2843	7410001170	S.ARR EXB28V470JX	T	41.0/17.0
C1002	4030011020	S.CER GRM31M4C2H1R0CY21L	T	55.7/67.1
C1011	4030019990	S.CER C1005 JB 1C 104K-T	T	26.9/82.8
C1012	4030019990	S.CER C1005 JB 1C 104K-T	T	22.3/66.8
C1013	4030019990	S.CER C1005 JB 1C 104K-T	T	29.1/84.7
C1014	4030019990	S.CER C1005 JB 1C 104K-T	T	29.1/83.7
C1021	4030019990	S.CER C1005 JB 1C 104K-T	T	63.4/61.2
C1022	4030019990	S.CER C1005 JB 1C 104K-T	T	60.3/45.2
C1023	4030019990	S.CER C1005 JB 1C 104K-T	T	55.2/45.0
C1024	4030019990	S.CER C1005 JB 1C 104K-T	T	55.2/46.0
C1101	4030021000	S.CER GRM31A5C2J100JW01D	T	20.2/71.2
C1102	4030017440	S.CER C1005 CH 1H 221J-T	T	17.0/71.2
C1202	4030020950	S.CER C1005 CH 1H 331JT	T	13.0/76.4
C1203	4030016790	S.CER C1005 JB 1E 103K-T	T	31.5/11.7
C1251	4030016790	S.CER C1005 JB 1E 103K-T	T	12.7/40.0
C1261	4030016790	S.CER C1005 JB 1E 103K-T	T	14.0/43.2
C1262	4030016790	S.CER C1005 JB 1E 103K-T	T	12.6/42.6
C1263	4030016790	S.CER C1005 JB 1E 103K-T	T	15.6/45.4
C1271	4030019990	S.CER C1005 JB 1C 104K-T	T	47.8/18.5
C1272	4030020950	S.CER C1005 CH 1H 331JT	T	47.5/14.6
C1301	4030011070	S.CER GRM31M2C2H5R0CY21L	T	20.2/69.1
C1341	4030019990	S.CER C1005 JB 1C 104K-T	T	25.9/58.3
C1351	4030019990	S.CER C1005 JB 1C 104K-T	T	24.9/36.6
C1361	4030016790	S.CER C1005 JB 1E 103K-T	T	16.7/50.8
C1365	4030019990	S.CER C1005 JB 1C 104K-T	T	16.5/53.1
C1501	4030017640	S.CER C1005 CH 1H 150J-T	T	42.5/36.3
C1504	4030017660	S.CER C1005 CH 1H 330J-T	T	52.6/36.6
C1505	4030019990	S.CER C1005 JB 1C 104K-T	T	52.7/17.4
C1506	4030020950	S.CER C1005 CH 1H 331JT	T	51.6/13.5
C1507	4030016790	S.CER C1005 JB 1E 103K-T	T	38.0/11.3
C1601	4030017620	S.CER C1005 CH 1H 100C-T	T	49.5/30.1
C1602	4030018070	S.CER C1005 CH 1H 300J-T		

[TUNER UNIT]

REF NO.	PART NO.	DESCRIPTION	M.	H/V LOCATION
C1810	4030017420	S.CER C1005 CH 1H 470J-T	T	22.0/13.2
C1811	4030017420	S.CER C1005 CH 1H 470J-T	T	21.5/17.7
C1812	4030017420	S.CER C1005 CH 1H 470J-T	T	21.0/13.2
C1813	4030017420	S.CER C1005 CH 1H 470J-T	T	20.5/1.7
C1814	4030017420	S.CER C1005 CH 1H 470J-T	T	20.0/13.2
C1815	4030017420	S.CER C1005 CH 1H 470J-T	T	19.5/1.7
C1816	4030017460	S.CER C1005 JB 1H 102K-T	T	19.0/13.2
C1901	4030019990	S.CER C1005 JB 1C 104K-T	T	36.3/14.7
C2001	4030019990	S.CER C1005 JB 1C 104K-T	T	63.7/84.2
C2006	4030019990	S.CER C1005 JB 1C 104K-T	T	58.9/9.9
C2111	4030021850	S.CER GRM31A7U3D180JW31D	T	67.5/33.9
C2112	4030021850	S.CER GRM31A7U3D180JW31D	T	65.3/30.8
C2121	4030021860	S.CER GRM31A7U3D390JW31D	T	72.1/33.9
C2122	4030021890	S.CER GRM31A7U3D330JW31D	T	70.0/30.8
C2131	4010004800	CER DEC1X3J820JC4B		
C2132	4010004790	CER DEC1X3J680JC4B		
C2141	4030021870	S.CER GRM32A7U3D151JW31D	T	90.7/34.0
C2142	4030021870	S.CER GRM32A7U3D151JW31D	T	87.6/30.8
C2151	4030021870	S.CER GRM32A7U3D151JW31D	T	95.2/34.0
C2161	4030021870	S.CER GRM32A7U3D151JW31D	T	104.4/34.0
C2162	4030021870	S.CER GRM32A7U3D151JW31D	T	101.4/34.0
C2171	4010008720	CER DEA1X3D271JA2B		
C2172	4010008710	CER DEA1X3D331JA3B		
C2183	4320001230	S.MIC UC552H 1201J-T	T	125.1/33.0
C2191	4010009020	CER DEHR33F122KA3B		
C2192	4010009020	CER DEHR33F122KA3B		
C2281	4030021880	S.CER GRM42A7U3F560JW31L	T	154.3/28.0
C2282	4030021880	S.CER GRM42A7U3F560JW31L	T	156.6/25.5
C2311	4030019990	S.CER C1005 JB 1C 104K-T	T	76.7/82.8
C2312	4030019990	S.CER C1005 JB 1C 104K-T	T	76.7/66.3
C2313	4030019990	S.CER C1005 JB 1C 104K-T	T	78.9/85.4
C2314	4030019990	S.CER C1005 JB 1C 104K-T	T	78.9/84.4
C2321	4030019990	S.CER C1005 JB 1C 104K-T	T	85.8/82.8
C2322	4030019990	S.CER C1005 JB 1C 104K-T	T	85.8/66.3
C2323	4030019990	S.CER C1005 JB 1C 104K-T	T	88.0/85.4
C2324	4030019990	S.CER C1005 JB 1C 104K-T	T	88.0/84.4
C2331	4030019990	S.CER C1005 JB 1C 104K-T	T	94.8/82.8
C2332	4030019990	S.CER C1005 JB 1C 104K-T	T	94.9/66.3
C2333	4030019990	S.CER C1005 JB 1C 104K-T	T	97.1/85.4
C2334	4030019990	S.CER C1005 JB 1C 104K-T	T	97.1/84.4
C2341	4030019990	S.CER C1005 JB 1C 104K-T	T	103.9/82.8
C2342	4030019990	S.CER C1005 JB 1C 104K-T	T	103.9/66.3
C2343	4030019990	S.CER C1005 JB 1C 104K-T	T	106.2/85.4
C2344	4030019990	S.CER C1005 JB 1C 104K-T	T	106.2/84.4
C2351	4030019990	S.CER C1005 JB 1C 104K-T	T	113.0/84.8
C2352	4030019990	S.CER C1005 JB 1C 104K-T	T	113.0/68.3
C2353	4030019990	S.CER C1005 JB 1C 104K-T	T	115.3/87.4
C2354	4030019990	S.CER C1005 JB 1C 104K-T	T	115.3/86.4
C2361	4030019990	S.CER C1005 JB 1C 104K-T	T	122.1/84.8
C2362	4030019990	S.CER C1005 JB 1C 104K-T	T	122.1/68.3
C2363	4030019990	S.CER C1005 JB 1C 104K-T	T	124.3/87.4
C2364	4030019990	S.CER C1005 JB 1C 104K-T	T	124.3/86.4
C2371	4030019990	S.CER C1005 JB 1C 104K-T	T	131.2/84.8
C2372	4030019990	S.CER C1005 JB 1C 104K-T	T	131.1/68.3
C2373	4030019990	S.CER C1005 JB 1C 104K-T	T	133.5/87.4
C2374	4030019990	S.CER C1005 JB 1C 104K-T	T	133.5/86.4
C2381	4030019990	S.CER C1005 JB 1C 104K-T	T	140.2/86.8
C2382	4030019990	S.CER C1005 JB 1C 104K-T	T	140.3/70.3
C2383	4030019990	S.CER C1005 JB 1C 104K-T	T	142.5/89.4
C2384	4030019990	S.CER C1005 JB 1C 104K-T	T	142.5/88.4
C2391	4030019990	S.CER C1005 JB 1C 104K-T	T	149.1/86.8
C2392	4030019990	S.CER C1005 JB 1C 104K-T	T	151.6/70.3
C2393	4030019990	S.CER C1005 JB 1C 104K-T	T	151.5/89.4
C2394	4030019990	S.CER C1005 JB 1C 104K-T	T	151.5/88.4
C2411	4030019990	S.CER C1005 JB 1C 104K-T	T	63.1/11.3
C2412	4030019990	S.CER C1005 JB 1C 104K-T	T	58.7/27.7
C2413	4030019990	S.CER C1005 JB 1C 104K-T	T	60.7/9.3
C2414	4030019990	S.CER C1005 JB 1C 104K-T	T	60.7/10.3
C2421	4030019990	S.CER C1005 JB 1C 104K-T	T	72.1/11.3
C2422	4030019990	S.CER C1005 JB 1C 104K-T	T	72.4/27.8
C2423	4030019990	S.CER C1005 JB 1C 104K-T	T	69.8/9.3
C2424	4030019990	S.CER C1005 JB 1C 104K-T	T	69.8/10.3
C2431	4030019990	S.CER C1005 JB 1C 104K-T	T	81.1/11.3
C2432	4030019990	S.CER C1005 JB 1C 104K-T	T	81.4/27.8
C2433	4030019990	S.CER C1005 JB 1C 104K-T	T	78.8/9.3
C2434	4030019990	S.CER C1005 JB 1C 104K-T	T	78.8/10.3
C2441	4030019990	S.CER C1005 JB 1C 104K-T	T	90.2/11.3
C2442	4030019990	S.CER C1005 JB 1C 104K-T	T	90.5/27.8
C2443	4030019990	S.CER C1005 JB 1C 104K-T	T	87.9/9.3
C2444	4030019990	S.CER C1005 JB 1C 104K-T	T	87.9/10.3
C2451	4030019990	S.CER C1005 JB 1C 104K-T	T	99.3/11.3
C2452	4030019990	S.CER C1005 JB 1C 104K-T	T	99.6/27.8
C2453	4030019990	S.CER C1005 JB 1C 104K-T	T	97.0/9.3
C2454	4030019990	S.CER C1005 JB 1C 104K-T	T	97.0/10.3
C2461	4030019990	S.CER C1005 JB 1C 104K-T	T	108.4/11.3
C2462	4030019990	S.CER C1005 JB 1C 104K-T	T	108.7/27.8
C2463	4030019990	S.CER C1005 JB 1C 104K-T	T	106.1/9.3
C2464	4030019990	S.CER C1005 JB 1C 104K-T	T	106.1/10.3
C2471	4030019990	S.CER C1005 JB 1C 104K-T	T	117.4/11.3
C2472	4030019990	S.CER C1005 JB 1C 104K-T	T	117.8/27.8
C2473	4030019990	S.CER C1005 JB 1C 104K-T	T	115.2/9.3
C2474	4030019990	S.CER C1005 JB 1C 104K-T	T	115.2/10.3
C2481	4030019990	S.CER C1005 JB 1C 104K-T	T	126.5/11.3
C2482	4030019990	S.CER C1005 JB 1C 104K-T	T	126.9/27.8
C2483	4030019990	S.CER C1005 JB 1C 104K-T	T	124.2/9.3
C2484	4030019990	S.CER C1005 JB 1C 104K-T	T	124.3/10.3
C2491	4030019990	S.CER C1005 JB 1C 104K-T	T	135.6/11.3
C2492	4030019990	S.CER C1005 JB 1C 104K-T	T	135.6/27.8
C2493	4030019990	S.CER C1005 JB 1C 104K-T	T	133.4/9.3
C2494	4030019990	S.CER C1005 JB 1C 104K-T	T	133.4/10.3
C2511	4030019990	S.CER C1005 JB 1C 104K-T	T	67.4/82.8
C2512	4030019990	S.CER C1005 JB 1C 104K-T	T	67.6/66.3
C2513	4030019990	S.CER C1005 JB 1C 104K-T	T	69.8/84.7
C2514	4030019990	S.CER C1005 JB 1C 104K-T	T	69.8/83.7

[TUNER UNIT]

REF NO.	PART NO.	DESCRIPTION	M.	H/V LOCATION
C2521	4030019990	S.CER C1005 JB 1C 104K-T	T	158.2/86.8
C2522	4030019990	S.CER C1005 JB 1C 104K-T	T	156.5/70.3
C2523	4030019990	S.CER C1005 JB 1C 104K-T	T	160.7/87.7
C2524	4030019990	S.CER C1005 JB 1C 104K-T	T	160.7/88.7
C2551	4030019990	S.CER C1005 JB 1C 104K-T	T	63.2/43.4
C2552	4030019990	S.CER C1005 JB 1C 104K-T	T	56.6/28.4
C2553	4030019990	S.CER C1005 JB 1C 104K-T	T	58.7/25.8
C2554	4030019990	S.CER C1005 JB 1C 104K-T	T	57.8/25.8
C2561	4030019990	S.CER C1005 JB 1C 104K-T	T	144.7/11.3
C2562	4030019990	S.CER C1005 JB 1C 104K-T	T	145.0/27.8
C2563	4030019990	S.CER C1005 JB 1C 104K-T	T	142.4/9.3
C2564	4030019990	S.CER C1005 JB 1C 104K-T	T	142.4/10.3
C2581	4030019990	S.CER C1005 JB 1C 104K-T	T	153.8/7.3
C2582	4030019990	S.CER C1005 JB 1C 104K-T	T	154.1/23.8
C2583	4030019990	S.CER C1005 JB 1C 104K-T	T	151.5/5.3
C2584	4030019990	S.CER C1005 JB 1C 104K-T	T	151.5/6.3
C2811	4030019990	S.CER C1005 JB 1C 104K-T	T	18.5/23.6
C2821	4030019990	S.CER C1005 JB 1C 104K-T	T	9.5/22.9
C2831	4030019990	S.CER C1005 JB 1C 104K-T	T	27.5/23.6
C2841	4030019990	S.CER C1005 JB 1C 104K-T	T	36.5/23.6
RL1011	6330002060	REL EC2-9TNU		
RL1021	6330002060	REL EC2-9TNU		
RL2011	6330002060	REL EC2-9TNU		
RL2021	6330002060	REL EC2-9TNU		
RL2031	6330002060	REL EC2-9TNU		
RL2041	6330002060	REL EC2-9TNU		
RL2051	6330002060	REL EC2-9TNU		
RL2061	6330002060	REL EC2-9TNU		
RL2071	6330002060	REL EC2-9TNU		
RL2081	6330002060	REL EC2-9TNU		
RL2091	6330002060	REL EC2-9TNU		
RL2111	6330002060	REL EC2-9TNU		
RL2121	6330002060	REL EC2-9TNU		
RL2131	6330002060	REL EC2-9TNU		
RL2141	6330002060	REL EC2-9TNU		
RL2151	6330002060	REL EC2-9TNU		
RL2161	6330002060	REL EC2-9TNU		
RL2171	6330002060	REL EC2-9TNU		
RL2181	6330002060	REL EC2-9TNU		
RL2191	6330002060	REL EC2-9TNU		
RL2211	6330002060	REL EC2-9TNU		
RL2221	6330002060	REL EC2-9TNU		
RL2251	6330002060	REL EC2-9TNU		
RL2261	6330002060	REL EC2-9TNU		
RL2281	6330002060	REL EC2-9TNU		
J1001	6510028210	CON SJ050010 (TMP-J01X-V6)		
J1801	6510021722	S.CON 30FLT-SM2-TB (LF) (SN) (M)	T	24.2/7.4
J2001	6510028210	CON SJ050010 (TMP-J01X-V6)		
J2002	6510028210	CON SJ050010 (TMP-J01X-V6)		
EP1801	6910019100	S.BEA MPZ1608S101AT	T	31.5/3.8
EP1802	6910019900	S.BEA MPZ1608S601AT	T	29.3/3.8

Eqv.= This component is equivalent to the REF No. component listed above, and may be substituted on parts orders and repairs.

M.=Mounted side (T: Mounted on the Top side, B: Mounted on the Bottom side)
H/V LOCATION=See the BOARD LAYOUTS for details.

[FRONT UNIT]

[DISPLAY UNIT]

REF NO.	PART NO.	DESCRIPTION	M.	H/V LOCATION
DS1	5030004050	LCD RFE430H-AZH-DNS-000		
W1	8910000070	FFC FFC-1008 (P0.5N6L50)		
W2	8910000070	FFC FFC-1008 (P0.5N6L50)		
W3	8910000070	FFC FFC-1008 (P0.5N6L50)		
W4	8900018000	CAB OPC-1344A (P1N10L70)		
EP1	0880001360	UNI EX-2500 #02 SENSOR		

REF NO.	PART NO.	DESCRIPTION	M.	H/V LOCATION
IC101	1190003620	S.IC TPS61161ADRVR	B	60.8/51.7
IC152	11300017190	S.IC UC6528XBNQ4GRC	B	100.0/48.7
IC501	1140017811	S.IC R5F104LCAFB	B	120.0/58.7
Q1	1590004690	S.TRA LDTC143ZET1G	B	6.5/68.0
Q2	1590004690	S.TRA LDTC143ZET1G	B	165.4/30.0
Q3	1590004690	S.TRA LDTC143ZET1G	B	165.4/27.9
Q461	1510001200	S.TRA L2SA1576ART1G	B	50.5/47.2
Q462	1520001010	S.TRA 2SB1132G-R-AB3-R	B	45.4/51.4
Q481	1590004690	S.TRA LDTC143ZET1G	B	20.8/65.5
Q491	1530004140	S.TRA L2SC4081RT1G	B	38.3/49.6
Q492	1530004210	S.TRA DSC7004S0L	B	30.2/52.9
Q493	1590004310	S.TRA LDTA114EET1G	B	35.9/50.4
D101	1750002240	S.DIO DB2141300L	B	68.2/50.1
D401	1750001820	S.DIO LRB706F-40T1G	B	23.1/51.3
D471	1750002230	S.DIO LRB751S-40T1G	B	33.5/50.3
D472	1750001820	S.DIO LRB706F-40T1G	B	35.9/46.7
D491	1750001810	S.DIO L1SS400T1G	B	35.1/53.7
L101	6200014850	S.COI LQH44PN220MP0L	T	23.1/164.1
L102	6200015990	S.COI LQH32CN470K23L	B	60.4/47.5
R1	7030004980	S.RES ERJ2GEJ 101 X (100)	B	6.5/70.2
R2	7030004980	S.RES ERJ2GEJ 101 X (100)	B	167.5/30.0
R3	7030007280	S.RES ERJ2GEJ 331 X (330)	B	167.5/27.9
R11	7030005290	S.RES ERJ2GEJ 682 X (6.8 k)	B	35.4/42.2
R12	7030007290	S.RES ERJ2GEJ 222 X (2.2 k)	B	41.2/41.0
R13	7030005040	S.RES ERJ2GEJ 472 X (4.7 k)	B	39.1/41.0
R14	7030007340	S.RES ERJ2GEJ 153 X (15 k)	B	39.1/40.1
R21	7030005290	S.RES ERJ2GEJ 682 X (6.8 k)	B	148.0/42.7
R22	7030007290	S.RES ERJ2GEJ 222 X (2.2 k)	B	150.4/42.7
R23	7030005040	S.RES ERJ2GEJ 472 X (4.7 k)	B	152.8/42.7
R24	7030007340	S.RES ERJ2GEJ 153 X (15 k)	B	155.2/42.7
R31	7030005290	S.RES ERJ2GEJ 682 X (6.8 k)	B	193.0/62.2
R32	7030007290	S.RES ERJ2GEJ 222 X (2.2 k)	B	195.5/62.2
R33	7030005040	S.RES ERJ2GEJ 472 X (4.7 k)	B	198.0/62.2
R34	7030007340	S.RES ERJ2GEJ 153 X (15 k)	B	200.5/62.2
R41	7030005290	S.RES ERJ2GEJ 682 X (6.8 k)	B	193.0/63.2
R42	7030007290	S.RES ERJ2GEJ 222 X (2.2 k)	B	195.5/63.2
R43	7030005040	S.RES ERJ2GEJ 472 X (4.7 k)	B	198.0/63.2
R44	7030007340	S.RES ERJ2GEJ 153 X (15 k)	B	200.5/63.2
R50	7030005120	S.RES ERJ2GEJ 102 X (1 k)	B	58.5/66.6
R51	7030005120	S.RES ERJ2GEJ 102 X (1 k)	B	58.5/67.5
R52	7030005120	S.RES ERJ2GEJ 102 X (1 k)	B	58.5/62.2
R53	7030005120	S.RES ERJ2GEJ 102 X (1 k)	B	58.5/65.2
R54	7030005120	S.RES ERJ2GEJ 102 X (1 k)	B	58.5/64.2
R61	7030005120	S.RES ERJ2GEJ 102 X (1 k)	B	61.5/17.2
R62	7030005120	S.RES ERJ2GEJ 102 X (1 k)	B	61.5/16.2
R71	7030005120	S.RES ERJ2GEJ 102 X (1 k)	B	169.0/50.4
R72	7030005120	S.RES ERJ2GEJ 102 X (1 k)	B	173.8/44.3
R73	7030005120	S.RES ERJ2GEJ 102 X (1 k)	B	173.9/45.3
R101	7030011010	S.RES ERJ2GEJ 8R2 X (8.2)	B	58.1/50.9
R102	7030005300	S.RES ERJ2GEJ 150 X (15)	B	58.1/50.0
R103	7030005240	S.RES ERJ2GEJ 473 X (47 k)	B	88.7/50.7
R141	7030005530	S.RES ERJ2GEJ 100 X (10)	B	91.9/47.8
R142	7030005530	S.RES ERJ2GEJ 100 X (10)	B	94.0/50.3
R143	7030005530	S.RES ERJ2GEJ 100 X (10)	B	93.0/47.8
R144	7030005530	S.RES ERJ2GEJ 100 X (10)	B	94.8/49.0
R201	7030005080	S.RES ERJ2GEJ 823 X (82 k)	B	168.0/15.8
R202	7030005240	S.RES ERJ2GEJ 473 X (47 k)	B	170.5/15.8
R203	7030005080	S.RES ERJ2GEJ 823 X (82 k)	B	168.0/17.8
R204	7030005240	S.RES ERJ2GEJ 473 X (47 k)	B	170.5/17.8
R301	7030005050	S.RES ERJ2GEJ 103 X (10 k)	B	113.5/74.0
R302	7030005120	S.RES ERJ2GEJ 102 X (1 k)	B	115.5/74.0
R303	7030005120	S.RES ERJ2GEJ 102 X (1 k)	B	114.5/74.0
R401	7030005220	S.RES ERJ2GEJ 223 X (22 k)	B	19.6/53.4
R402	7030005090	S.RES ERJ2GEJ 104 X (100 k)	B	20.6/53.4
R461	7030005040	S.RES ERJ2GEJ 472 X (4.7 k)	B	49.2/51.8
R462	7030009320	S.RES ERJ2GEJ 4R7 X (4.7)	B	49.2/49.0
R463	7030005040	S.RES ERJ2GEJ 472 X (4.7 k)	B	48.5/47.0
R464	7030005090	S.RES ERJ2GEJ 104 X (100 k)	B	47.5/47.0
R471	7030007290	S.RES ERJ2GEJ 222 X (2.2 k)	B	34.0/48.7
R472	7030005240	S.RES ERJ2GEJ 473 X (47 k)	B	33.9/47.7
R481	7030005050	S.RES ERJ2GEJ 103 X (10 k)	B	20.8/67.1
R491	7030005040	S.RES ERJ2GEJ 472 X (4.7 k)	B	37.1/53.5
R492	7030005060	S.RES ERJ2GEJ 333 X (33 k)	B	37.1/52.6
R493	7030007340	S.RES ERJ2GEJ 153 X (15 k)	B	38.0/51.6
R494	7030005240	S.RES ERJ2GEJ 473 X (47 k)	B	35.9/48.7
R495	7030005050	S.RES ERJ2GEJ 103 X (10 k)	B	29.5/49.6
R496	7030007270	S.RES ERJ2GEJ 151 X (150)	B	35.5/52.1
R501	7410001220	S.ARR EXB28V103JX	B	109.5/58.2
R502	7030005240	S.RES ERJ2GEJ 473 X (47 k)	B	126.0/64.7
R503	7410001220	S.ARR EXB28V103JX	B	128.5/51.2
R504	7410001220	S.ARR EXB28V103JX	B	109.5/51.2
R601	7030007250	S.RES ERJ2GEJ 220 X (22)	B	79.1/55.0
R602	7030007250	S.RES ERJ2GEJ 220 X (22)	B	80.3/55.0
R603	7030007250	S.RES ERJ2GEJ 220 X (22)	B	81.5/55.0
R604	7030007250	S.RES ERJ2GEJ 220 X (22)	B	82.7/55.0
R605	7030007250	S.RES ERJ2GEJ 220 X (22)	B	83.9/55.0
R606	7030007250	S.RES ERJ2GEJ 220 X (22)	B	85.1/55.0
R607	7030007250	S.RES ERJ2GEJ 220 X (22)	B	86.3/55.0
R608	7030007250	S.RES ERJ2GEJ 220 X (22)	B	87.5/55.0
R609	7030007250	S.RES ERJ2GEJ 220 X (22)	B	88.7/55.0
R610	7030007250	S.RES ERJ2GEJ 220 X (22)	B	89.9/55.0
R611	7030004980	S.RES ERJ2GEJ 101 X (100)	B	92.1/55.0
R612	7030007250	S.RES ERJ2GEJ 220 X (22)	B	93.3/55.0
R613	7030007250	S.RES ERJ2GEJ 220 X (22)	B	78.5/62.5
R614	7030007250	S.RES ERJ2GEJ 220 X (22)	B	79.7/62.5
R615	7030007250	S.RES ERJ2GEJ 220 X (22)	B	80.9/62.5

Eqv.= This component is equivalent to the REF No. component listed above, and may be substituted on parts orders and repairs.

M.=Mounted side (T: Mounted on the Top side, B: Mounted on the Bottom side)
H/V LOCATION=See the BOARD LAYOUTS for details.

[DISPLAY UNIT]

[PBT UNIT]

REF NO.	PART NO.	DESCRIPTION	M.	H/V LOCATION
R616	7030007250	S.RES ERJ2GEJ 220 X (22)	B	82.1/62.5
R617	7030007250	S.RES ERJ2GEJ 220 X (22)	B	83.3/62.5
R618	7030007250	S.RES ERJ2GEJ 220 X (22)	B	84.5/62.5
R619	7030007250	S.RES ERJ2GEJ 220 X (22)	B	85.7/62.5
R620	7030007250	S.RES ERJ2GEJ 220 X (22)	B	86.9/62.5
R621	7030007250	S.RES ERJ2GEJ 220 X (22)	B	88.1/62.5
R622	7030007250	S.RES ERJ2GEJ 220 X (22)	B	89.3/62.5
R623	7030007250	S.RES ERJ2GEJ 220 X (22)	B	90.5/62.5
R624	7030007250	S.RES ERJ2GEJ 220 X (22)	B	92.7/62.5
R625	7030004980	S.RES ERJ2GEJ 101 X (100)	B	93.9/62.5
C50	4030016790	S.CER C1005 JB 1E 103K-T	B	61.0/66.6
C51	4030016790	S.CER C1005 JB 1E 103K-T	B	61.0/67.5
C52	4030016790	S.CER C1005 JB 1E 103K-T	B	61.0/62.2
C53	4030016790	S.CER C1005 JB 1E 103K-T	B	61.0/65.2
C54	4030016790	S.CER C1005 JB 1E 103K-T	B	61.0/64.2
C61	4030019990	S.CER C1005 JB 1C 104K-T	B	64.0/17.2
C62	4030019990	S.CER C1005 JB 1C 104K-T	B	64.0/16.2
C71	4030016790	S.CER C1005 JB 1E 103K-T	B	167.2/50.4
C72	4030016790	S.CER C1005 JB 1E 103K-T	B	175.6/44.3
C73	4030016790	S.CER C1005 JB 1E 103K-T	B	175.6/45.3
C101	4030021530	S.CER C1608 JB 1E 224K-T	B	58.1/52.7
C102	4030021760	S.CER GRM31MB31H105KA87L	B	66.4/53.0
C103	4030020270	S.CER GRM188B11A105KA61D	B	61.1/49.7
C104	4030020270	S.CER GRM188B11A105KA61D	B	57.3/48.1
C141	4030017460	S.CER C1005 JB 1H 102K-T	B	95.5/50.3
C142	4030017460	S.CER C1005 JB 1H 102K-T	B	96.5/50.7
C143	4030017460	S.CER C1005 JB 1H 102K-T	B	95.1/47.8
C144	4030017460	S.CER C1005 JB 1H 102K-T	B	96.1/48.3
C151	4030019990	S.CER C1005 JB 1C 104K-T	B	96.9/46.6
C152	4030019990	S.CER C1005 JB 1C 104K-T	B	103.5/50.2
C201	4030019990	S.CER C1005 JB 1C 104K-T	B	168.0/13.8
C403	4030019620	S.CER GRM188B31C225KE14D	B	25.0/51.0
C452	4030016790	S.CER C1005 JB 1E 103K-T	B	20.8/62.7
C453	4030016790	S.CER C1005 JB 1E 103K-T	B	20.8/61.4
C461	4030017460	S.CER C1005 JB 1H 102K-T	B	48.8/50.4
C471	4030016790	S.CER C1005 JB 1E 103K-T	B	37.7/47.3
C491	4030016790	S.CER C1005 JB 1E 103K-T	B	28.5/49.6
C501	4030020270	S.CER GRM188B11A105KA61D	B	111.5/60.2
C502	4030019990	S.CER C1005 JB 1C 104K-T	B	111.5/61.8
C503	4030019990	S.CER C1005 JB 1C 104K-T	B	111.5/62.8
C611	4030016790	S.CER C1005 JB 1E 103K-T	B	92.1/52.5
C625	4030016790	S.CER C1005 JB 1E 103K-T	B	93.9/65.0
C626	4030019990	S.CER C1005 JB 1C 104K-T	B	74.8/65.0
C627	4030019990	S.CER C1005 JB 1C 104K-T	B	72.0/55.8
C628	4030019990	S.CER C1005 JB 1C 104K-T	B	76.2/65.0
J51	6510022692	S.CON 06FLT-SM2-TB (LF) (SN) (M)	B	55.0/64.8
J61	6510022692	S.CON 06FLT-SM2-TB (LF) (SN) (M)	B	57.5/16.6
J71	6510022692	S.CON 06FLT-SM2-TB (LF) (SN) (M)	B	170.2/47.1
J101	6510031070	S.CON AYF534035	B	83.4/44.6
J201	6510018971	S.CON B4B-PH-SM4-TB (LF) (SN)	B	177.1/16.8
J301	6510022692	S.CON 06FLT-SM2-TB (LF) (SN) (M)	B	110.0/73.7
J401	6510018971	S.CON B4B-PH-SM4-TB (LF) (SN)	B	15.8/50.7
J421	6510018971	S.CON B4B-PH-SM4-TB (LF) (SN)	B	39.5/30.4
J451	6510019971	S.CON 52808-1071	B	7.8/60.7
J601	6510022472	S.CON 40FLT-SM2-TB (LF) (SN) (M)	B	84.0/58.8
DS1	5040003500	S.LED HT-191 UYG-K828	T	8.8/76.3
DS2	5040003870	S.LED SSC-YGHR411-H	T	167.8/28.8
S1	2230001480	S.SWI LS37J2-T	T	9.0/72.0
S2	2230001480	S.SWI LS37J2-T	T	9.0/61.7
S3	2230001480	S.SWI LS37J2-T	T	9.0/51.7
S4	2230001480	S.SWI LS37J2-T	T	9.0/45.7
S5	2230001480	S.SWI LS37J2-T	T	28.3/45.8
S6	2230001480	S.SWI LS37J2-T	T	42.7/45.8
S7	2230001480	S.SWI LS37J2-T	T	28.3/41.1
S8	2230001480	S.SWI LS37J2-T	T	42.7/41.1
S9	2230001480	S.SWI LS37J2-T	T	68.4/3.1
S10	2230001480	S.SWI LS37J2-T	T	87.9/3.1
S11	2230001480	S.SWI LS37J2-T	T	107.4/3.1
S12	2230001480	S.SWI LS37J2-T	T	126.9/3.1
S13	2230001480	S.SWI LS37J2-T	T	146.4/3.1
S14	2230001480	S.SWI LS37J2-T	T	167.1/47.8
S15	2230001480	S.SWI LS37J2-T	T	165.8/14.8
S16	2230001480	S.SWI LS37J2-T	T	169.0/3.1
S17	2230001480	S.SWI LS37J2-T	T	191.1/74.1
S18	2230001480	S.SWI LS37J2-T	T	206.2/74.1
S19	2230001480	S.SWI LS37J2-T	T	221.3/74.1
S20	2230001480	S.SWI LS37J2-T	T	191.1/65.8
S21	2230001480	S.SWI LS37J2-T	T	206.2/65.8
S22	2230001480	S.SWI LS37J2-T	T	221.3/65.8
S23	2230001480	S.SWI LS37J2-T	T	191.1/59.5
S24	2230001480	S.SWI LS37J2-T	T	206.2/59.5
S25	2230001480	S.SWI LS37J2-T	T	222.4/59.5
EP401	6910018930	S.BEA MPZ2012S601A	B	19.9/50.2
EP402	6910018930	S.BEA MPZ2012S601A	B	20.8/47.7
EP451	6910018930	S.BEA MPZ2012S601A	B	16.8/59.7
EP452	6910019900	S.BEA MPZ1608S601AT	B	17.6/62.7
EP453	6910017350	S.BEA MMZ1608S601A-T	B	17.6/61.4
EP454	6910016330	S.BEA MMZ1005S 601CT-S	B	17.6/63.9
EP455	6910018930	S.BEA MPZ2012S601A	B	16.8/57.9
EP456	6910016330	S.BEA MMZ1005S 601CT-S	B	6.0/65.2
EP457	6910016330	S.BEA MMZ1005S 601CT-S	B	5.0/65.2
EP601	6910019900	S.BEA MPZ1608S601AT	B	73.7/63.0
EP602	6910019900	S.BEA MPZ1608S601AT	B	75.4/55.4
EP603	6910019900	S.BEA MPZ1608S601AT	B	77.3/63.0

REF NO.	PART NO.	DESCRIPTION	M.	H/V LOCATION
J1	6510029480	S.CON 06FH-SM1-TB (LF) (SN)	T	19.8/8.3
S1	2250000960	ENC TP90D96AE20-30.5F-3765		

Eqv.= This component is equivalent to the REF No. component listed above, and may be substituted on parts orders and repairs.

M.=Mounted side (T: Mounted on the Top side, B: Mounted on the Bottom side)
H/V LOCATION=See the BOARD LAYOUTS for details.

[VR UNIT]

REF NO.	PART NO.	DESCRIPTION	M.	H/V LOCATION
R1	7210002970	VAR RV-314		
J1	6510029480	S.CON 06FH-SM1-TB (LF) (SN)	T	19.8/9.3

[RIT UNIT]

REF NO.	PART NO.	DESCRIPTION	M.	H/V LOCATION
J1	6510029480	S.CON 06FH-SM1-TB (LF) (SN)	T	20.0/5.6
S1	2250001010	ENC TP90N00AE20-14.5F-3765A		

Eqv.= This component is equivalent to the REF No. component listed above, and may be substituted on parts orders and repairs.

M.=Mounted side (T: Mounted on the Top side, B: Mounted on the Bottom side)
H/V LOCATION=See the BOARD LAYOUTS for details.

[PHONE UNIT]

REF NO.	PART NO.	DESCRIPTION	M.	H/V LOCATION
W1	8600036921	EX2500 P01*J01MA-1		
R401	7030003440	S.RES ERJ3GEYJ 102 V (1 k)	T	18.5/8.4
R403	7030003320	S.RES ERJ3GEYJ 101 V (100)	T	13.1/12.9
R404	7030003320	S.RES ERJ3GEYJ 101 V (100)	T	15.9/12.9
C401	4030006900	S.CER C1608 JB 1H 103K-T ATEX	T	18.5/9.6
C404	4030006900	S.CER C1608 JB 1H 103K-T ATEX	T	10.4/12.9
J1	6450001630	CON HSJ1406-01-050		
EP401	6910018930	S.BEA MPZ2012S601A	T	18.0/13.3
EP402	6910018930	S.BEA MPZ2012S601A	T	15.6/11.3
EP403	6910018930	S.BEA MPZ2012S601A	T	10.2/11.3

[MIC UNIT]

REF NO.	PART NO.	DESCRIPTION	M.	H/V LOCATION
C1	4030006900	S.CER C1608 JB 1H 103K-T ATEX	T	10.3/17.4
C2	4030006900	S.CER C1608 JB 1H 103K-T ATEX	T	22.8/14.8
C3	4030006900	S.CER C1608 JB 1H 103K-T ATEX	T	8.1/15.3
C4	4030007130	S.CER C1608 CH 1H 101J-T ATEX	T	5.5/3.8
C5	4030006900	S.CER C1608 JB 1H 103K-T ATEX	T	23.6/11.7
C6	4030006900	S.CER C1608 JB 1H 103K-T ATEX	T	22.8/7.2
C7	4030006900	S.CER C1608 JB 1H 103K-T ATEX	T	7.4/9.2
C8	4030007090	S.CER C1608 CH 1H 470J-T	T	10.8/15.5
J1	6510000191	CON FM214-8SS(P)-1		
J2	6510019971	S.CON 52808-1071	T	4.0/11.2
EP2	6910012350	S.BEA MMZ1608Y 102BT	T	22.8/13.5
EP3	6910012350	S.BEA MMZ1608Y 102BT	T	23.6/9.1
EP4	6910012350	S.BEA MMZ1608Y 102BT	T	7.4/13.4
EP5	6910012350	S.BEA MMZ1608Y 102BT	T	21.3/16.1
EP7	6910018930	S.BEA MPZ2012S601A	T	7.6/6.2
EP9	6910015130	S.BEA MMZ1608D 301BT	T	10.1/2.5
EP10	6910015130	S.BEA MMZ1608D 301BT	T	10.1/3.7
EP11	6910012350	S.BEA MMZ1608Y 102BT	T	11.6/17.4
EP12	6910018930	S.BEA MPZ2012S601A	T	7.9/16.8

Eqv.= This component is equivalent to the REF No. component listed above, and may be substituted on parts orders and repairs.

M.=Mounted side (T: Mounted on the Top side, B: Mounted on the Bottom side)
H/V LOCATION=See the BOARD LAYOUTS for details.

[SD UNIT]

REF NO.	PART NO.	DESCRIPTION	M.	H/V LOCATION
R1	7030003360	S.RES ERJ3GEYJ 221 V (220)	T	35.1/11.5
R2	7030003250	S.RES ERJ3GEYJ 270 V (27)	T	35.1/13.9
R3	7030003250	S.RES ERJ3GEYJ 270 V (27)	T	35.1/15.1
R4	7030003250	S.RES ERJ3GEYJ 270 V (27)	T	35.1/18.7
R5	7030003250	S.RES ERJ3GEYJ 270 V (27)	T	35.1/19.9
R6	7030003250	S.RES ERJ3GEYJ 270 V (27)	T	35.1/17.5
R8	7030003250	S.RES ERJ3GEYJ 270 V (27)	T	35.1/12.7
R9	7030003360	S.RES ERJ3GEYJ 221 V (220)	T	35.1/10.3
C1	4030011600	S.CER C1608 JB 1E 104K-T	T	32.6/16.0
C2	4030019560	S.CER GRM21BB31C106KE15L	T	31.1/15.6
J1	6510028980	S.CON SCDABA0500	T	13.9/15.3
J2	6510031540	S.CON 12FHJ-SM1-TB (LF) (SN)	T	40.3/15.3
EP7	6910019900	S.BEA MPZ1608S601AT1	T	35.1/16.3

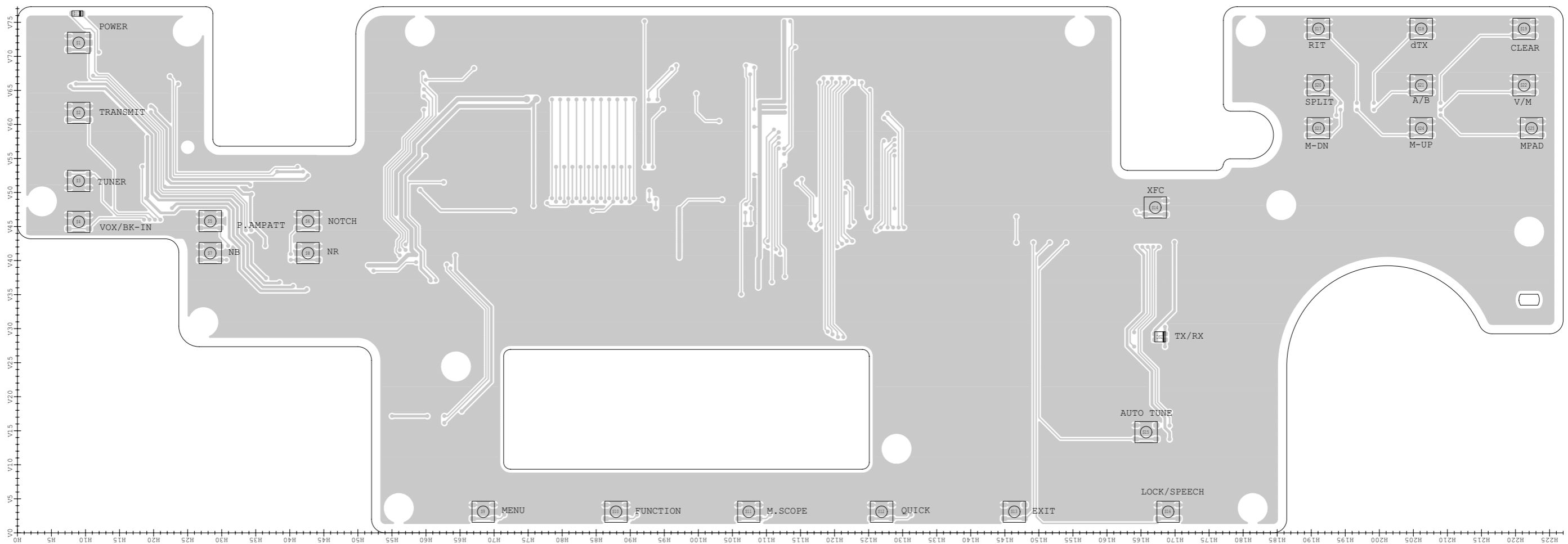
Eqv.= This component is equivalent to the REF No. component listed above, and may be substituted on parts orders and repairs.

M.=Mounted side (T: Mounted on the Top side, B: Mounted on the Bottom side)
H/V LOCATION=See the BOARD LAYOUTS for details.

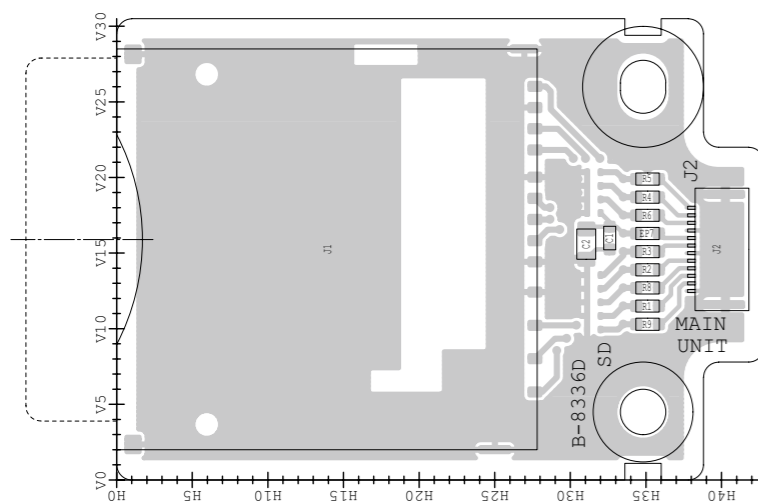
BOARD LAYOUTS

The actual configuration of the PC board can be seen by viewing the top and bottom BOARD LAYOUT pages together.

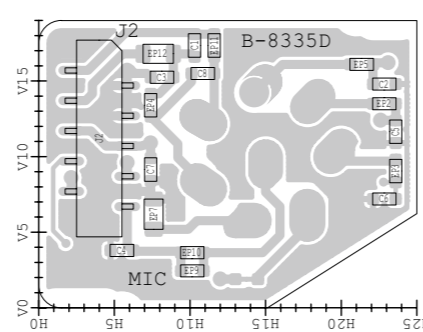
• DISPLAY UNIT B-8330D (Top view)



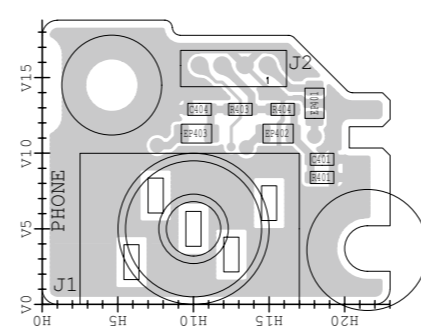
• SD UNIT B-8336D (Top view)



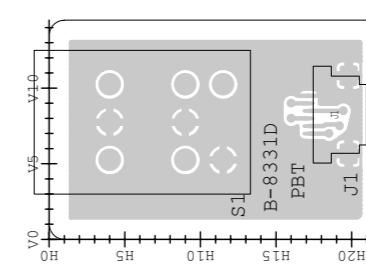
• MIC UNIT B-8335D (Top view)



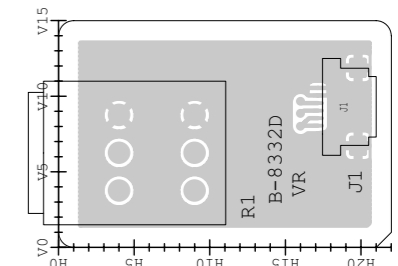
• PHONE UNIT B-8334C (Top view)



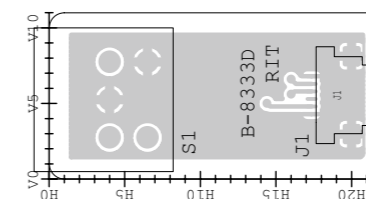
• PBT UNIT B-8331D (Top view)



• VR UNIT B-8332D (Top view)



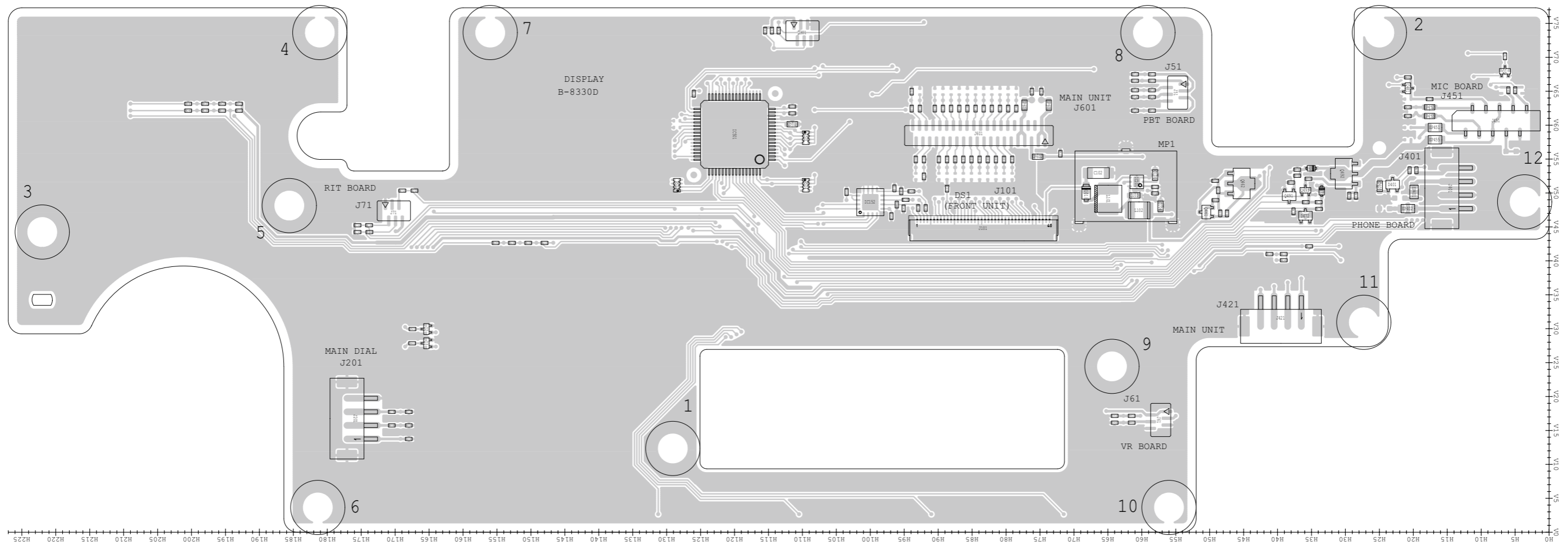
• RIT UNIT B-8333D (Top view)



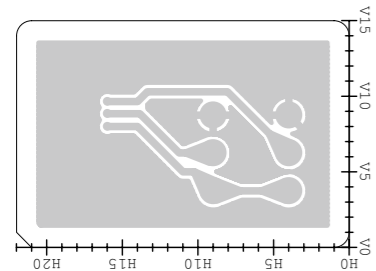
See the PARTS LIST H/V location on the PARTS LIST for location details.

The actual configuration of the PC board can be seen by viewing the top and bottom BOARD LAYOUT pages together.

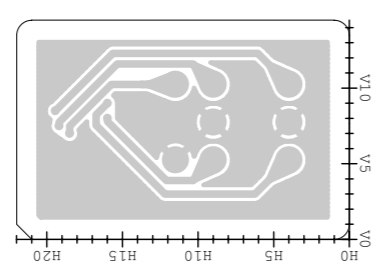
• DISPLAY UNIT B-8330D (Bottom view)



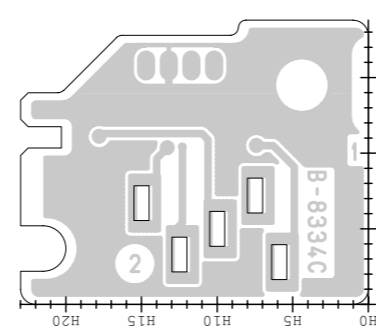
• VR UNIT B-8332D (Bottom view)



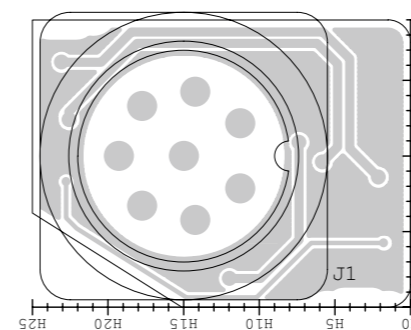
• PBT UNIT B-8331D (Bottom view)



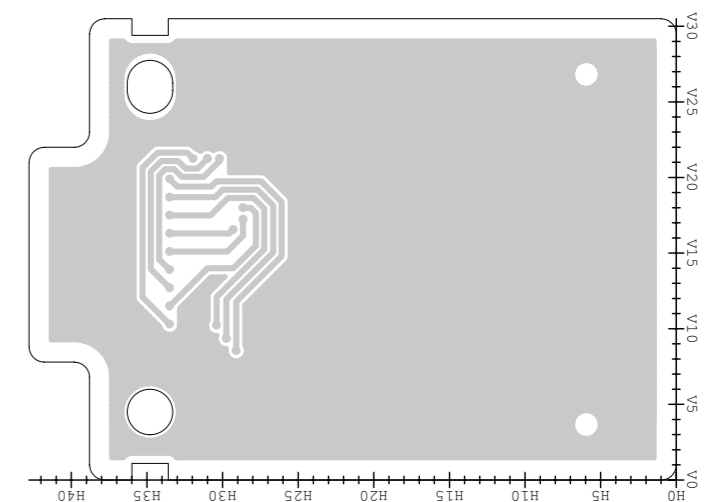
• PHONE UNIT B-8334C (Bottom view)



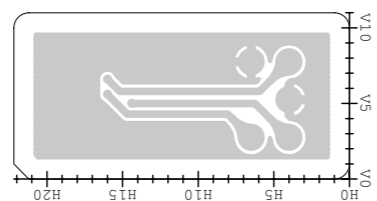
• MIC UNIT B-8335D (Bottom view)



• SD UNIT B-8336D (Bottom view)



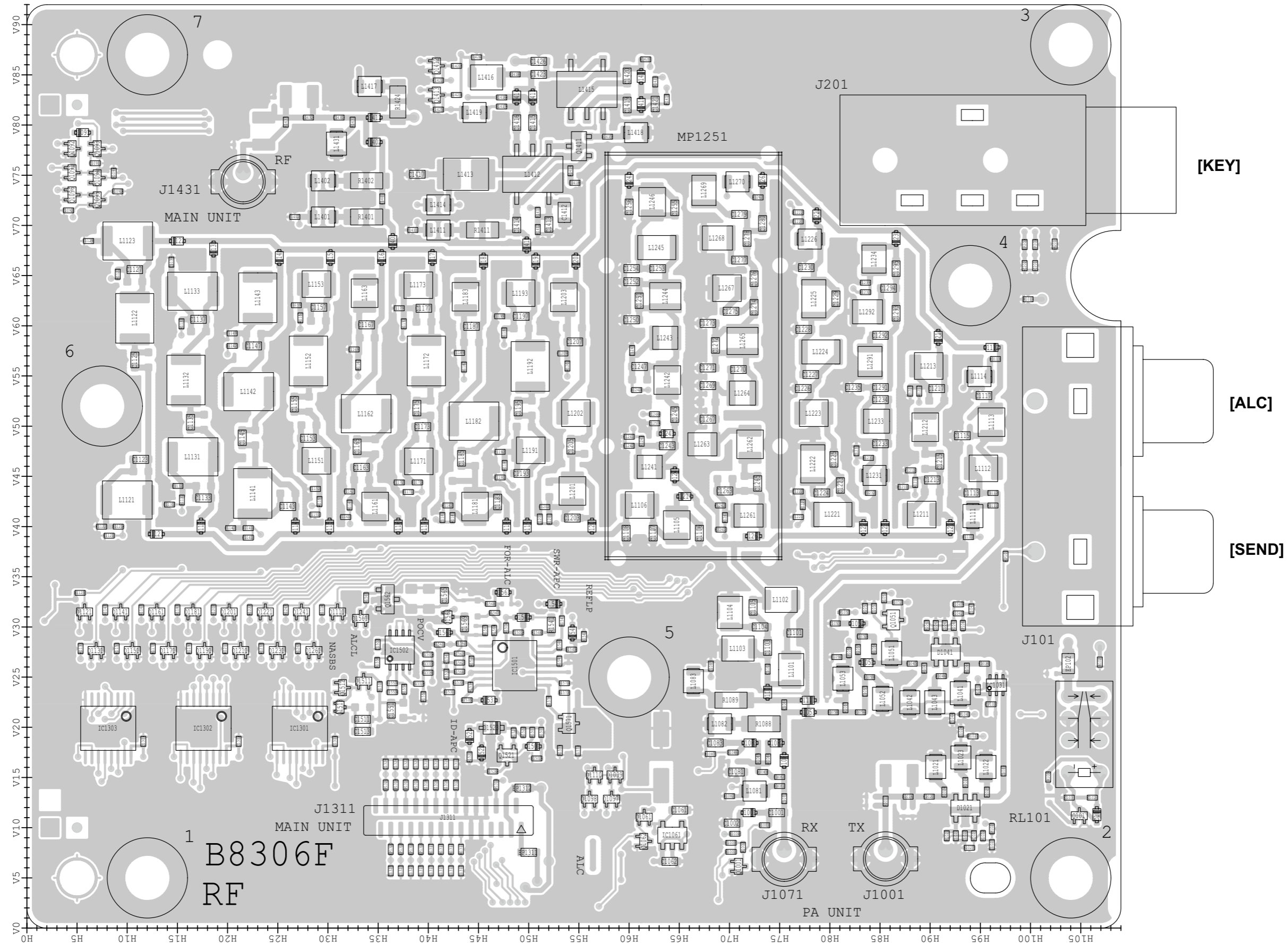
• RIT UNIT B-8333D (Bottom view)



See the PARTS LIST H/V location on the PARTS LIST for location details.

The actual configuration of the PC board can be seen by viewing the top and bottom BOARD LAYOUT pages together.

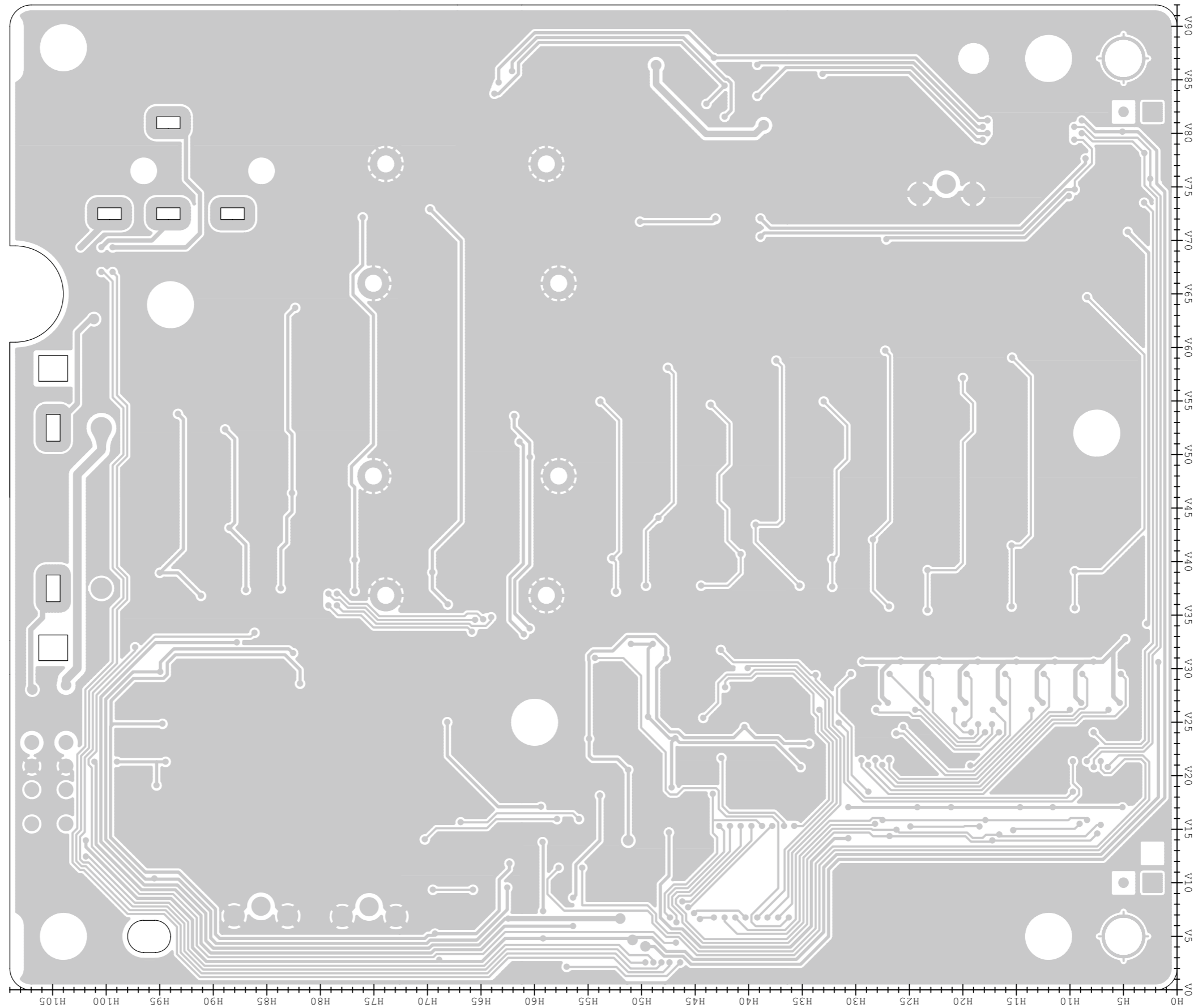
• RF UNIT B-8306F (Top view)



See the PARTS LIST H/V location on the PARTS LIST for location details.

The actual configuration of the PC board can be seen by viewing the top and bottom BOARD LAYOUT pages together.

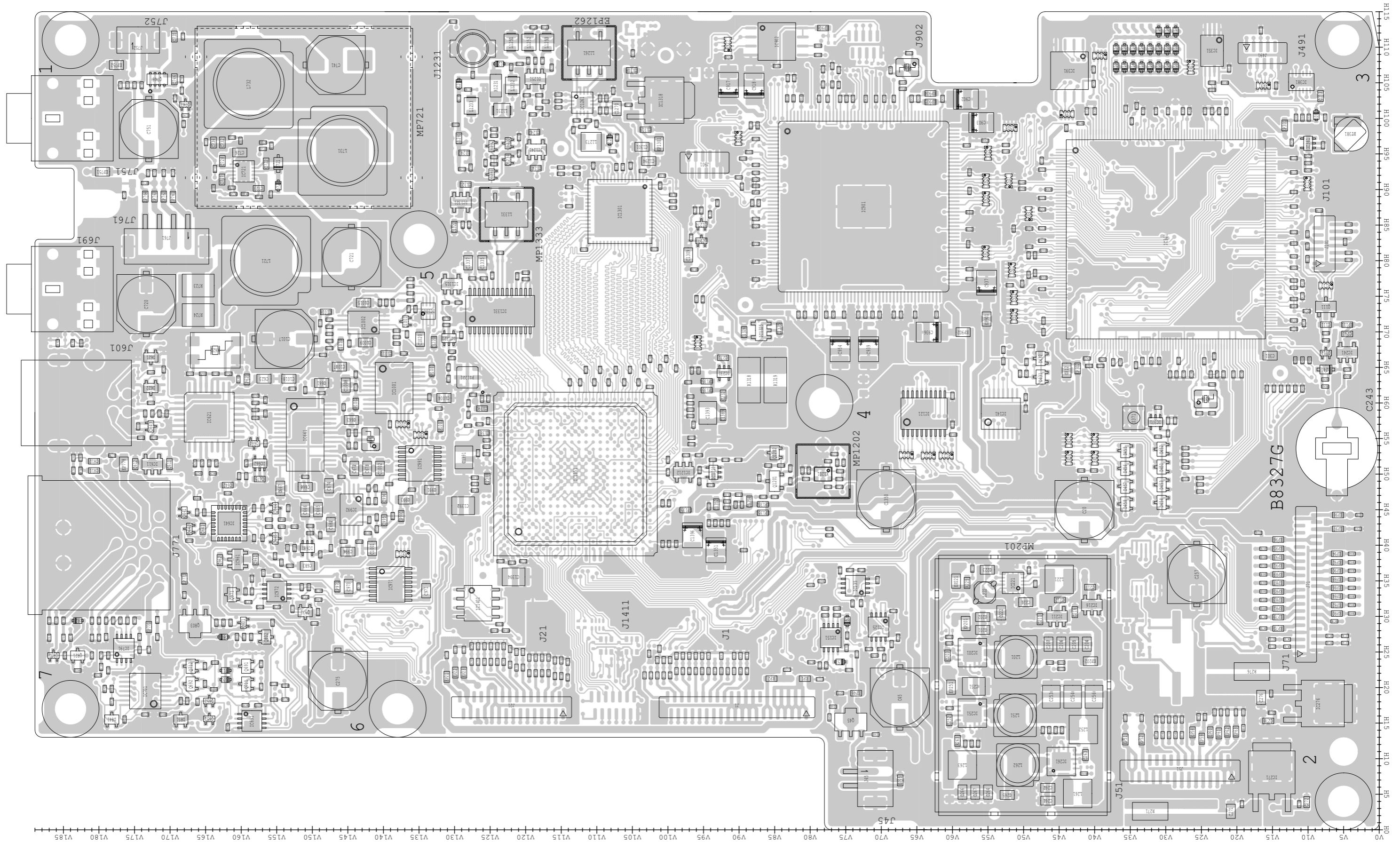
• RF UNIT B-8306F (Bottom view)



See the PARTS LIST H/V location on the PARTS LIST for location details.

The actual configuration of the PC board can be seen by viewing the top and bottom BOARD LAYOUT pages together.

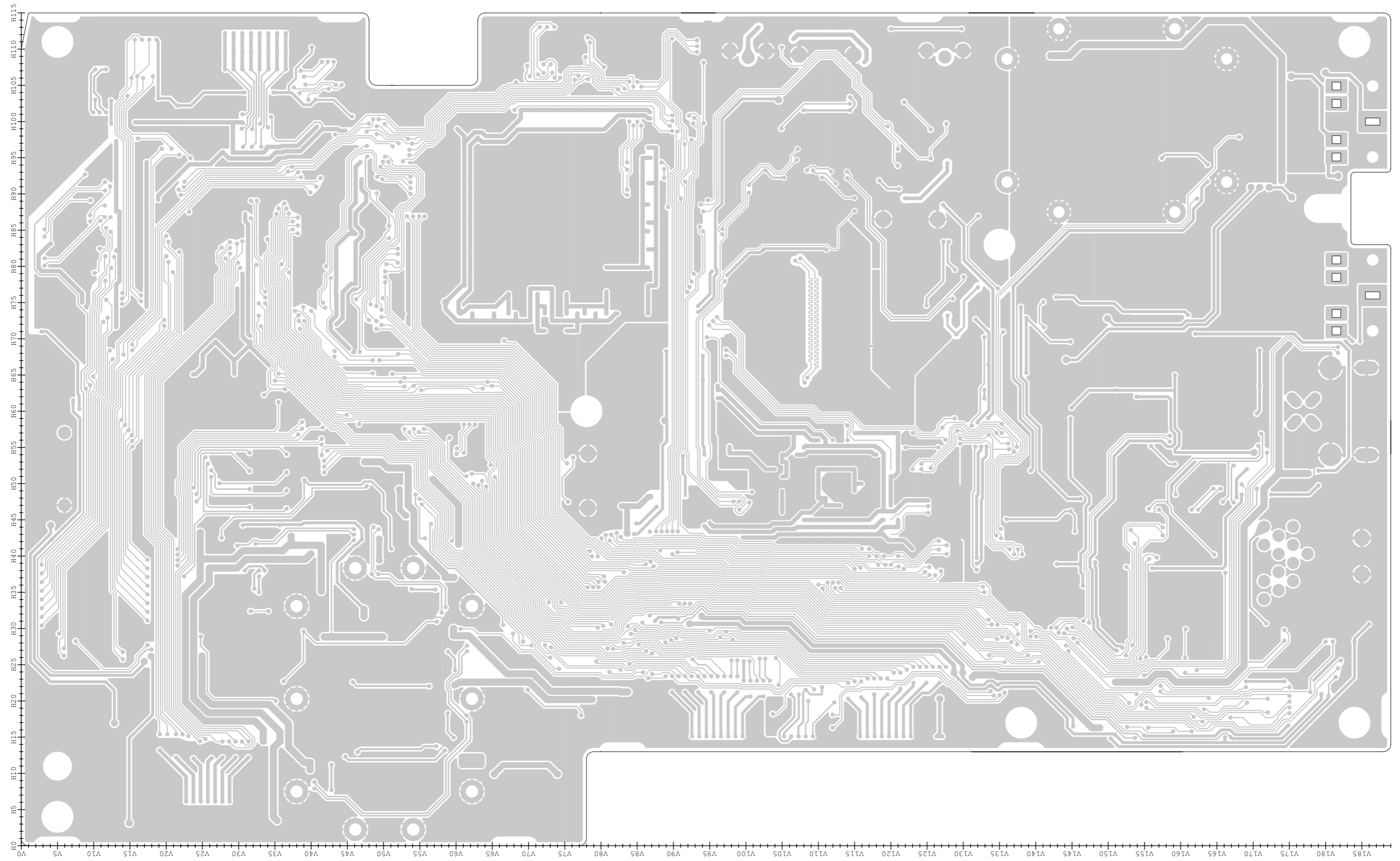
• MAIN UNIT B-8327G (Top view)



See the PARTS LIST H/V location on the PARTS LIST for location details.

The actual configuration of the PC board can be seen by viewing the top and bottom BOARD LAYOUT pages together.

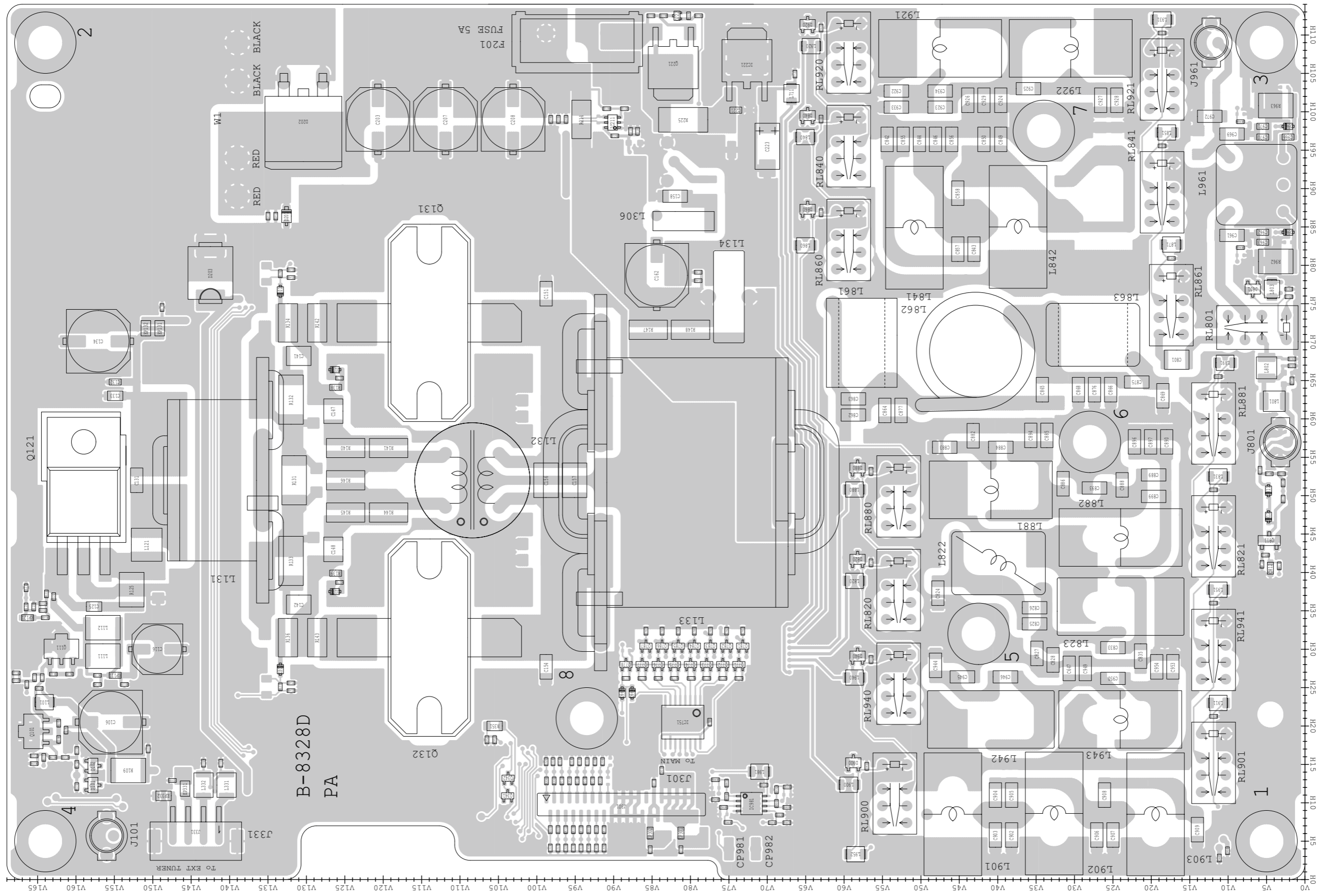
• MAIN UNIT B-8327G (Bottom view)



See the PARTS LIST H/V location on the PARTS LIST for location details.

The actual configuration of the PC board can be seen by viewing the top and bottom BOARD LAYOUT pages together.

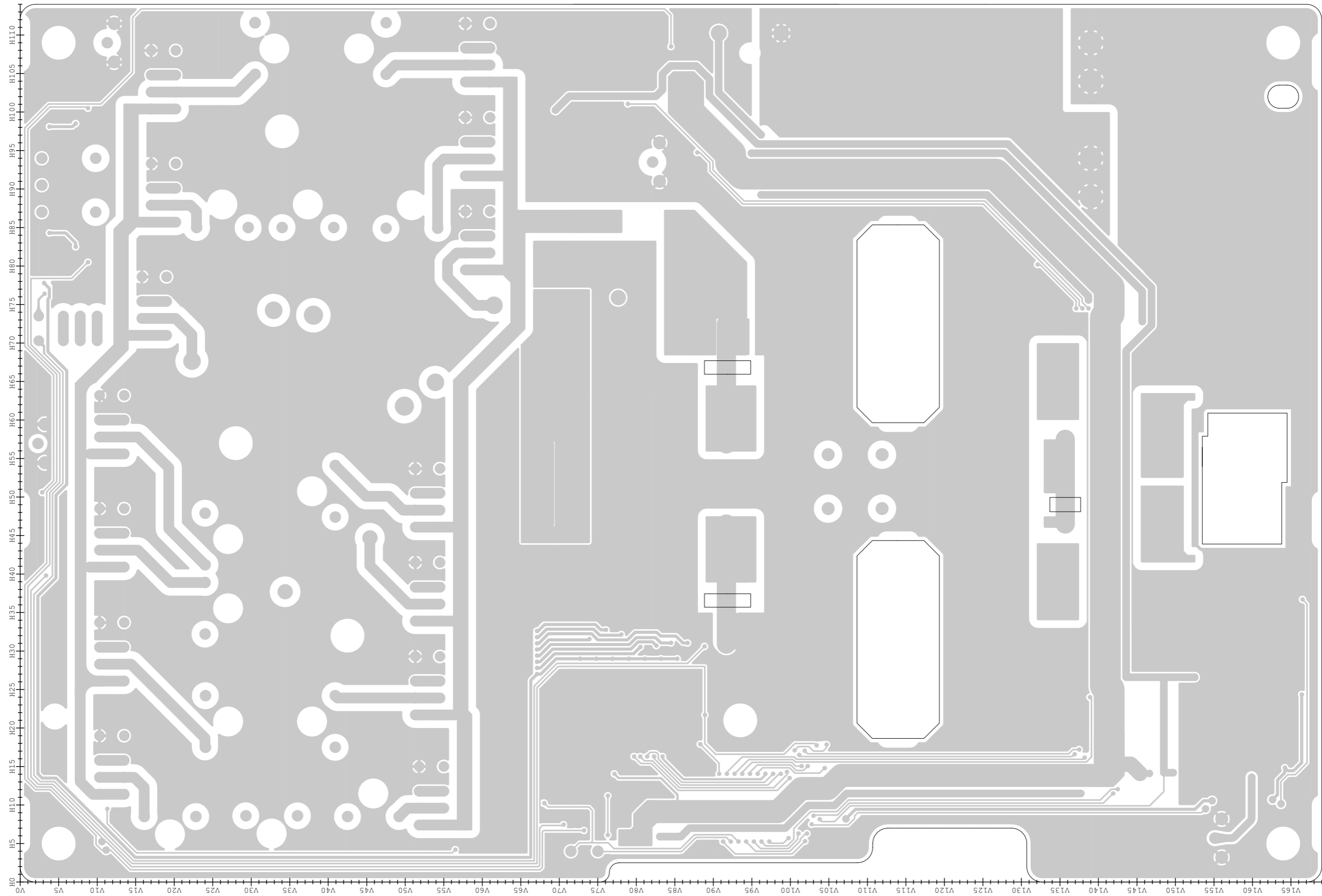
• PA UNIT B-8328D (Top view)



See the PARTS LIST H/V location on the PARTS LIST for location details.

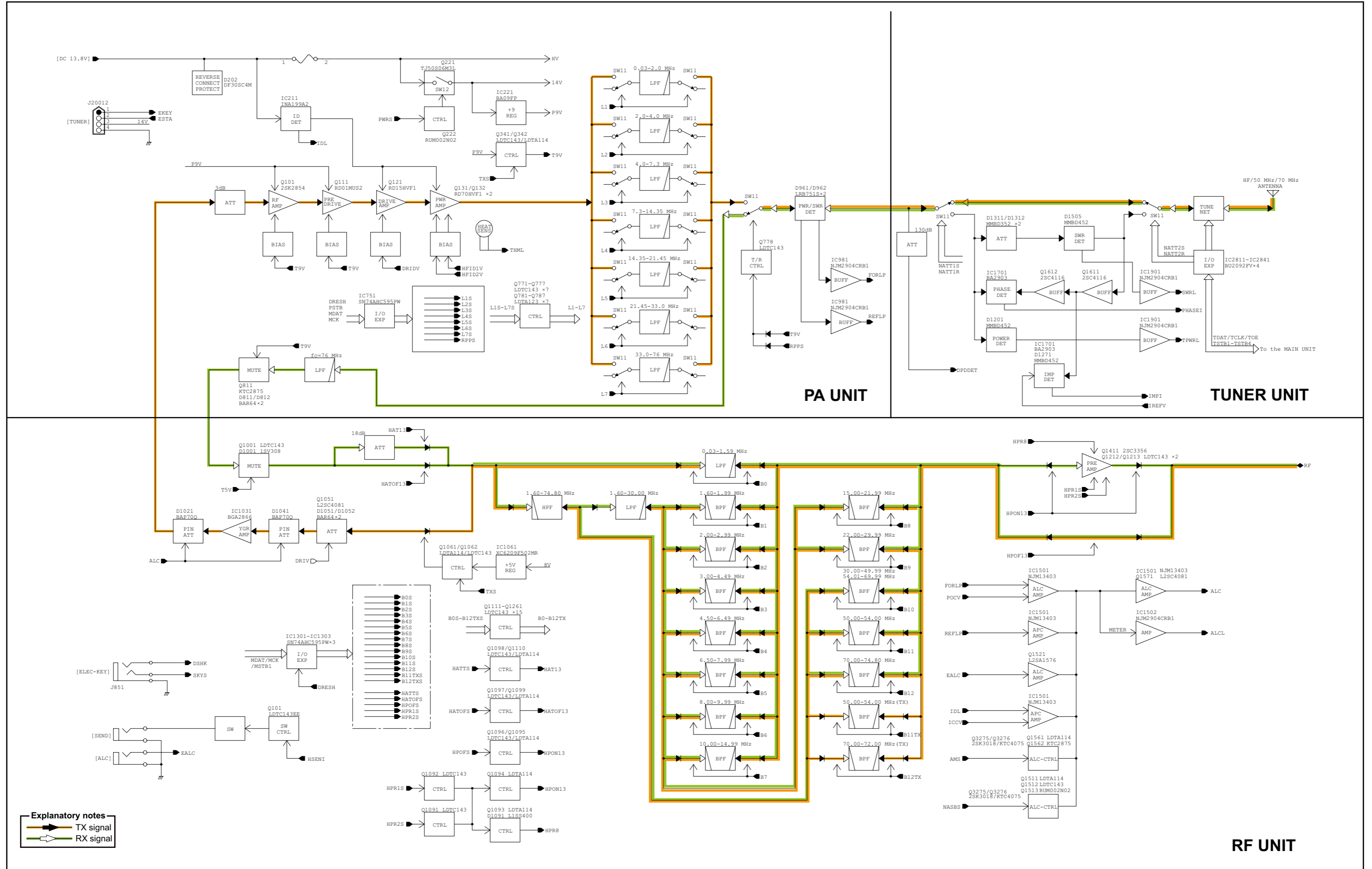
The actual configuration of the PC board can be seen by viewing the top and bottom BOARD LAYOUT pages together.

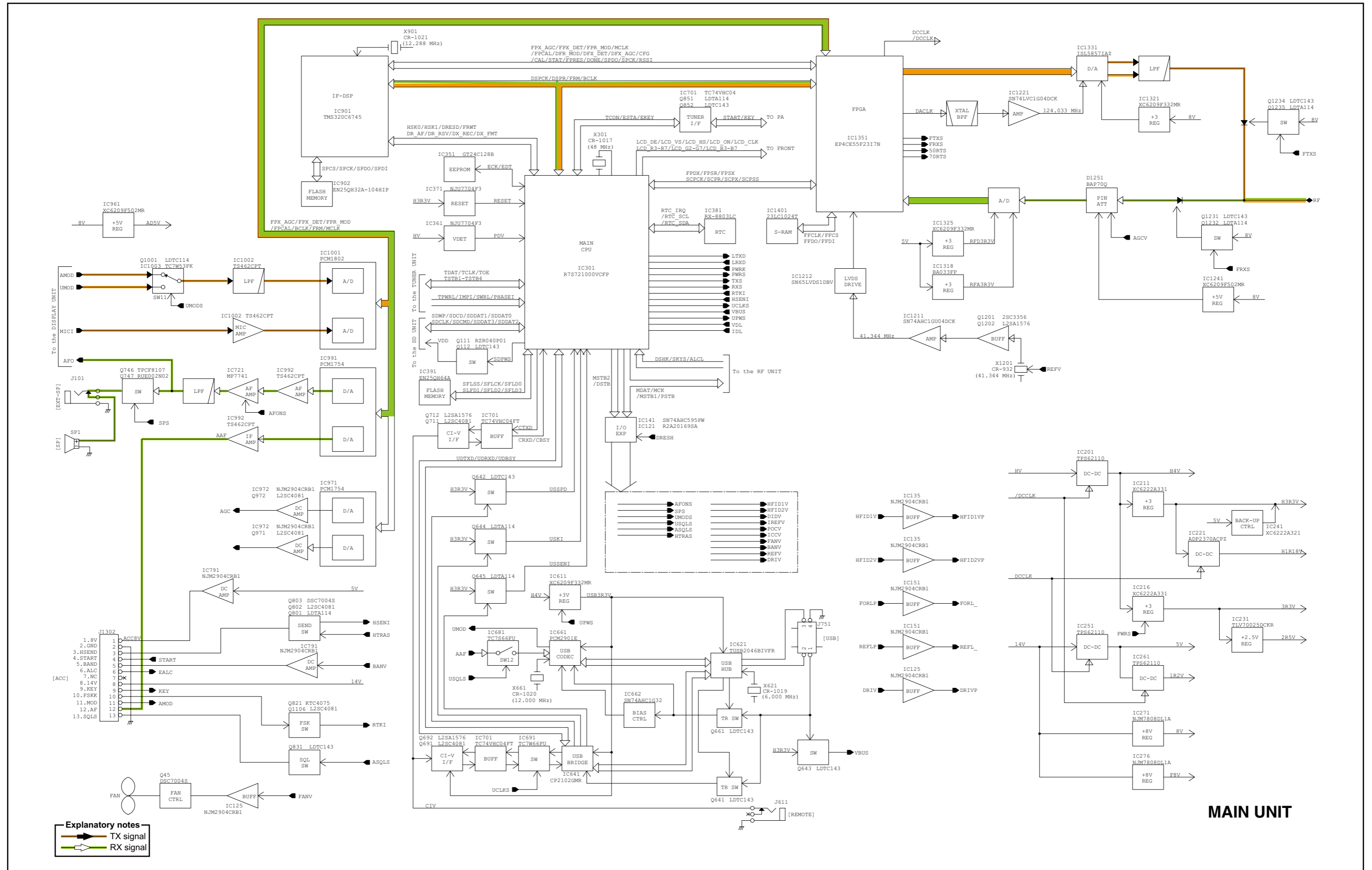
• PA UNIT B-8328D (Bottom view)



See the PARTS LIST H/V location on the PARTS LIST for location details.

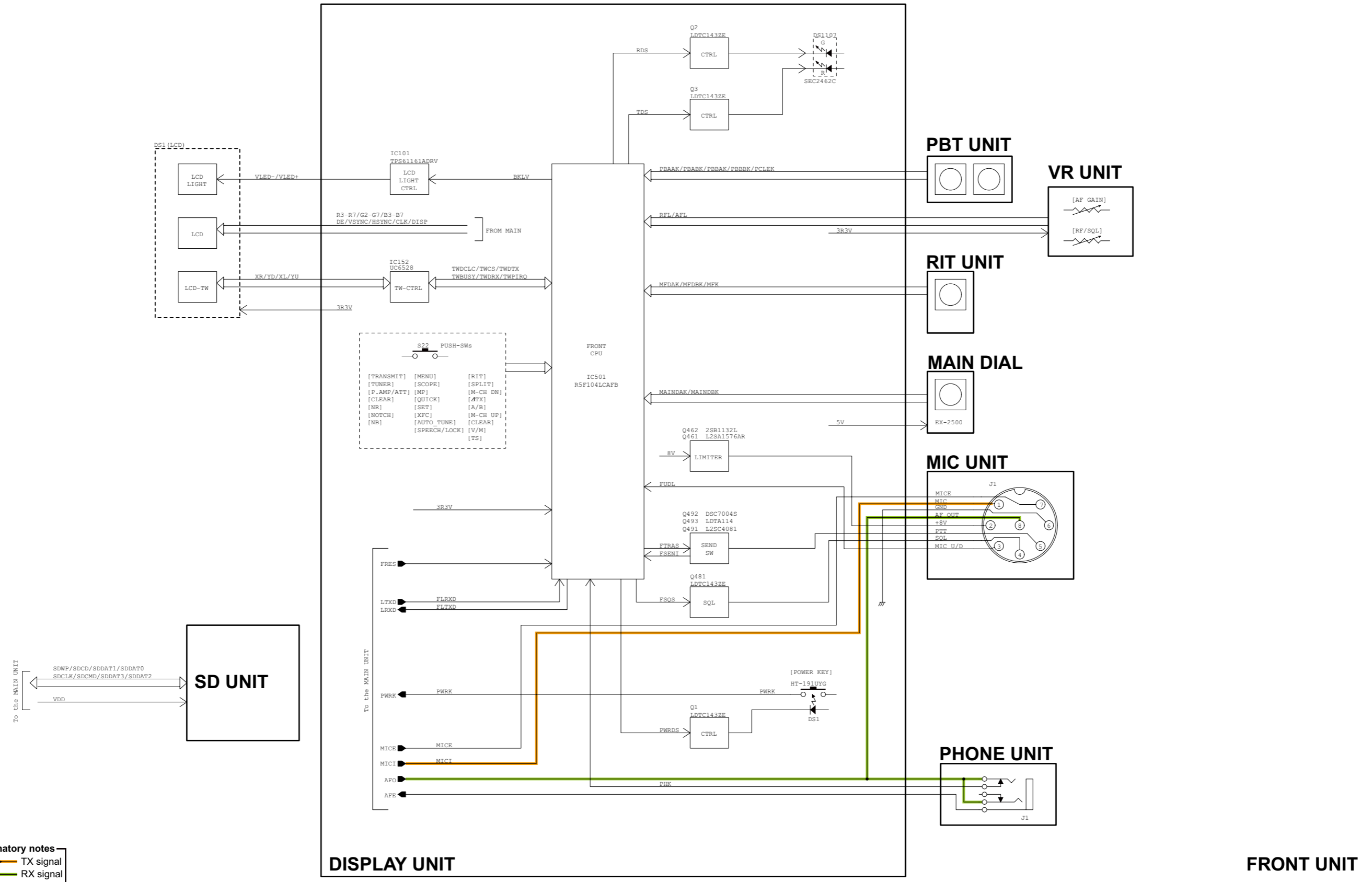
BLOCK DIAGRAMS





Explanatory notes
 TX signal
 RX signal

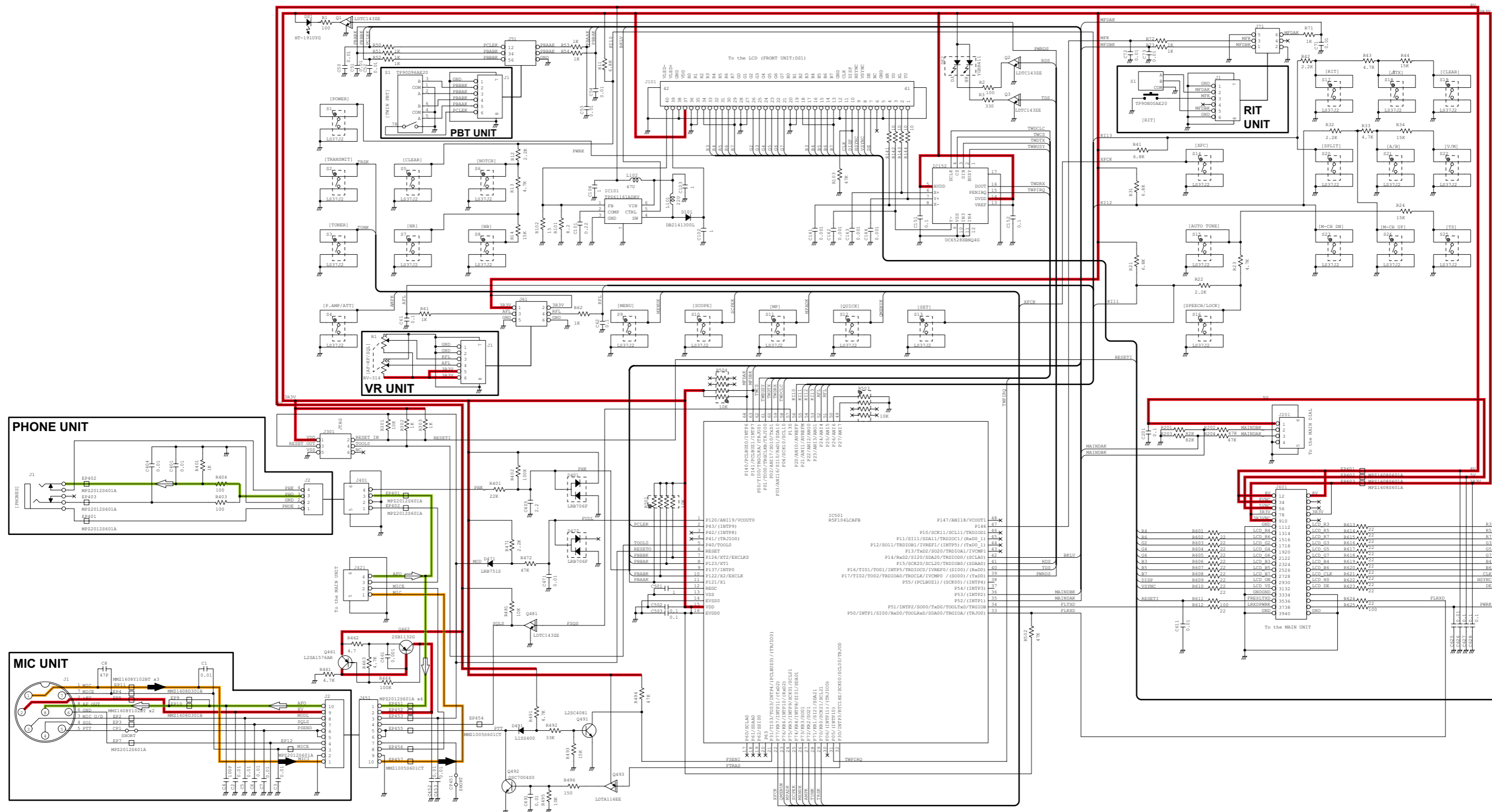
MAIN UNIT



Explanatory notes
 TX signal
 RX signal

SCHEMATIC DIAGRAMS

• FRONT UNIT

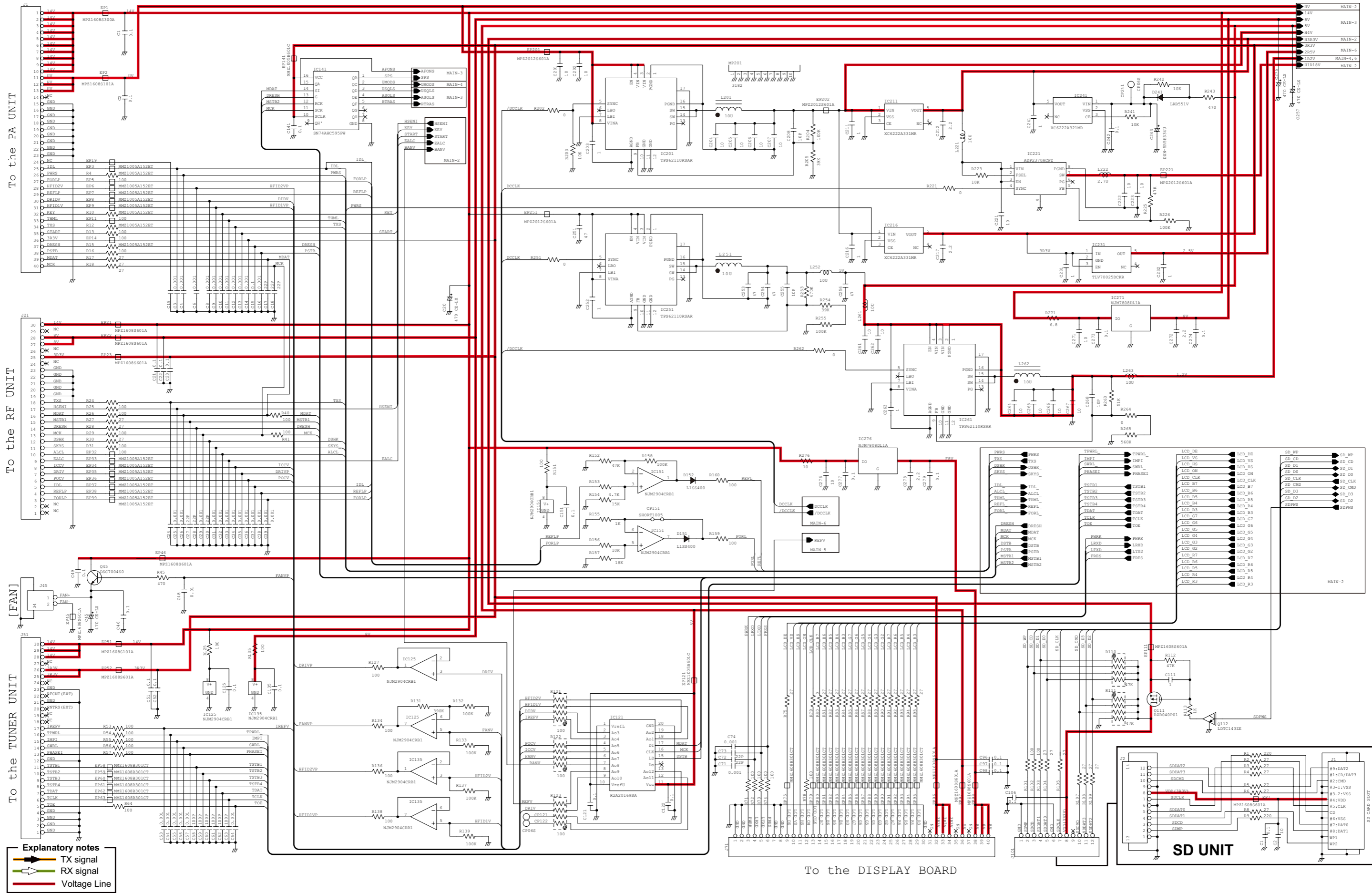


Explanatory notes

- TX signal
- RX signal
- Voltage Line

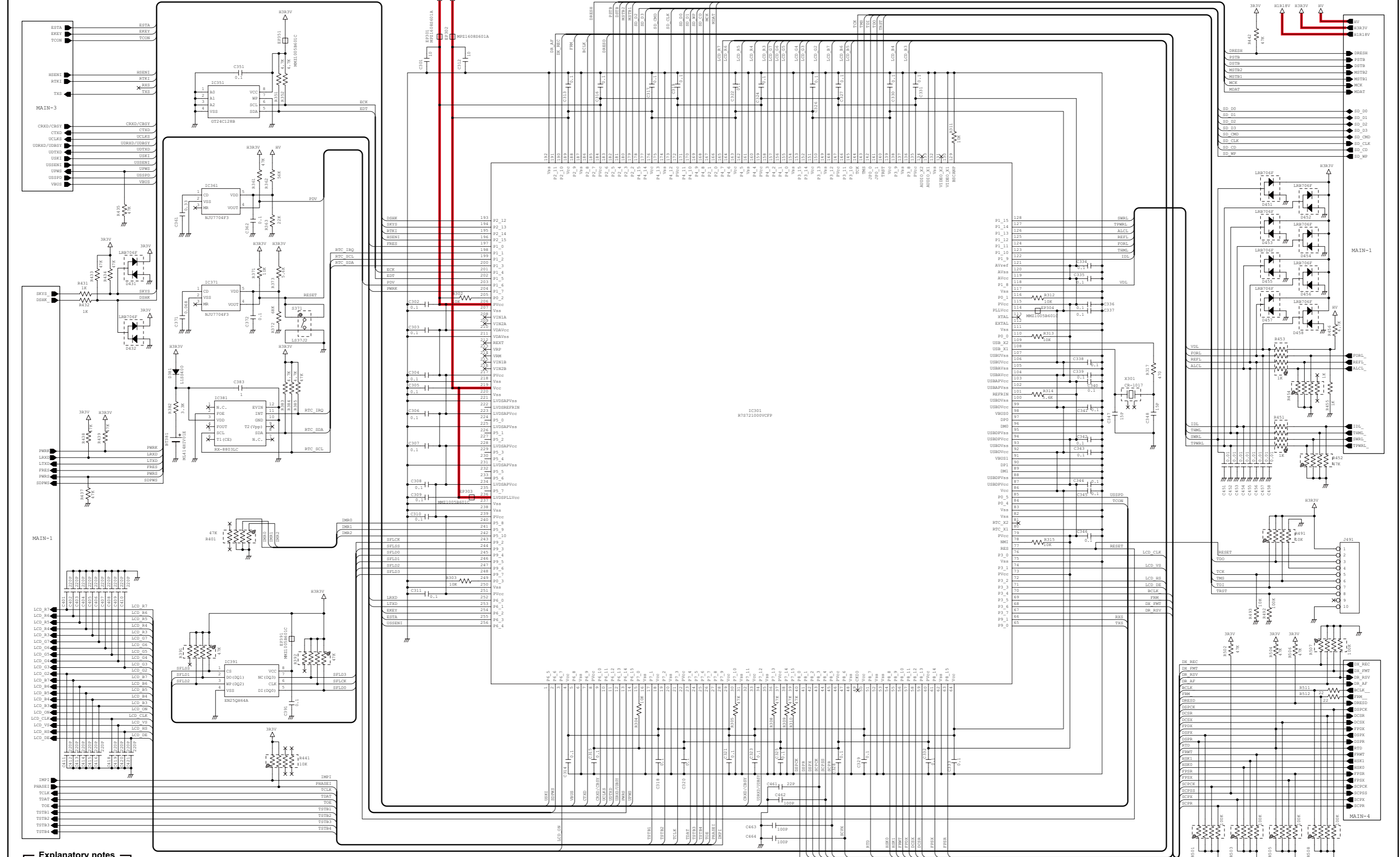
*: Refer to the PARTS LIST for the value and name of component.

• MAIN UNIT (MAIN-1)



*: Refer to the PARTS LIST for the value and name of component.

• MAIN UNIT (MAIN-2)

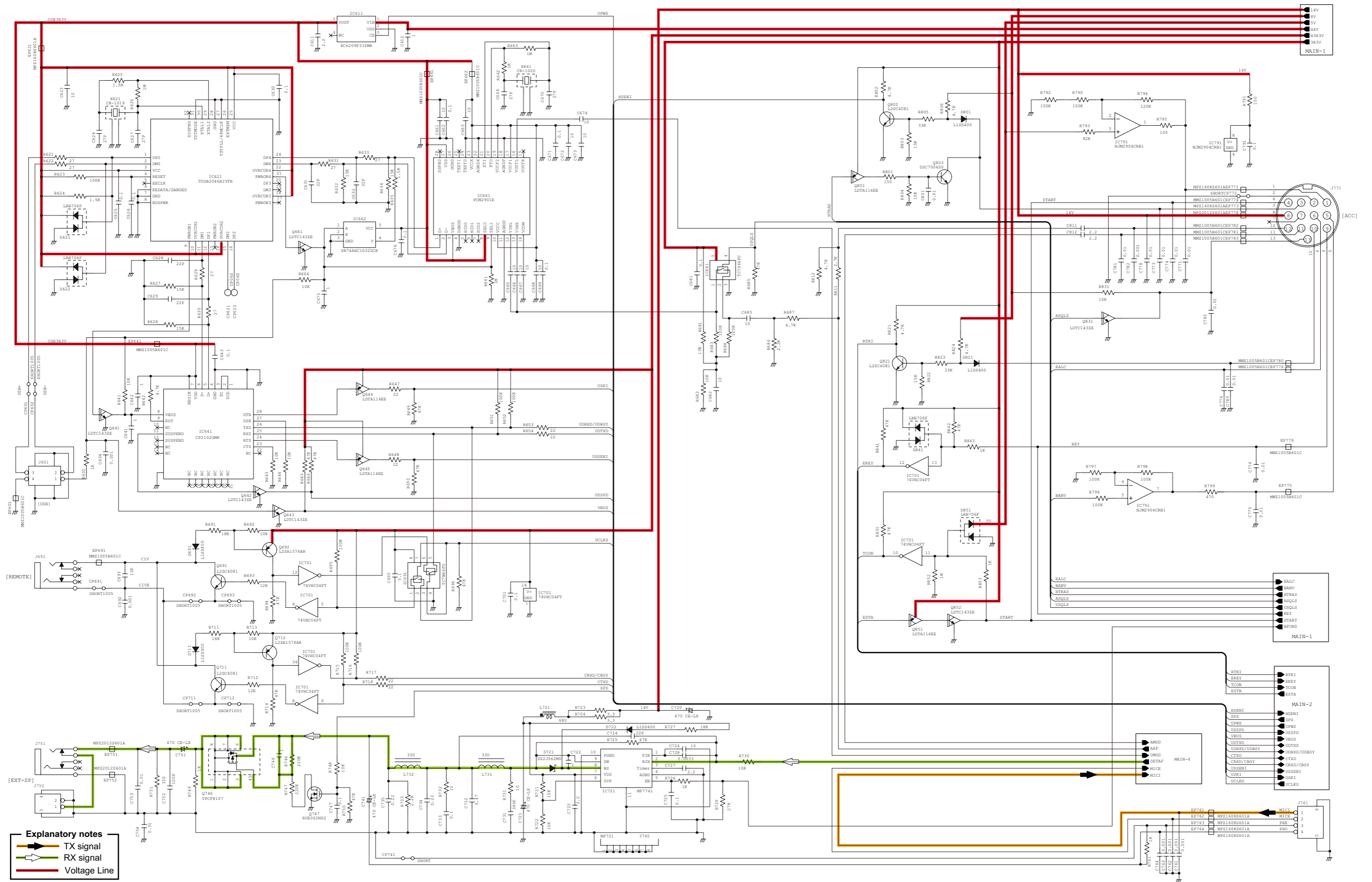


Explanatory notes

- TX signal
- RX signal
- Voltage Line

*: Refer to the PARTS LIST for the value and name of component.

• MAIN UNIT (MAIN-3)

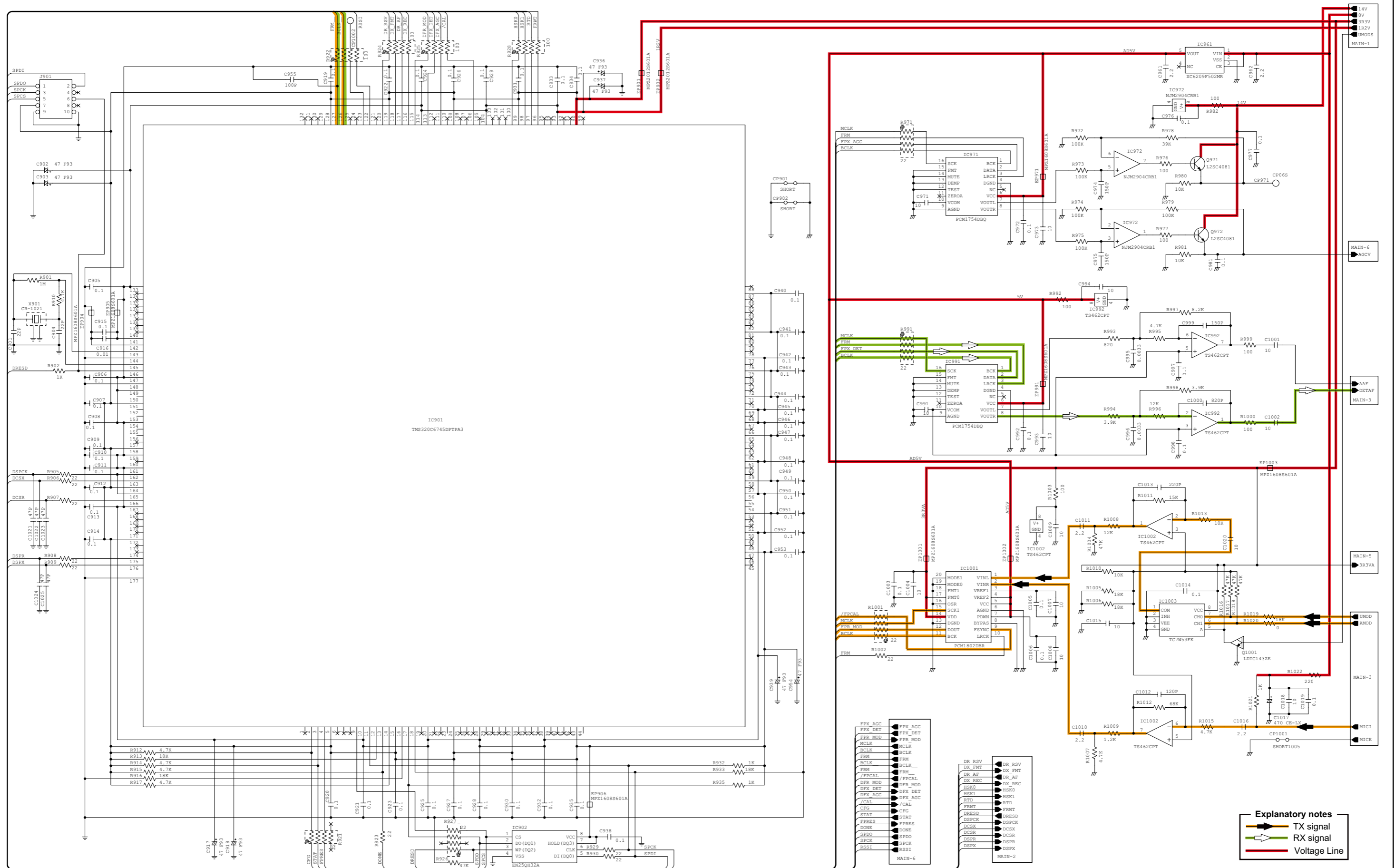


Explanatory notes

- TX signal
- RX signal
- Voltage Line

*: Refer to the PARTS LIST for the value and name of component.

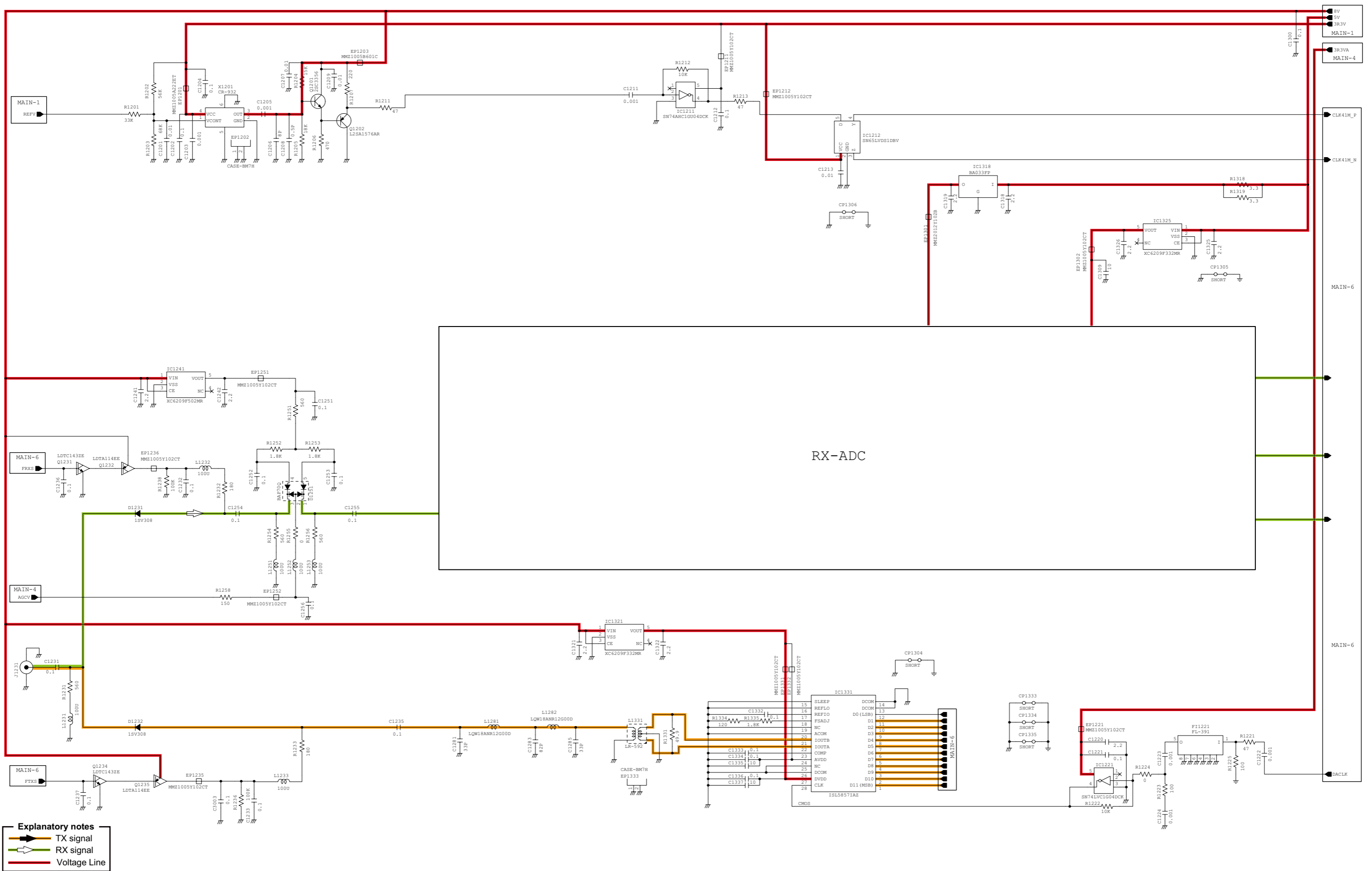
• MAIN UNIT (MAIN-4)



Explanatory notes
 — TX signal
 — RX signal
 — Voltage Line

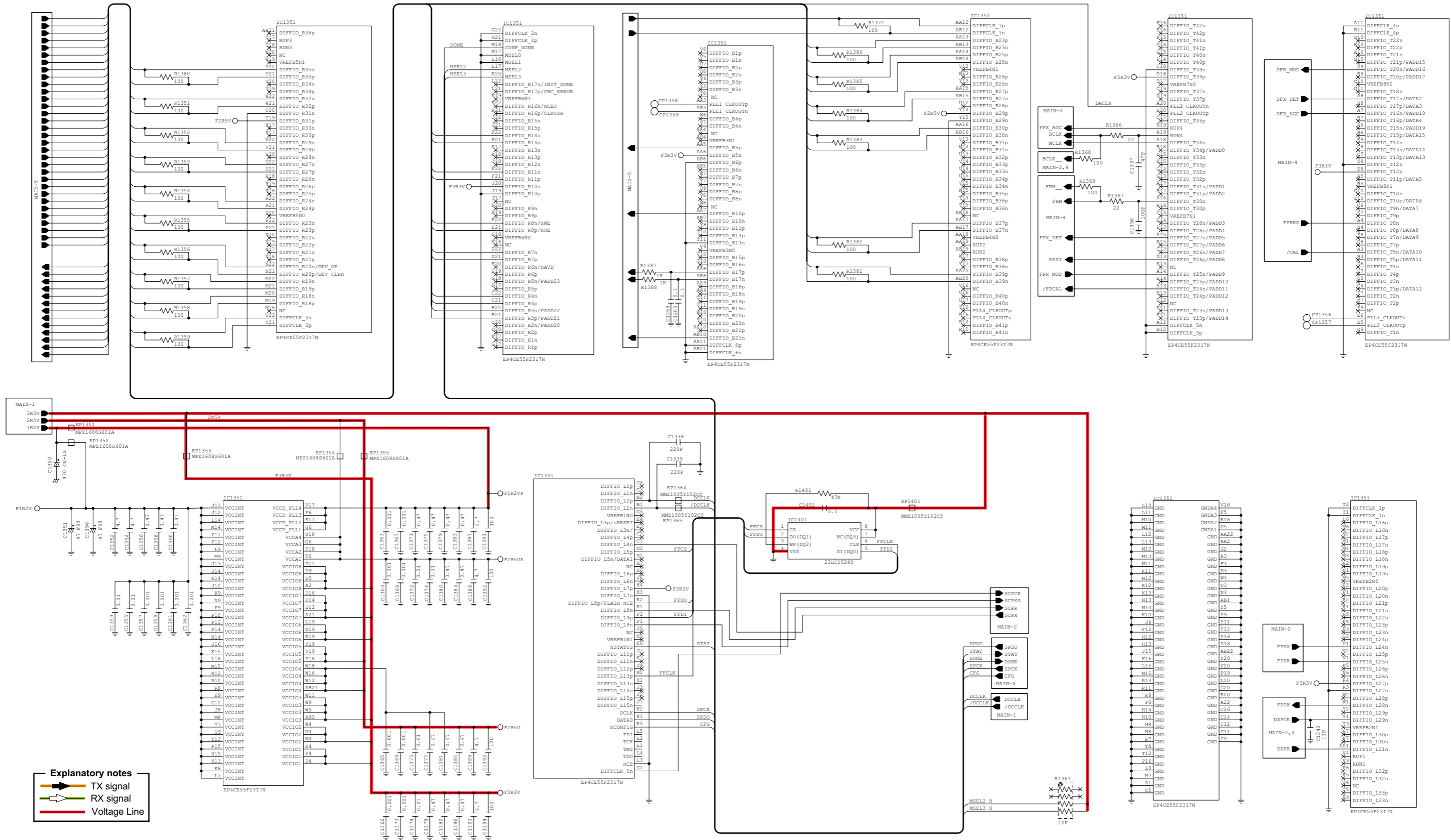
*: Refer to the PARTS LIST for the value and name of component.

• MAIN UNIT (MAIN-5)



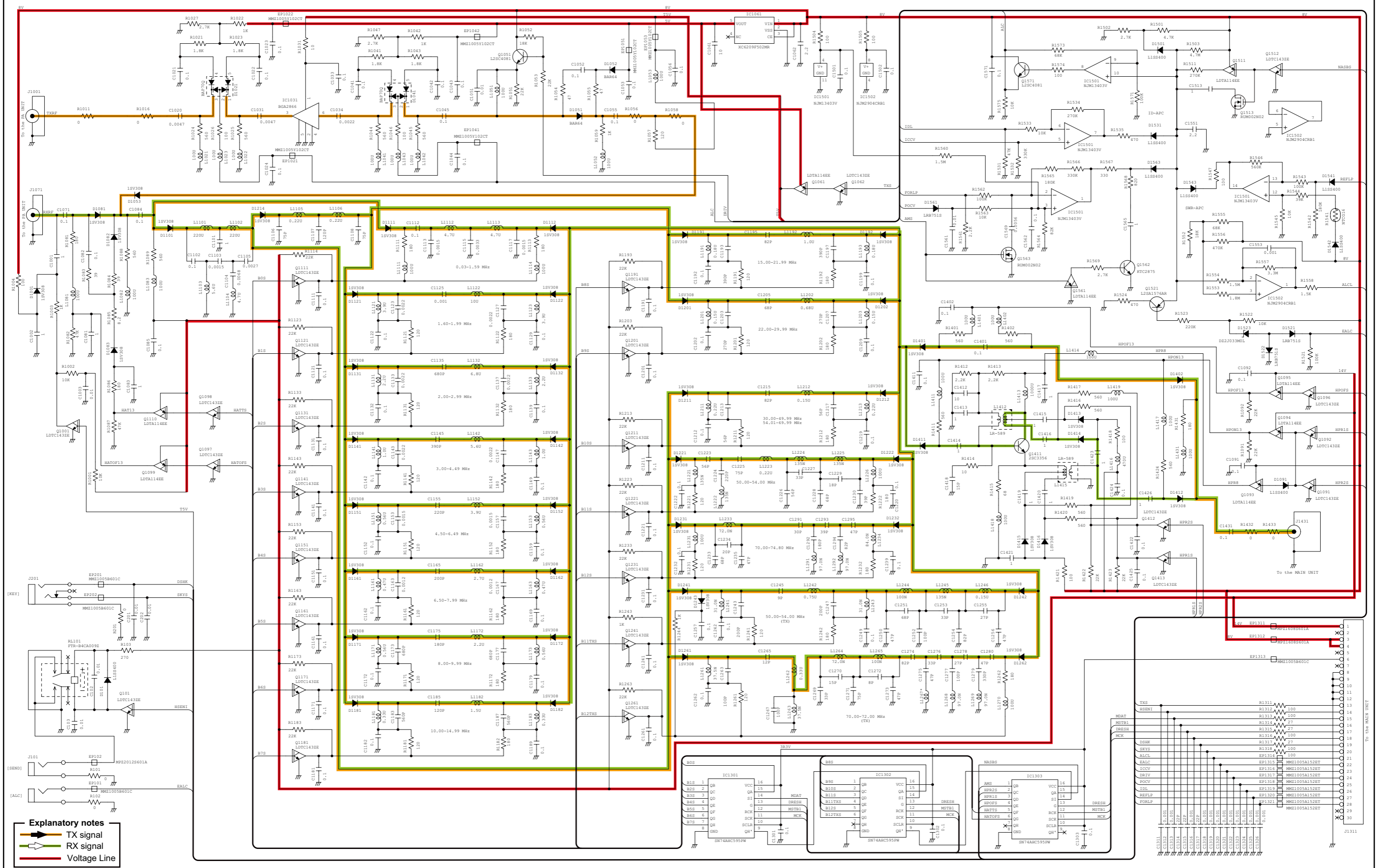
*: Refer to the PARTS LIST for the value and name of component.

• MAIN UNIT (MAIN-6)



*: Refer to the PARTS LIST for the value and name of component.

• RF UNIT

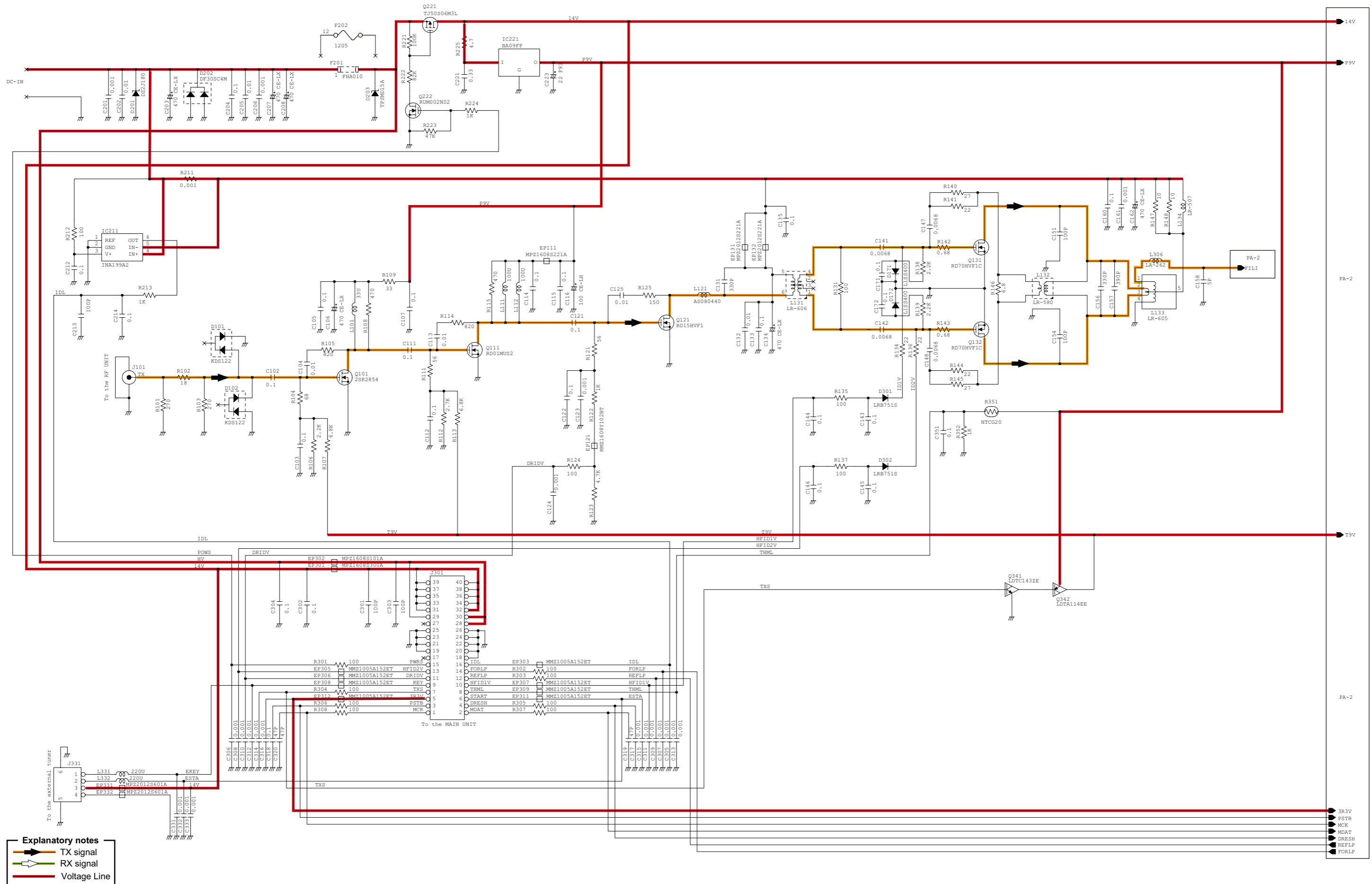


Explanatory notes

- TX signal
- RX signal
- Voltage Line

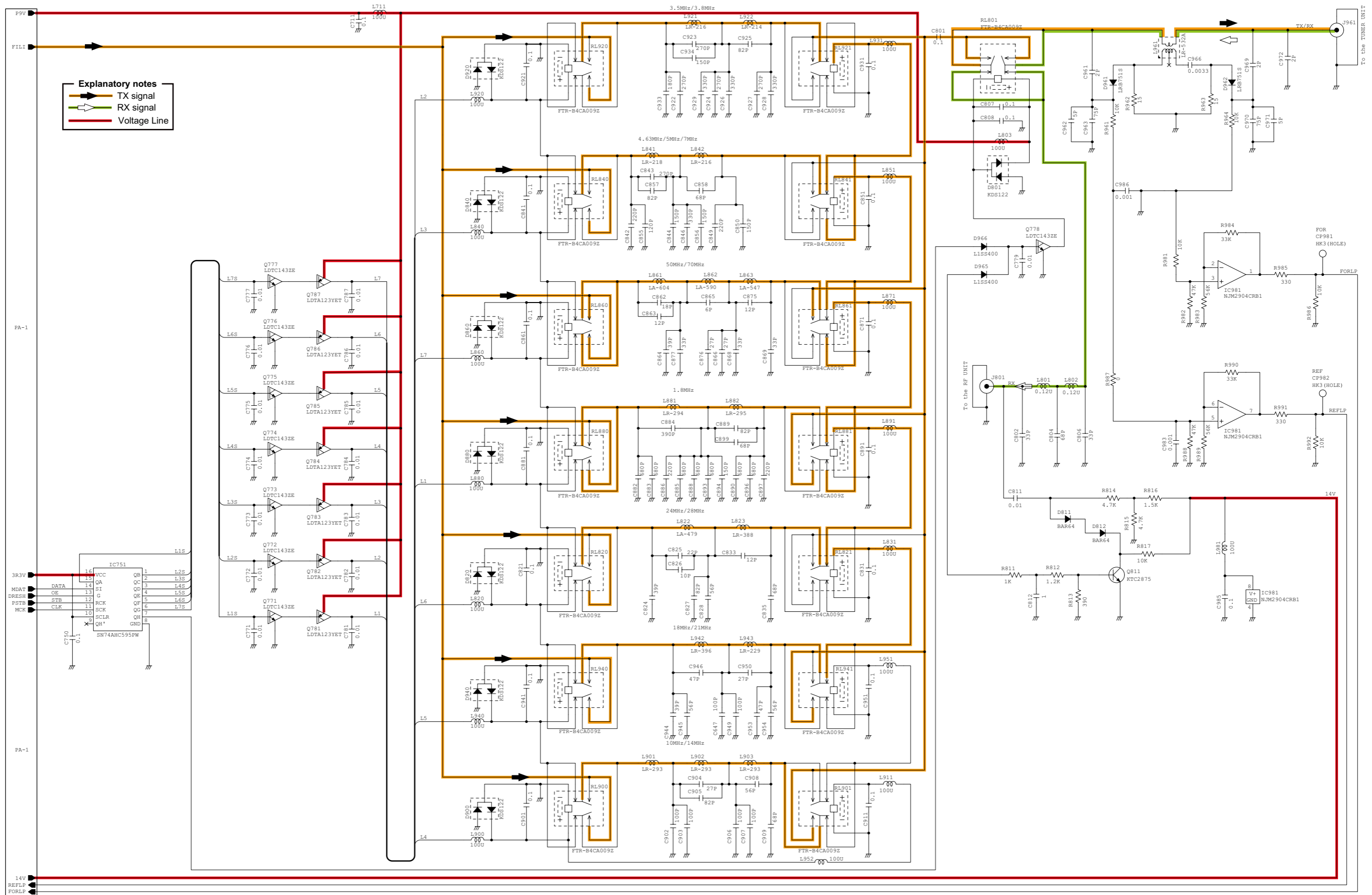
*: Refer to the PARTS LIST for the value and name of component.

• PA UNIT (PA-1)



*: Refer to the PARTS LIST for the value and name of component.

• PA UNIT (PA-2)



*: Refer to the PARTS LIST for the value and name of component.



SERVICE MANUAL

HF/50 MHz TRANSCEIVER

IC-7300

S-15218XZ-C1
March 2016

Icom Inc.

INTRODUCTION

This service manual describes the latest technical information for the **IC-7300** HF/50 MHz TRANSCEIVER, at the time of publication.

MODEL	VERSION	VERSION NUMBER	OPERATABLE BANDS
IC-7300	USA	#02	HF/50 MHz
	EUR	#03	HF/50/70 MHz
	ITR	#05	
	ESP	#06	
	TPE	#07	HF/50 MHz
	KOR	#08	
	EXP	#12	

To upgrade quality, any electrical or mechanical parts and internal circuits are subject to change without notice or obligation.

SERVICE CAUTION

NEVER connect the transceiver to a DC power supply that uses more than the specified voltage. This will ruin the transceiver.

DO NOT expose the transceiver to rain, snow or liquids.

DO NOT reverse the polarities of the power supply when directly applying power to the transceiver/circuit.

DO NOT apply an RF signal of more than 20 dBm (100 mW) to the antenna connector. This could damage the transceiver's front-end.



ORDERING PARTS

Be sure to include the following four points when ordering replacement parts:

1. 10-digit Icom part number
2. Component name
3. Equipment model name and unit name
4. Quantity required

<ORDER EXAMPLE>

1180004830	XC6222A331MR	IC-7300	MAIN UNIT	5 pieces
8110010940	3765 U-COVER	IC-7300	CHASSIS	1 piece

Addresses are provided on the inside back cover for your convenience.

REPAIR NOTES

1. Make sure that the problem is internal before disassembling the transceiver.
2. **DO NOT** open the transceiver until the transceiver is disconnected from its power source.
3. **DO NOT** force any of the variable components. Turn them slowly and smoothly.
4. **DO NOT** short any circuits or electronic parts. An insulated tuning tool **MUST** be used for all adjustments.
5. **DO NOT** keep power ON for a long time when the transceiver is defective.
6. **NEVER** directly transmit power into any test equipment such as Standard Signal Generator or a Sweep Generator, otherwise the RF power may damage them.
7. **ALWAYS** connect a 50 dB to 60 dB attenuator between the transceiver and such test equipment.
8. **READ** the instructions of the test equipment thoroughly before connecting it to the transceiver.

TABLE OF CONTENTS

SECTION 1	SPECIFICATIONS	
SECTION 2	INSIDE VIEWS	
SECTION 3	CIRCUIT DESCRIPTION	
3-1	PA UNIT	3-1
3-2	RF UNIT	3-2
3-3	MAIN UNIT	3-3
SECTION 4	ADJUSTMENT PROCEDURE	
4-1	PREPARATION	4-1
4-2	RECEIVE ADJUSTMENTS.....	4-2
4-3	TX IDLING CURRENT ADJUSTMENTS	4-3
4-4	TX POWER ADJUSTMENTS.....	4-4
4-5	TX AMPLIFIER ADJUSTMENTS	4-5
4-6	FREQUENCY ADJUSTMENTS.....	4-6
SECTION 5	PARTS LIST	
SECTION 6	MECHANICAL PARTS	
SECTION 7	BOARD LAYOUTS	
SECTION 8	GENERAL WIRING	
SECTION 9	BLOCK DIAGRAM	
SECTION 10	SCHEMATIC DIAGRAM	

General

- Frequency coverage (unit: MHz):

Receiver	0.030000~74.800000* ¹
Transmitter	1.800000~ 1.999999* ²
	3.500000~ 3.999999* ²
	5.255000~ 5.405000* ²
	7.000000~ 7.300000* ²
	10.100000~ 10.150000* ²
	14.000000~ 14.350000* ²
	18.068000~ 18.168000* ²
	21.000000~ 21.450000* ²
	24.890000~ 24.990000* ²
	28.000000~ 29.700000* ²
	50.000000~ 54.000000* ²
	70.000000~ 70.500000* ²

*¹ Some frequency ranges are not guaranteed.

*² Depending on the transceiver version.

- Operating modes: USB/LSB (J3E), CW (A1A), RTTY (F1B), AM (A3E) and FM (F3E)
- Number of memory channels: 101 (including 2 scan edges)
- Antenna connector: SO-239 (antenna impedance: 50 Ω unbalanced)
- Power supply requirement: 13.8 V DC (±15%)
- Operating temperature range: -10°C to +60°C, +14°F to +140°F
- Frequency stability: Less than ±0.5 ppm (-10°C to +60°C, +14°F to +140°F)
- Frequency resolution: 1 Hz (minimum)
- Power consumption:

Receive	Standby	0.9 A
	Maximum audio	1.25 A
Transmit	Maximum power	21.0 A
- Dimensions (projections not included): 240 (W)×94 (H)×238 (D) mm, 9.4 (W)×3.7 (H)×9.4 (D) in
- Weight (approximately): 4.2 kg, 9.3 lb

Transmitter

- Transmit output power:

HF and 50 MHz bands	
SSB/CW/RTTY/FM	2~100 W
AM	1~25 W
70 MHz band* ²	
SSB/CW/RTTY/FM	2~50 W
AM	1~12.5 W

*² Depending on the transceiver version.

- Modulation system:

SSB	P.S.N. modulation
AM	Low power modulation
FM	Reactance modulation

- Spurious emission:

Harmonics	Less than -50 dB (1.8~28 MHz)
	Less than -63 dB (50 MHz band)
	Less than -60 dB (70 MHz band* ²)
Out-of-band emission	Less than -40 dB (1.8~28 MHz)
	Less than -60 dB (50 MHz band)
	Less than -60 dB (70 MHz band* ²)

*² Depending on the transceiver version.

- Carrier suppression: More than 50 dB
- Unwanted sideband suppression: More than 50 dB
- Input impedance (microphone): 600 Ω

Receiver

• Receive system:	Direct sampling superheterodyne
• Intermediate frequency:	36 kHz
• Sensitivity (Filter: SOFT):	
SSB/CW (at 10 dB S/N)	
1.8 ~ 29.999999 MHz	Less than -123 dBm (0.16 μ V) (P.AMP1 ON)
50 MHz band	Less than -125 dBm (0.13 μ V) (P.AMP2 ON)
70 MHz band* ²	Less than -123 dBm (0.16 μ V) (P.AMP2 ON)
	* ² Depending on the transceiver version.
AM (at 10 dB S/N)	
0.5 ~ 1.8 MHz	Less than -85 dBm (12.6 μ V) (P.AMP1 ON)
1.8 ~ 29.999999 MHz	Less than -101 dBm (2.0 μ V) (P.AMP1 ON)
50 MHz and 70 MHz bands	Less than -107 dBm (1.0 μ V) (P.AMP2 ON)
FM (at 12 dB SINAD)	
28.0 ~ 29.7 MHz	Less than -113 dBm (0.5 μ V) (P.AMP1 ON)
50 MHz and 70 MHz bands	Less than -119 dBm (0.25 μ V) (P.AMP2 ON)
• Squelch sensitivity (threshold):	
SSB	Less than -92 dBm (5.6 μ V)
FM	Less than -117 dBm (0.3 μ V)
	(HF band: P.AMP1 ON, 50 MHz band: P.AMP2 ON)
• Selectivity (Filter: SHARP):	
SSB (BW=2.4 kHz)	More than 2.4 kHz/-6 dB
	Less than 3.4 kHz/-40 dB
CW (BW=500 Hz)	More than 500 Hz/-6 dB
	Less than 700 Hz/-40 dB
RTTY (BW=500 Hz)	More than 500 Hz/-6 dB
	Less than 800 Hz/-40 dB
AM (BW=6 kHz)	More than 6.0 kHz/-6 dB
	Less than 10 kHz/-40 dB
FM (BW=15 kHz)	More than 12.0 kHz/-6 dB
	Less than 22 kHz/-40 dB
• Spurious and image rejection:	More than 70 dB (except for ADC aliasing)
• Audio output power:	More than 2.5 W (at 10% distortion into the 8 Ω load, at the 1 kHz reference)
• Output impedance (Speaker):	8 Ω
• RIT variable range:	\pm 9.999 kHz

Antenna tuner

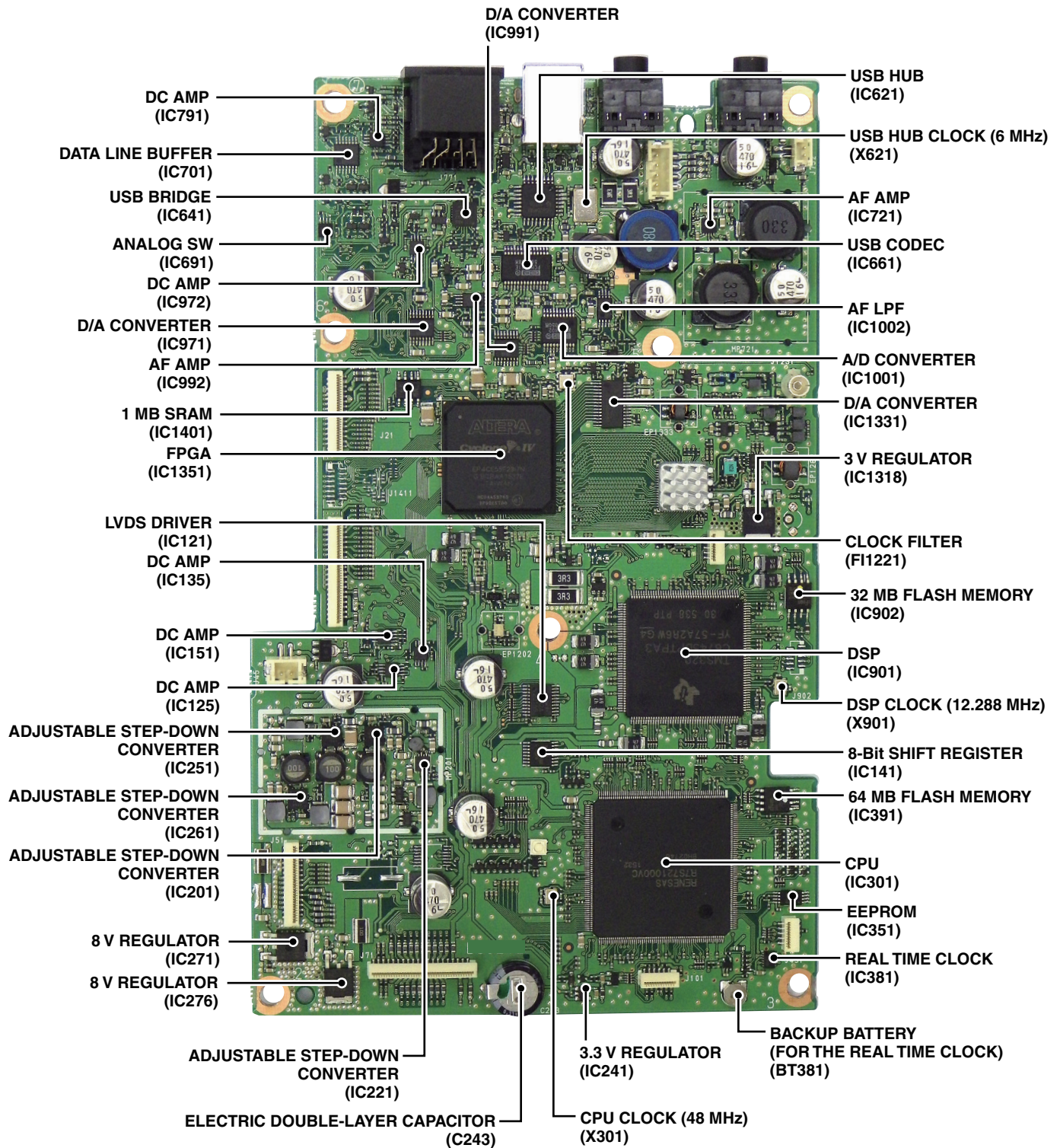
• Tunable impedance range:	16.7~150 Ω (unbalanced) (less than 3:1 VSWR)
• Tuning accuracy:	Less than 1.5:1 VSWR
• Tuning time (approximately):	2~3 seconds (average)
	15 seconds (maximum)

① All stated specifications are typical and subject to change without notice or obligation.

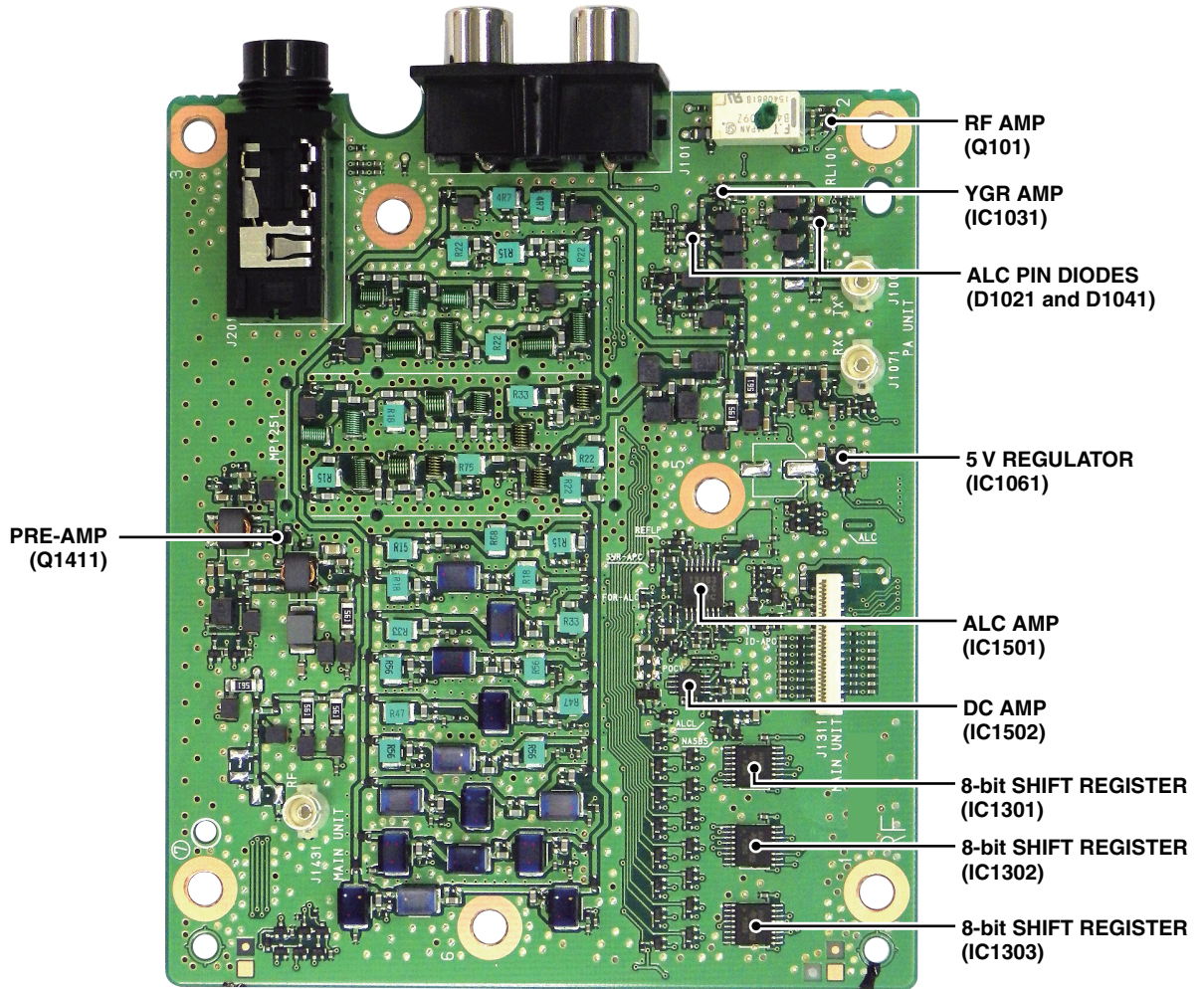
SECTION 2

INSIDE VIEWS

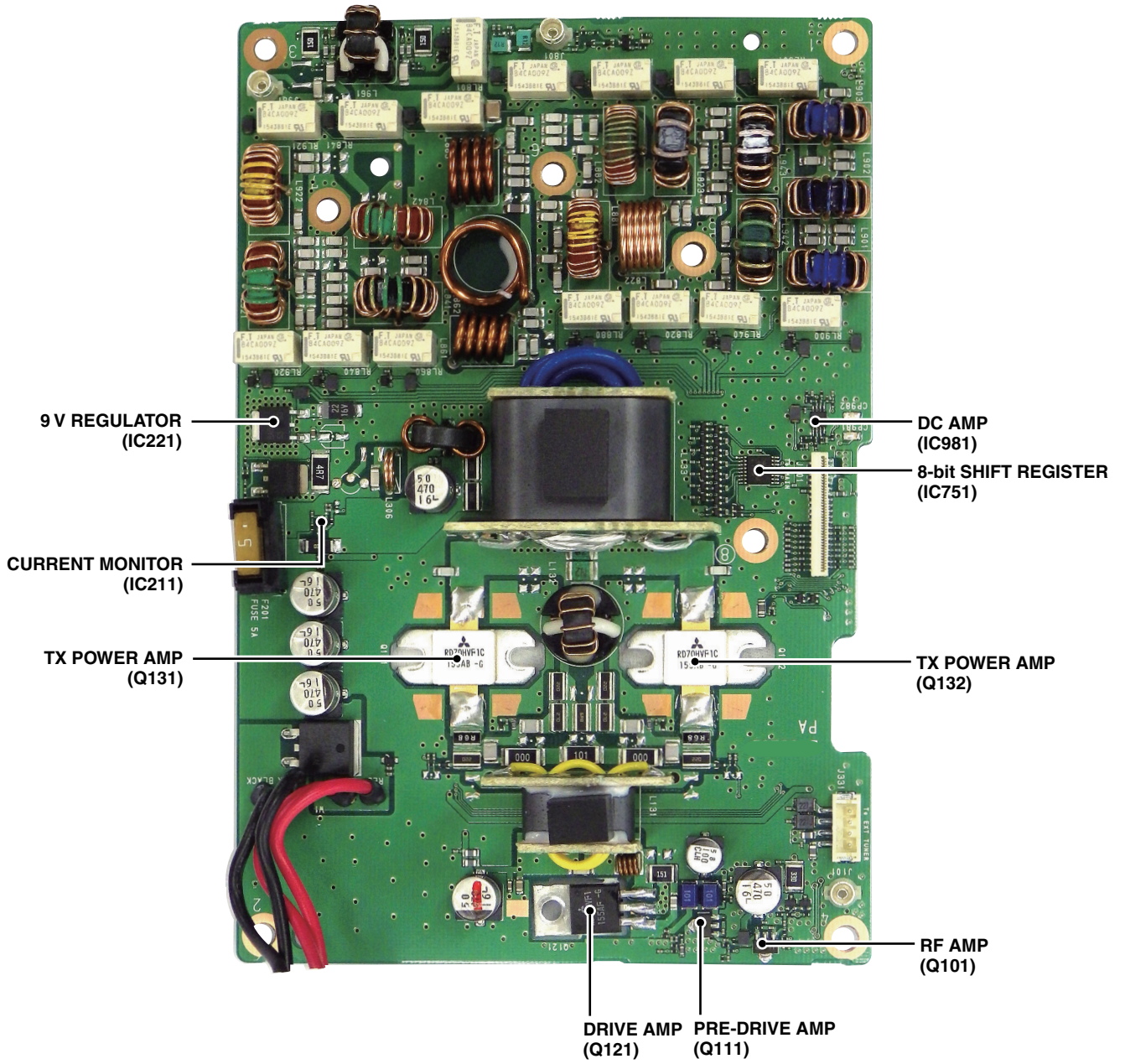
• MAIN UNIT



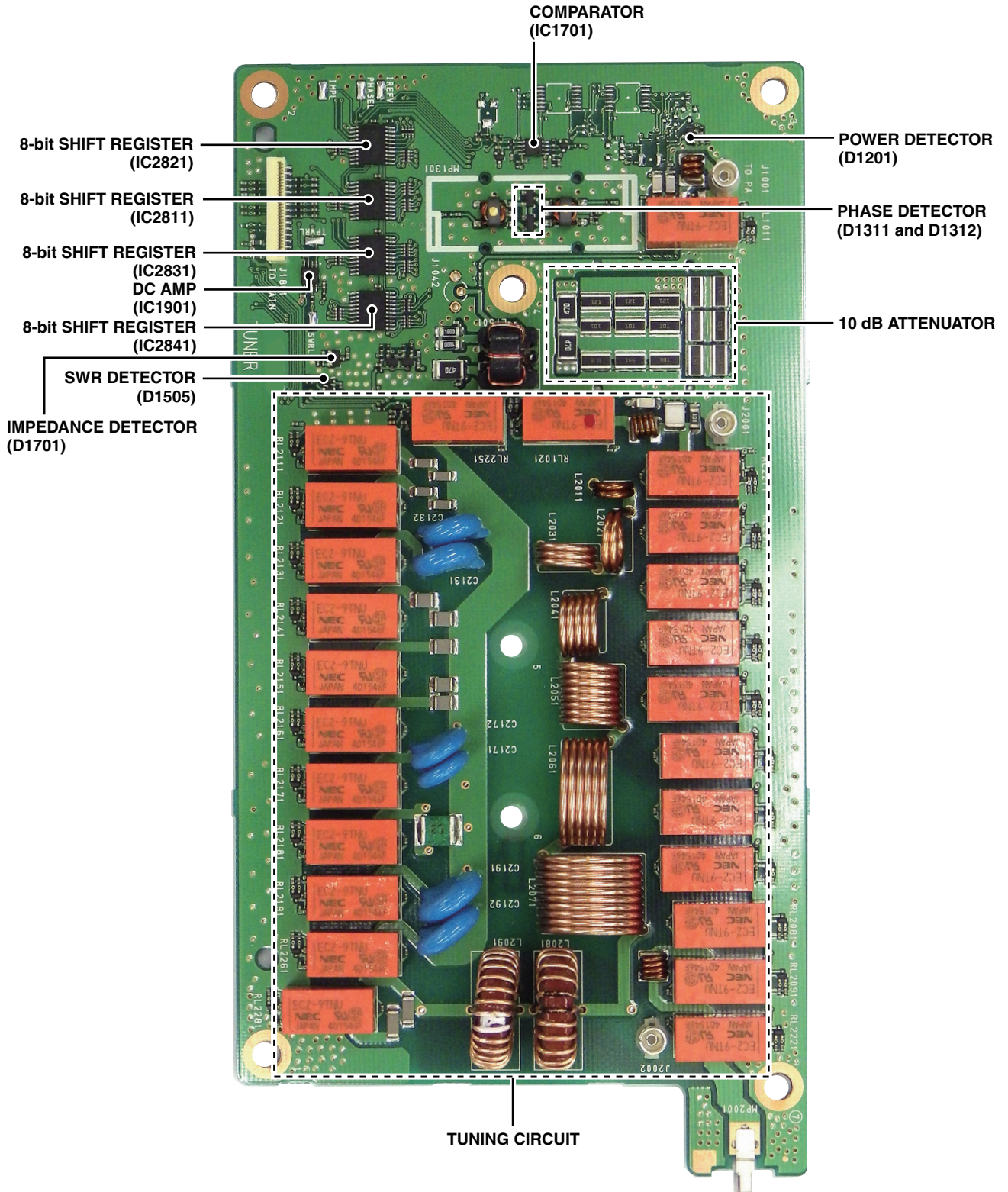
• RF UNIT



• PA UNIT



• TUNER UNIT



3-1 PA UNIT

The PA UNIT is composed of the transmit power amplifier, harmonic filters, and sensing circuits for the transmit power and SWR.

(1) RECEIVE SIGNAL PROCESSING

The received signal from the TUNER UNIT is passed through the TX/RX SW (RL801), and applied to the RF UNIT through the LPF whose cut-off frequency is 76 MHz, and the TX mute switch (Q811, D811 and D812).

To prevent abnormal oscillations caused by feedback of the transmit signal, the TX mute switch connects the transmit line to ground while receiving.

(2) TRANSMIT SIGNAL PROCESSING

• DRIVE AMPLIFIER

The transmit signal from the RF UNIT is sequentially amplified by the RF amplifier (Q101), pre-drive amplifier (Q111) and drive amplifier (Q121). These RF amplifiers are the high gain source-grounded amplifiers. The idling current of drive amplifier (Q121) is appropriately adjusted to compensate for variation in gain.

• POWER AMPLIFIER

The transmit signal from the drive amplifier (Q121) is applied to the push-pull power amplifier (Q131 and Q132) to be amplified up to 100 watts (for the HF/50 MHz band) or 50 watts (for the 70 MHz band). The idling current of the power amplifier is appropriately adjusted to compensate for variation in gain.

• LPF

The transmit signal from the power amplifier is filtered by one of the LPFs that is selected according to the transmit frequency. These LPFs are the Chebyshev filters with sharp cut-off characteristics, to reduce the harmonic components in the transmit signal.

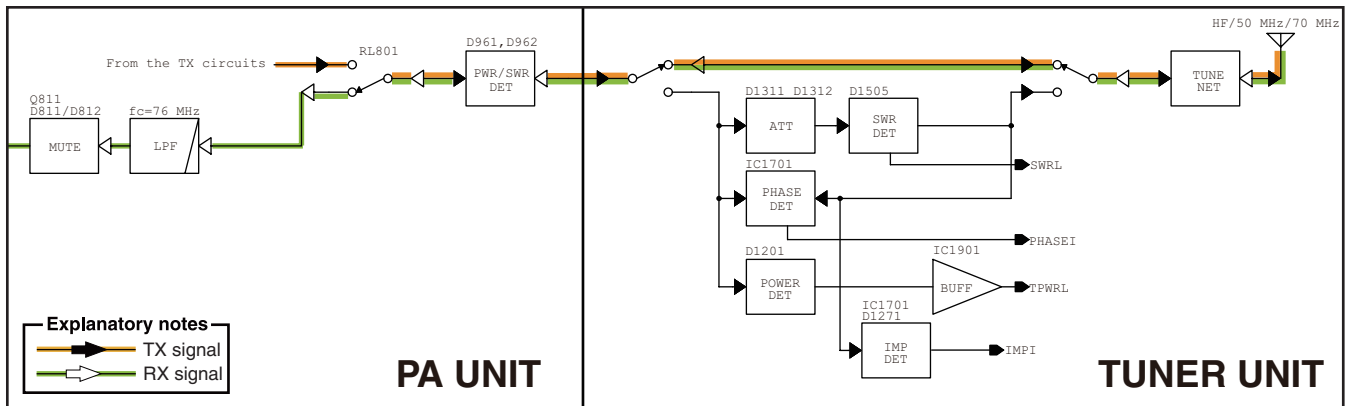
There are 7 BPFs with different cut-off frequencies. The LPFs are selected by the relays on both sides of each LPF, according to the transmit frequency.

• FORWARD AND REFLECT WAVES DETECTION CIRCUIT

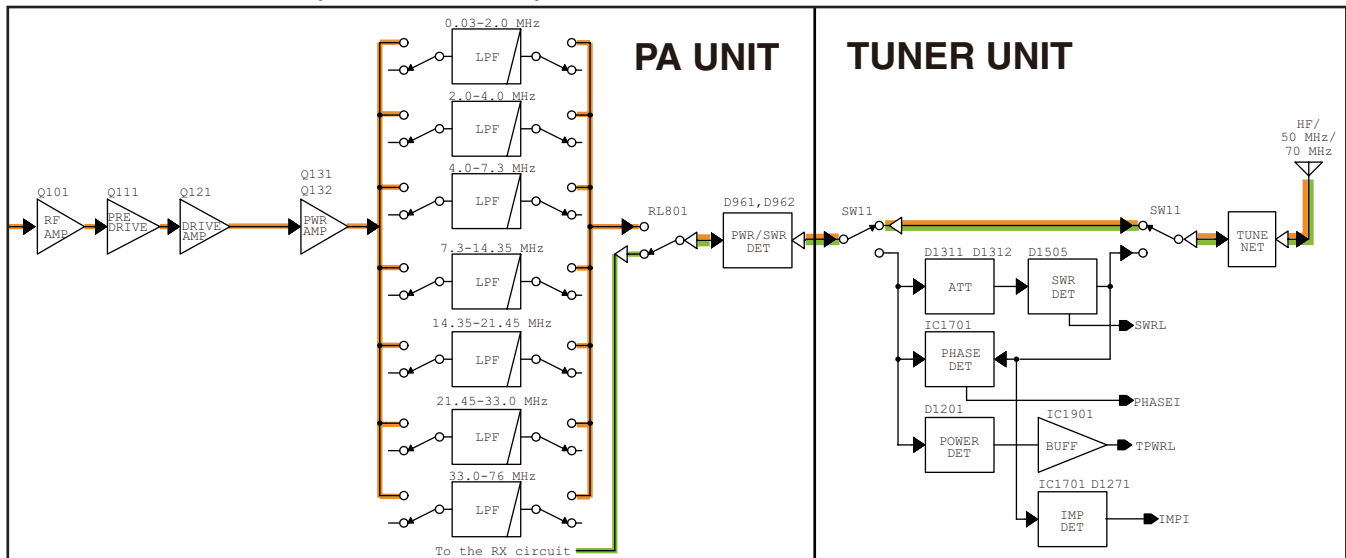
The transmit signal is passed through the SWR detection circuit, which is composed of the CM coupler and rectifier diodes (D961 and D962). The forward and reflect waves are detected, resulting in the forward wave and reflect wave sensing voltages. The sensing voltages are amplified by the buffer (IC1981), and then applied to the CPU in the MAIN UNIT for monitoring.

The amplified transmit signal is applied to the antenna, through the TUNER UNIT.

• PA AND TUNER UNITS (Receive circuits)



• PA AND TUNER UNITS (Transmit circuits)



3-2 RF UNIT

The RF UNIT is composed of the receive and transmit RF circuits.

The received signal from the PA UNIT is passed to the MAIN UNIT through the attenuator, filter, and preamp.

The transmit signal from the MAIN UNIT is passed to the PA UNIT through the filter, ALC circuit, and YGR AMP.

(1) RECEIVE SIGNAL PROCESSING

The received signal from the PA UNIT is passed through the RX mute switch (D1001), passes through or bypasses the attenuator (D1081 ~ D1083) according to the Attenuator function setting, and is then applied to the filter circuit. The attenuator (D1081 ~ D1083) is controlled to change the attenuation level to between 0 dB (bypass) and 20 dB.

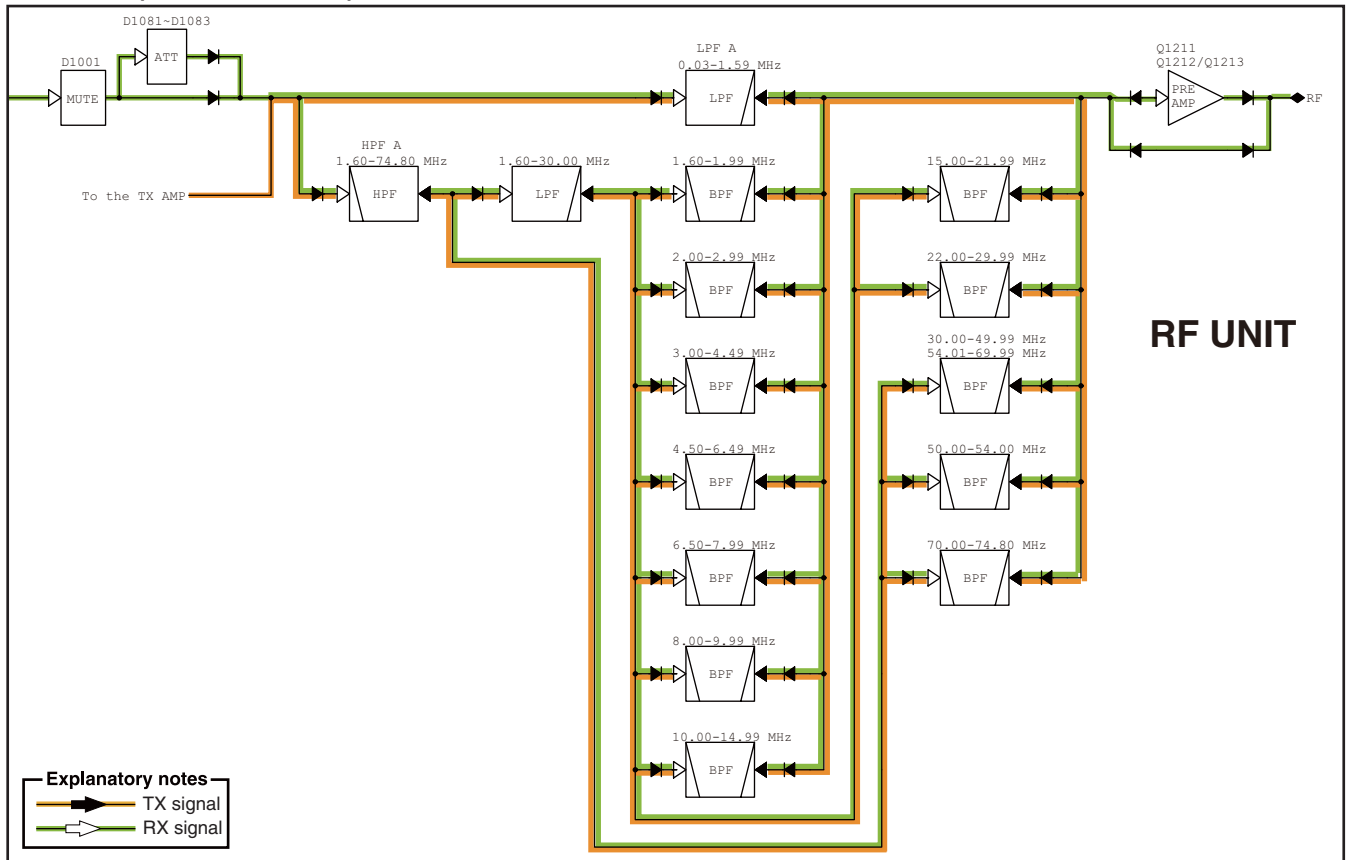
The filter circuit is composed of 15 filters. The received signal is passed through the filter that is selected according to the receive frequency.

The received signals of 1.6 MHz and below are passed through only "LPF (A)." The received signals of 1.6 MHz and above are passed through "HPF (A)," which is designed to prevent interference by strong MF band broadcast stations.

This HPF is designed to obtain more than 20 dB of isolation for 1.6 MHz and lower frequencies. The received signals of 1.6 MHz and above are also passed through one of the BPFs, according to the selected operating band.

The filtered signal is then applied to the preamp circuit. The received signal may be amplified by P.AMP1 (normal gain) or P.AMP2 (higher gain), or bypass both, according to the Pre-amp function setting. The received signal from the preamp circuit is then applied to the MAIN UNIT.

• RF UNIT (Receive circuits)



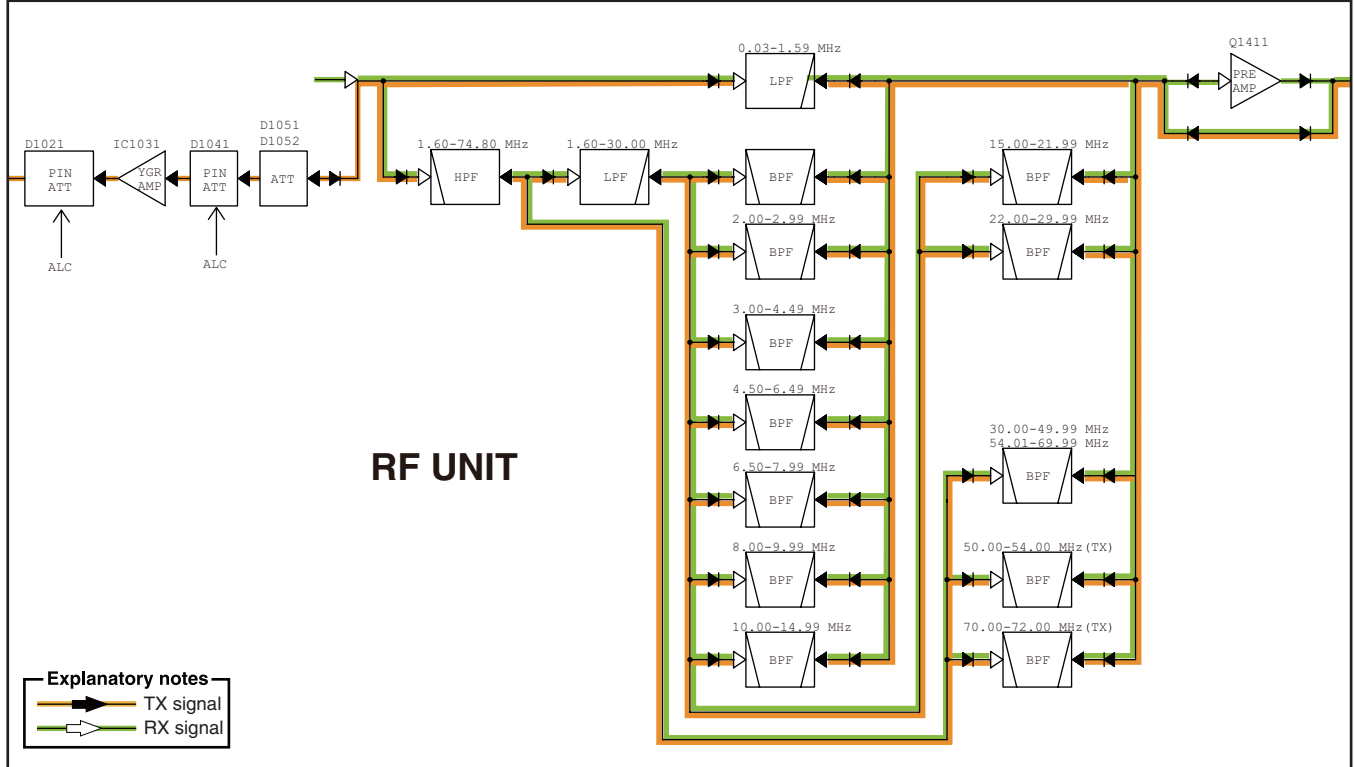
3-2 RF UNIT (continued)

(2) TRANSMIT SIGNAL PROCESSING

The transmit signal from the MAIN UNIT is passed through one of the BPFs in the filter circuit. The filtered signal level is adjusted by the gain controller (D1051 and D1052), which compensates the level difference in the band. The transmit signal is then amplified by the YGR AMP (IC1031) to obtain the input level needed in the transmit amplifier circuit.

The signal level is also adjusted by the ALC circuit (D1201 and D1041), which is located at the input and output of YGR AMP (IC1031). The ALC circuit automatically adjusts the transmit signal level according to the transmit power sensing voltage. The level-adjusted transmit signal is then applied to the PA UNIT.

• RF UNIT (Transmit circuits)



3-3 MAIN UNIT

The IC-7300 uses the Direct Conversion system, which directly converts the received signal into a digital signal by the A/D converter. The digital signal is then converted into the 36 kHz IF signal by the FPGA, before being processed by the DSP.

The transmit signal is processed and converted into the transmit IF signal by the DSP. The transmit IF signal is converted into an RF signal by the FPGA, and then converted into an analog transmit signal. Since the IF signal is directly processed as a digital signal in the FPGA, any analog heterodyne circuits, such as IF circuits, are not needed.

In a traditional transceiver, the received signal level (gain) was controlled by the DSP prior to the external AGC circuit.

But, this method will not work in the Direct Sampling system since the RF gain control cannot prevent over input to the A/D converter. This method has been replaced by adding an external AGC circuit, instead of using the DSP's internal AGC circuitry.

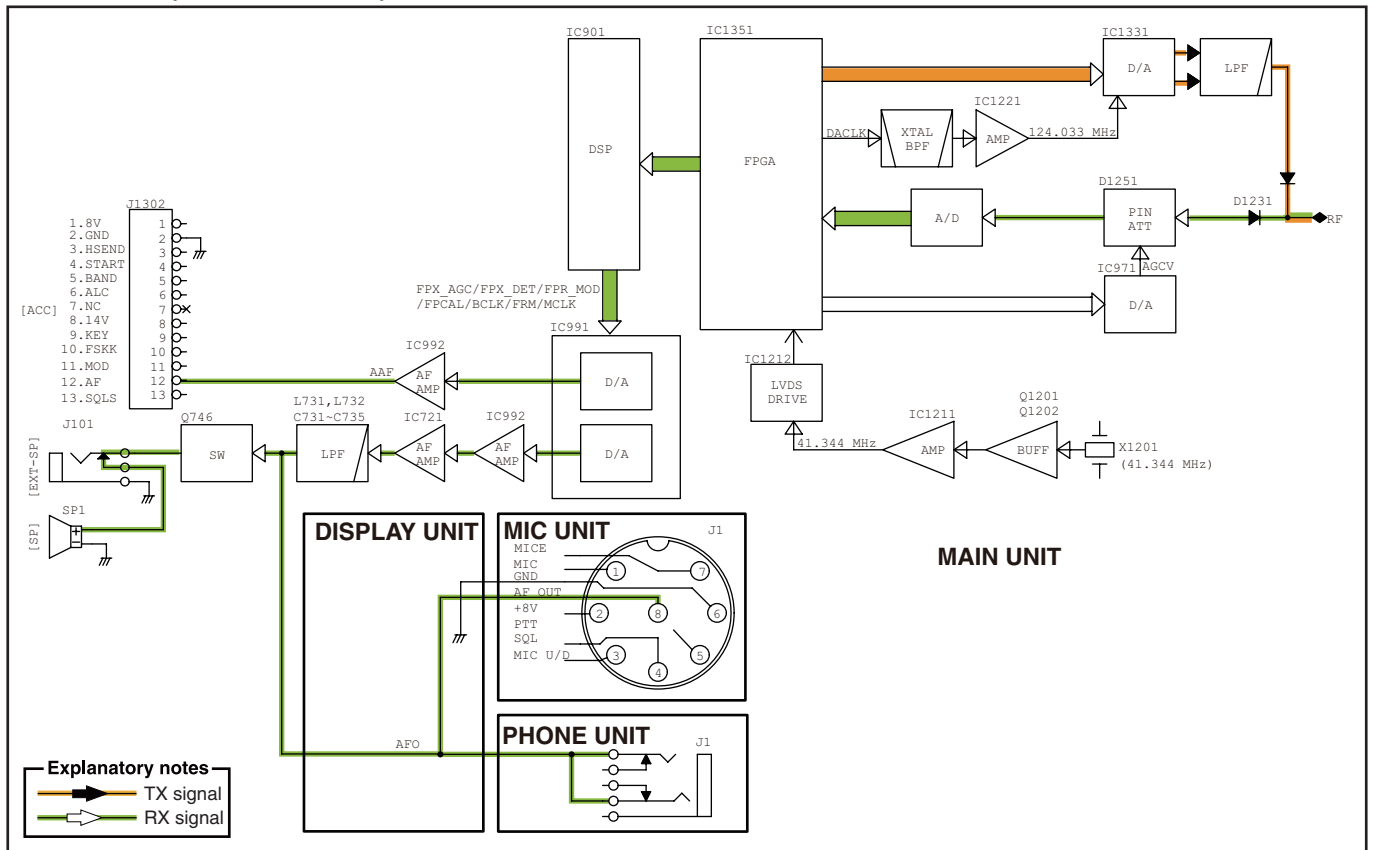
The level-adjusted received signal is applied to the A/D converter to be converted into a digital signal. The converted digital signal is applied to the FPGA (IC1351) where the received signal is converted into the 36 kHz IF signal.

(1) RECEIVE SIGNAL PROCESSING

• External attenuator and A/D conversion

The received signal from the RF UNIT is passed through the TX/RX switching diode (D1231) and applied to the external attenuator (PIN diode D1251). The attenuator is controlled by the AGC voltage from the D/A converter (IC971) to adjust the received signal level so that the signal amplitude is within the input dynamic range of the A/D converter.

• MAIN UNIT (Receive circuits)



3-3 MAIN UNIT (continued)

• FPGA

FPGA (Field-Programmable Gate Array) is a device that can digitally configure the virtual circuit in the chip.

The program that determines how it operates is written in the external EEPROM, and loaded when the transceiver power is turned ON. So the circuit can be reconfigured, even after the device is mounted on the PCB, by reprogramming it.

Using mathematical functions, the FPGA (IC1351) performs down conversion and filtering by controlling digital bits.

The received signal from the RF UNIT has been converted into a digital data stream by the A/D converter. The converted data is applied to the FPGA as a bit stream with the sampled signal spectrum, and then processed by manipulating the digital bits. The FPGA processes the signal mathematically to digitally obtain the oscillation and mixing (Image rejection mixer), as if the signal is processed in a hardware down conversion circuit.

The processed signal is applied to the DSP (IC901).

• Demodulator and D/A converter

The 36 kHz IF signal is digitally demodulated and processed by the DSP (IC901), whose design is based totally on that of the IC-7100. The internal AGC control, demodulation, noise reduction (NB, NR and Notch filter) and squelch functions are also the same as those of the IC-7100.

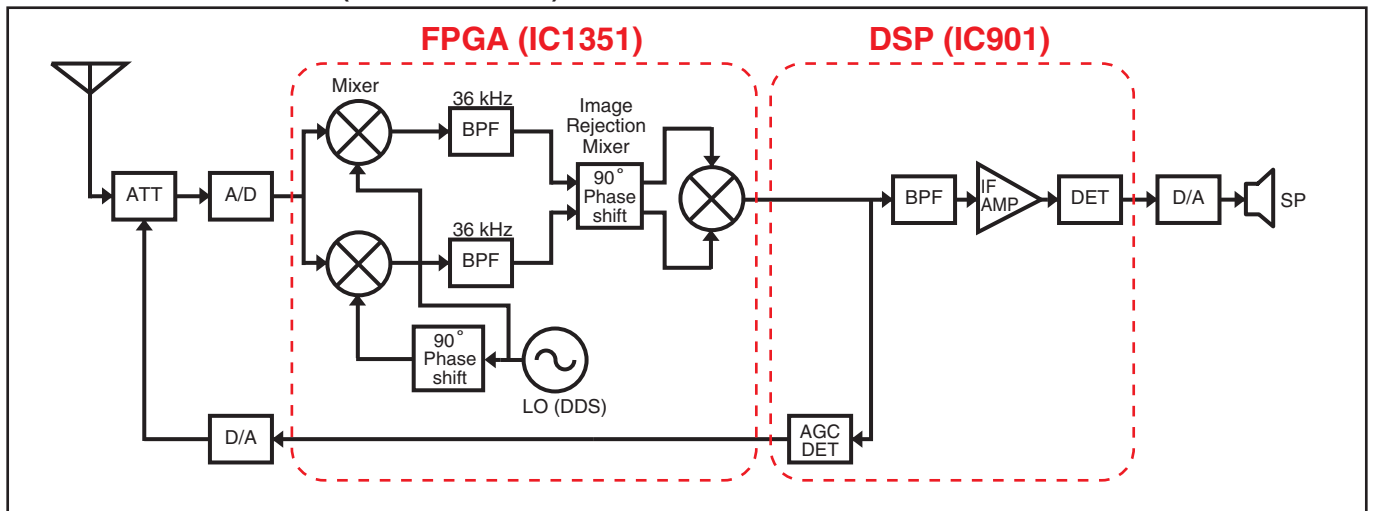
The demodulated and processed signal from the DSP (IC901) is applied to the D/A converter (IC991) to be converted into an analog AF signal. The AF signal is then applied to the AF circuit.

• AF circuit

The AF signal is amplified by the AF AMP (IC992), and then by the D-class AF power AMP (IC721) to obtain up to 2.5 watts (at 8 ohms, 1 kHz, 10% distortion) of output power. The amplified signal is applied to the speaker through the LPF (L731, L732 and C731 ~ C735), which attenuates unwanted frequency components, and to the speaker SW (Q746).

When an external speaker is connected to the [EXT-SP] jack, the audio output from the internal speaker (SP1) is disconnected.

• FPGA BLOCK DIAGRAM (Receive circuits)



(2) TRANSMIT SIGNAL PROCESSING

• MIC AMP and A/D converter

The audio signal from the [MIC] connector on the front panel is amplified by the MIC amplifier (IC1002), and then applied to the A/D converter (IC1001) to be converted into a digital signal. The audio signal from the [ACC] socket is applied to the A/D converter (IC1001), through the mute SW (IC1003) and LPF (IC1002), and is also converted into a digital signal. The converted digital signal is then applied to the DSP (IC901) for audio processing.

• Modulation and D/A converter

The signal is digitally modulated in the DSP (IC901), resulting in the 36 kHz transmit IF signal, and then applied to the FPGA (IC1351).

The audio signal from the microphone has been converted into a digital data stream by the A/D converter. The converted data is applied to the DSP (IC901), and digitally processed, resulting in a modulated 36 kHz transmit IF signal.

• FPGA

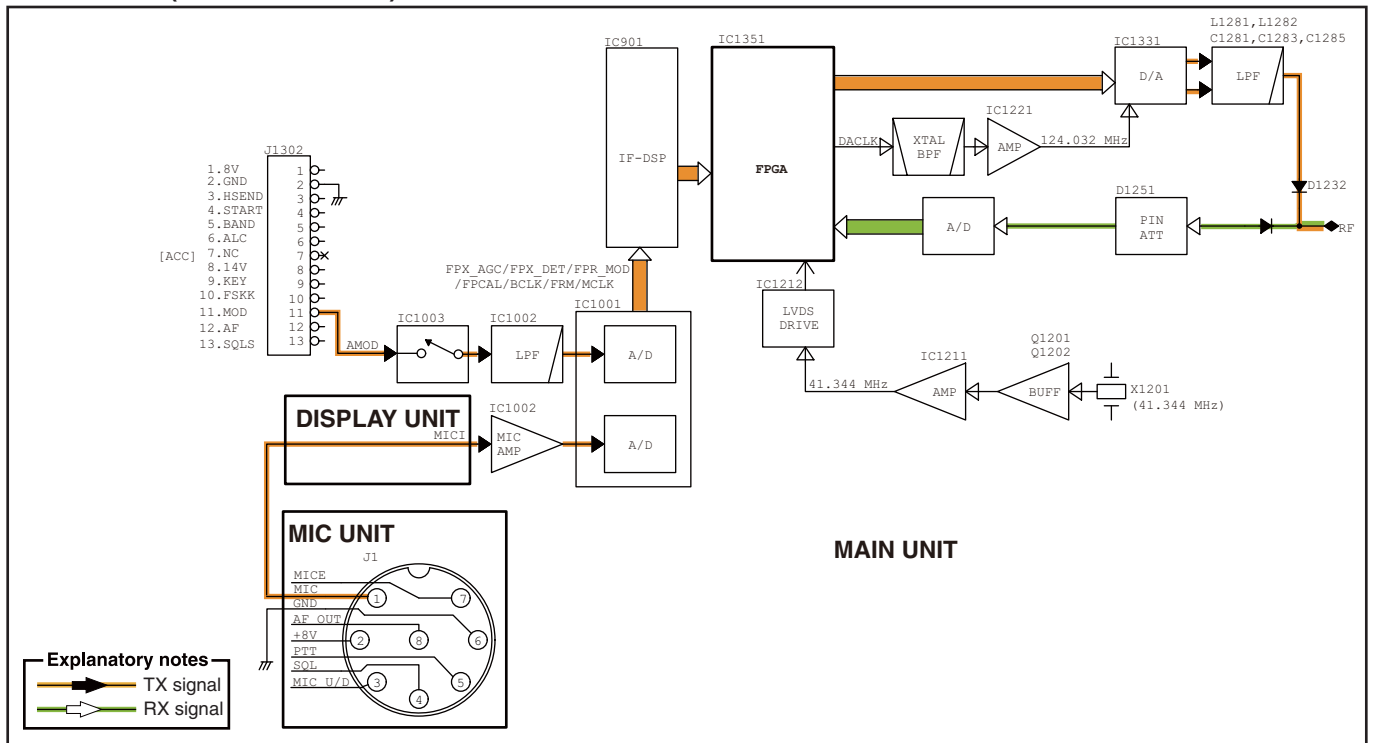
The transmit IF signal is applied to the FPGA (IC1351). The FPGA mathematically processes the signal to digitally obtain the oscillation (TX LO) and mixing (Image rejection mixer), as if the signal is processed in a hardware up conversion circuit.

The processed signal is applied to the D/A converter to be converted in to an analog RF transmit signal.

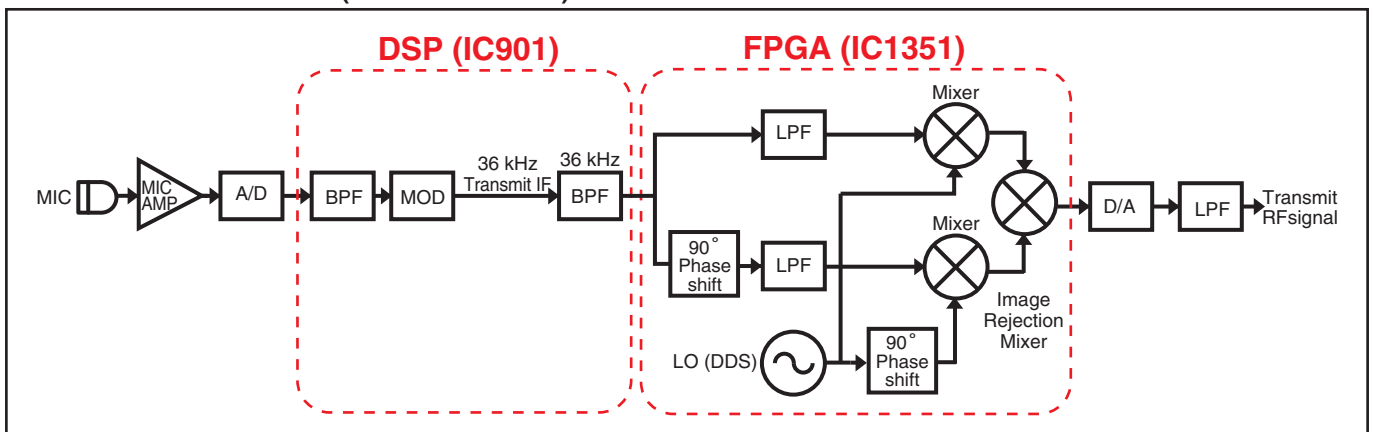
• RF signal processing

The transmit signal, that is processed and up-converted in the FPGA (IC1351), is applied to the D/A converter (IC1331) to be converted into an analog transmit signal. The transmit signal is passed through the LPF (L1281, L1282, C1281, C1283 and C1285), which attenuates unwanted frequency components in the transmit signal, and is then applied to the RF UNIT.

• MAIN UNIT (Transmit circuits)



• FPGA BLOCK DIAGRAM (Transmit circuits)



SECTION 4 ADJUSTMENT PROCEDURE

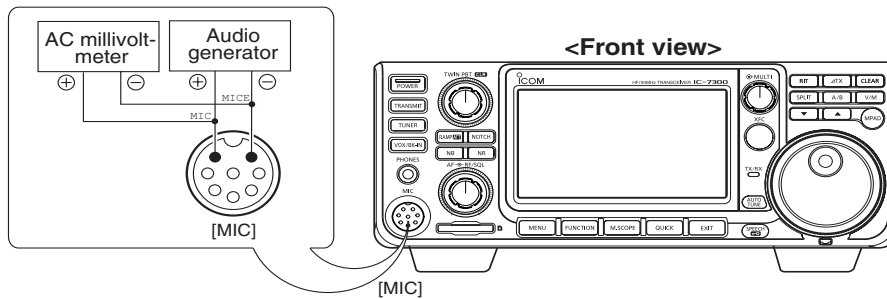
4-1 PREPARATION

■ REQUIRED EQUIPMENTS

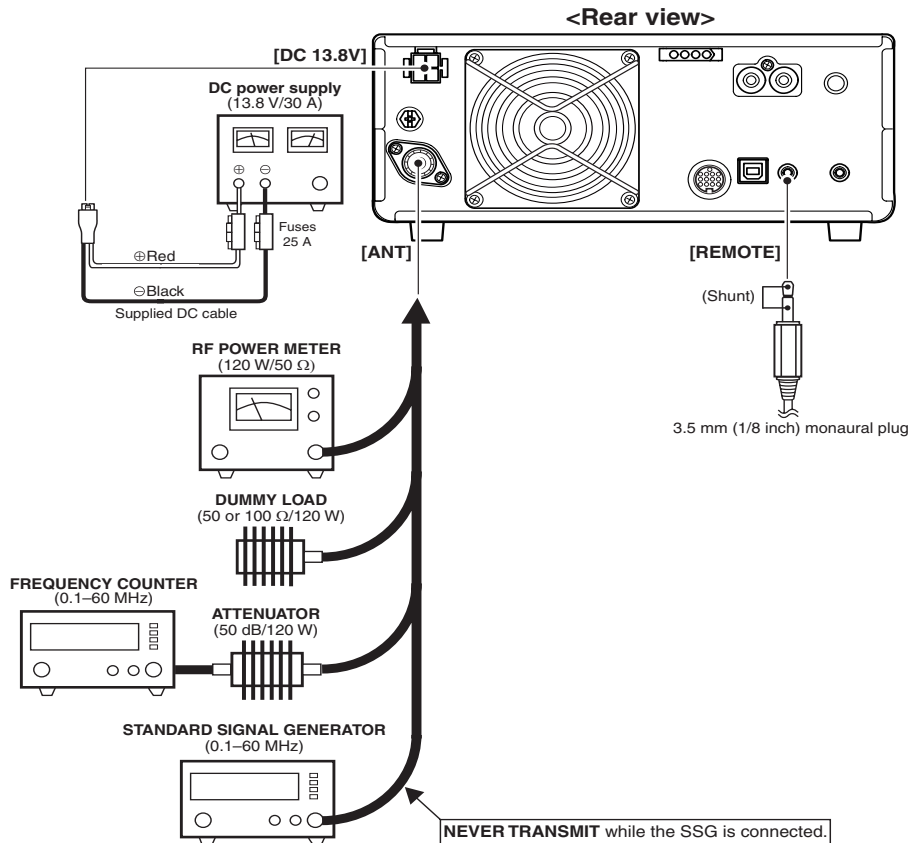
EQUIPMENT	GRADE AND RANGE	EQUIPMENT	GRADE AND RANGE
Shunt plug	Modified 3.5 mm (1/8 inch) monaural plug (See the illustration below.)	Dummy Loads	Impedance: 50 Ω and 100 Ω/120 W
		Attenuator	Attenuation: 50 dB/120 W
RF power meter (50 Ω terminated)	Measuring range: 1–120 W Frequency range: 0.1–60 MHz SWR: Less than 1.2 : 1	Standard signal generator (SSG)	Frequency range: 0.1–60 MHz Output level: -20 dBμ to +94 dBμ (-127 to -13 dBm)
Frequency counter	Frequency range: 0.1–60 MHz Frequency accuracy: ±1 ppm or better Input level: Less than 1 mW	Audio generator (AG)	Frequency range: 300–3000 Hz Output level: 1–500 mV
		AC Millivoltmeter	Measuring range: 10 mV to 10 V

■ GENERAL CONNECTION

• Front panel



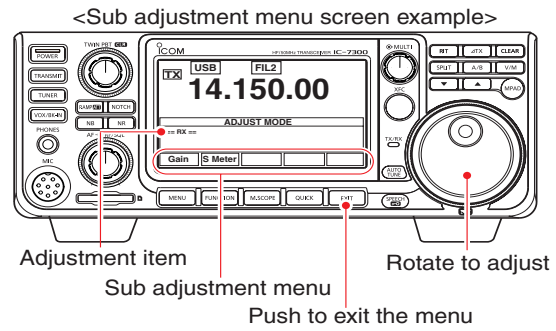
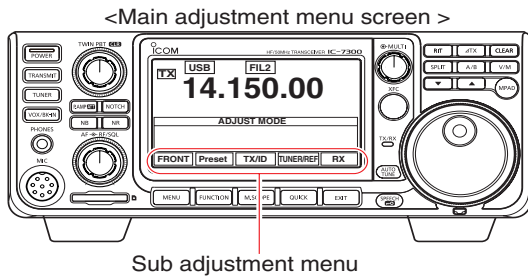
• Rear panel



4-1 PREPARATION (continued)

■ ENTERING THE ADJUSTMENT MODE

- 1) Connect the shunt plug to [REMOTE] (See page 5-1).
- 2) While holding down the [MENU] and [FUNCTION] keys, turn ON the transceiver power.
- 3) The main adjustment menu appears.



■ QUITTING THE ADJUSTMENT MODE

- 1) Remove the shunt plug from [REMOTE].
- 2) Turn OFF the power.
- 3) Turn ON the power again.

4-2 RECEIVE ADJUSTMENTS

- Touch [RX] on the main adjustment menu screen.

NOTE: DO NOT change the SSG output level until the second beep sounds.

ADJUSTMENT ITEM	TRANSCEIVER'S CONDITION	OPERATION	VALUE
PREPARATION	1	–	–
RX TOTAL GAIN	2	• Display: "Total Gain PRE OFF ref" • Receive	• Set the SSG as; Level : +34 dBμ (–73 dBm)
	3	• Display: "Total Gain PRE OFF set" • Receive	• Set the SSG as; Level : OFF
	4	• Display: "Total Gain PRE1 ref" • Receive	• Set the SSG as; Level : +34 dBμ (–73 dBm)
	5	• Display: "Total Gain PRE1 set" • Receive	• Set the SSG as; Level : OFF
S-METER	6	• Display: "HF S9 Level" • Receive	• Set the SSG as; Level : +34 dBμ (–73 dBm)
	7	• Display: "HF S9+60 Level" • Receive	• Set the SSG as; Level : +90 dBμ (–17 dBm)
			• Push [EXIT] to return to the main adjustment menu.

4-3 TX IDLING CURRENT ADJUSTMENTS

• Touch [TX/ID] on the main adjustment menu screen.

NOTE: The transceiver automatically transmits when a TX adjustment item is selected.

ADJUSTMENT ITEM	TRANSCIVER'S CONDITION	OPERATION	VALUE
PREPARATION	1	1) Connect the power meter (or dummy load) to the antenna connector. 2) Touch [ID] to enter to the TX idling current adjustment mode.	–
ADJUSTMENT	2	• Display: "VDL IDL Set" • Receive	Touch [SET]. (A beep sounds, and then another beep sounds 0.5 sec. later.)
	3	• Display: "FINAL ID SET" • Receive	
	4	• Display: "FINAL1 IDV" • Transmit (automatic)	
	5	• Display: "FINAL2 IDV" • Transmit (automatic)	
	6	• Display: "DRIVER ID SET" • Transmit (automatic)	
	7	• Display: "DRIVER IDV" • Transmit (automatic)	
	• Push [EXIT] to return to the TX adjustment menu.		

4-4 TX POWER ADJUSTMENTS

• Touch [TX/ID] on the main adjustment menu screen.

NOTE: The transceiver automatically transmits when a TX adjustment item is selected.

ADJUSTMENT ITEM	TRANSCEIVER'S CONDITION	OPERATION	ADJUST POINT	VALUE
TX POWER & POWER METER SETTING (Preparation)	1 • Display: "TX POWER SET" • Receive	1) Connect the AG with the millivoltmeter to [MIC], and then set it as; Frequency : 1.5 kHz Level : 30 mVrms 2) Connect the power meter to the antenna connector. 3) Touch [Power] to enter to the TX power adjustment mode.	–	–
(HF BAND)	2 • Display: "TX Total HF Gain" • Transmit (automatic)	• Adjust the TX power by rotating [MAIN DIAL], and then touch [SET].	[MAIN DIAL]	50 W (A beep sounds, and then another beeps sound 0.5 sec. later.)
	3 • Display: "POWER HF 1%" • Transmit (automatic)			2 W (A beep sounds, and then another beeps sound 0.5 sec. later.)
	4 • Display: "POWER HF 10%" • Transmit (automatic)			12.5 W (A beep sounds, and then another beeps sound 0.5 sec. later.)
	5 • Display: "POWER HF TUNE" • Transmit (automatic)			52.5 W (A beep sounds, and then another beeps sound 0.5 sec. later.)
	6 • Display: "POWER HF 50%" • Transmit (automatic)			105 W (A beep sounds, and then another beeps sound 0.5 sec. later.)
	7 • Display: "POWER HF 100%" • Transmit (automatic)			25 W (A beep sounds, and then another beeps sound 0.5 sec. later.)
	8 • Display: "POWER AM Ratio HF" • Transmit (automatic)			1) Touch [SET]. (Automatically starts to transmit.) 2) Adjust the TX power by rotating [MAIN DIAL], and then touch [SET].
TX POWER & POWER METER SETTING (50 MHz band)	9 • Display: "POWER 50M SET" • Transmit (automatic)	–	–	Touch [SET].
	10 • Display: "TX Total 50M Gain" • Transmit (automatic)	• Adjust the TX power by rotating [MAIN DIAL], and then touch [SET].	[MAIN DIAL]	50 W (A beep sounds, and then another beeps sound 0.5 sec. later.)
	11 • Display: "POWER 50M 1%" • Transmit (automatic)			2 W (A beep sounds, and then another beeps sound 0.5 sec. later.)
	12 • Display: "POWER 50M 10%" • Transmit (automatic)			12.5 W (A beep sounds, and then another beeps sound 0.5 sec. later.)
	13 • Display: "POWER 50M TUNE" • Transmit (automatic)			52.5 W (A beep sounds, and then another beeps sound 0.5 sec. later.)
	14 • Display: "POWER 50M 50%" • Transmit (automatic)			105 W (A beep sounds, and then another beeps sound 0.5 sec. later.)
15 • Display: "POWER 50M 100%" • Transmit (automatic)	25 W (A beep sounds, and then another beeps sound 0.5 sec. later.)			
AM CARRIER POWER RATIO (50 MHz band)	16 • Display: "POWER AM Ratio 50M" • Transmit (automatic)	1) Touch [SET]. (Automatically starts to transmit.) 2) Adjust the TX power by rotating [MAIN DIAL], and then touch [SET].	–	Touch [SET].
	17 • Display: "POWER 70M SET" • Receive	–	–	Touch [SET].

(Continued on the next page.)

4-4 TX POWER ADJUSTMENTS (continued)

ADJUSTMENT ITEM	TRANSCIVER'S CONDITION	OPERATION	ADJUST POINT	VALUE
TX POWER & POWER METER SETTING (70 MHz band)	18 • Display: "TX Total 70M Gain" • Transmit (automatic)	-	[MAIN DIAL]	25 W (A beep sounds, and then another beeps sound 0.5 sec. later.)
	19 • Display: "POWER 70M 1%" • Transmit (automatic)			2 W (A beep sounds, and then another beeps sound 0.5 sec. later.)
	20 • Display: "POWER 70M 10%" • Transmit (automatic)			7.5 W (A beep sounds, and then another beeps sound 0.5 sec. later.)
	21 • Display: "POWER 70M TUNE" • Transmit (automatic)			10 W (A beep sounds, and then another beeps sound 0.5 sec. later.)
	22 • Display: "POWER 70M 50%" • Transmit (automatic)			27.5 W (A beep sounds, and then another beeps sound 0.5 sec. later.)
	23 • Display: "POWER 70M 100%" • Transmit (automatic)			52.5 W (A beep sounds, and then another beeps sound 0.5 sec. later.)
AM CARRIER POWER (70 MHz band) Only for [#03, 05 and 06]	24 • Display: "POWER AM Ratio 70M" • Transmit (automatic)	1) Touch [SET]. (Automatically starts to transmit.) 2) Adjust the TX power by rotating [MAIN DIAL], and then touch [SET].		12.5 W (A beep sounds, and then another beeps sound 0.5 sec. later.)
• Push [EXIT] to return to the main adjustment menu.				

4-5 TX AMPLIFIER ADJUSTMENTS

• Touch [TX/ID] on the main adjustment menu screen.

NOTE: The transceiver automatically transmits when a TX adjustment item is selected.

ADJUSTMENT ITEM	TRANSCIVER'S CONDITION	OPERATION	VALUE	
PREPARATION	1 • Display: "TX POWER SET" • Receive	1) Connect the AG with the millivoltmeter to [MIC], and then set it as; Frequency : 1.5 kHz Level : 30 mVrms 2) Connect the power meter to the antenna connector. 3) Touch [ALC] on the TX adjustment menu, to enter to the TX amplifier adjustment mode.	-	
ALC METER	2 • Display: "ALC HF" • Transmit (automatic)		Touch [SET]. (A beep sounds, and then another beeps sound 3 sec. later.)	
	3 • Display: "ALC 50M" • Transmit (automatic)			
Only for [#03, 05 and 06]	4 • Display: "ALC 70M" • Transmit (automatic)			
DRIVE AMP GAIN	5 • Display: "DRIVE HF" • Transmit (automatic)		Touch [SET]. (A beep sounds, and then another beeps sound 10 sec. later.)	
	6 • Display: "DRIVE 50M" • Transmit (automatic)			
	7 • Display: "DRIVE 70M" • Transmit (automatic)			
SWR METER	8 • Display: "SWR2 (HF)" • Transmit (automatic)	• Connect the 50 Ω dummy load to the antenna connector.	Touch [SET]. (A beep sounds, and then another beeps sound 3 sec. later.)	
	9 • Display: "SWR2 (50M)" • Transmit (automatic)			
Only for [#03, 05 and 06]	10 • Display: "SWR2 (70M)" • Transmit (automatic)			
ID APC	11 • Display: "ID-APC" • Transmit (automatic)	-	Touch [SET]. (A beep sounds, and then another beeps sound 2 sec. later.)	
	• Push [EXIT] to return to the main adjustment menu.			

4-6 FREQUENCY ADJUSTMENTS

• Touch [TUNER/REF] on the main adjustment menu screen.

NOTE: The transceiver automatically transmits when a TX adjustment item is selected.

ADJUSTMENT ITEM		TRANSCEIVER'S CONDITION	OPERATION	VALUE
PREPARATION	1	–	1) Connect the power meter to the antenna connector. 2) Touch [TUNER/REF]. (Enters to the [TUNER/REF ADJ.] menu.) 3) Touch [TUNER].	Touch [TUNER/REF]. (Enters to the [TUNER/REF ADJ.] menu.)
TUNER REFERENCE VOLTAGE ADJUSTMENT (HF and 50 MHz bands)	2	• Display: "Tune IREFV HF 50M" • Transmit (automatic)	–	Touch [SET]. (A beep sounds, and then another beeps sound 11 sec. later.)
(70 MHz band) Only for [#03, 05 and 06]	3	• Display: "Tune IREFV HF 70M" • Transmit (automatic)		Touch [SET]. (A beep sounds, and then another beeps sound 1 sec. later.)
REFERENCE FREQUENCY	4	–	1) Connect the frequency counter to the antenna connector, through the 50 dB attenuator. 2) Touch [MENU] REF adjustment menu.	–
	5	• Display: "REF OSC" • Transmit (automatic)	1) Set the transmit frequency by rotating [MAIN DIAL]. 2) Touch [SET].	50.100000 MHz (±1.2 Hz) (A beep sounds, and then another beeps sound 0.5 sec. later.)
		• Push [EXIT] to return to the main adjustment menu.		

SECTION 5

PARTS LIST

[MAIN UNIT]

REF NO.	PARTS NO.	DESCRIPTION	M.	H/V LOCATION
IC125	1110008550	S.IC NJM2904CRB1-TE1-#HMZR	T	28.5/70.4
IC135	1110008550	S.IC NJM2904CRB1-TE1-#HMZR	T	34.3/73.7
IC141	1130010550	S.IC SN74AHC595PWR	T	58.5/53.2
IC151	1110008550	S.IC NJM2904CRB1-TE1-#HMZR	T	27.0/77.1
IC201	6910022360	S.DC TPS62110RSAR	T	24.9/57.2
IC211	1180004830	S.REG XC6222A331MR-G	T	30.0/45.3
IC216	1180004830	S.REG XC6222A331MR-G	T	31.6/40.4
IC221	6910024090	S.DC ADP2370ACPZ-R7 <FE>	T	34.7/51.5
IC231	1180004390	S.REG TLV70025DCKR	T	64.2/92.1
IC241	1180004230	S.REG XC6222A321MR-G	T	67.1/4.5
IC251	6910022360	S.DC TPS62110RSAR	T	16.4/57.2
IC261	6910022360	S.DC TPS62110RSAR	T	9.6/44.7
IC271	1180003500	S.REG NJM7808DL1A-TE1-#FZZB	T	6.6/15.1
IC276	1180003500	S.REG NJM7808DL1A-TE1-#FZZB	T	17.8/9.5
IC301	1140017540	S.IC R7S721000VCFP	T	83.0/30.0
IC351	1130016621	S.IC GT24C128B-2ZLI-TR <MSK>	T	109.5/23.5
IC361	1110007780	S.IC NJU7704F3-28A-TE1-#ZZZH	T	96.5/10.0
IC371	1110007780	S.IC NJU7704F3-28A-TE1-#ZZZH	T	57.3/31.5
IC381	1130018410	S.IC RX-8803LC UB	T	105.1/11.0
IC391	1130018450	S.IC EN25Q64-104HIP <MSK>	T	106.7/43.6
IC611	1180004490	S.REG XC6209F332MR-G	T	51.4/172.5
IC621	1190002911	S.IC TUSB2046BIVFRG4	T	58.0/164.5
IC641	1190002730	S.IC CP2102-GMR <MAC>	T	43.1/161.7
IC661	1190002240	S.IC PCM2901E/2K	T	55.5/151.0
IC662	1130012260	S.IC SN74AHC1G32DCKR	T	51.5/157.4
IC681	1130007021	S.IC TC7566FU(TE85LF)	T	39.6/150.7
IC691	1130009581	S.IC TC7W66FU(TE12LF)	T	15.3/158.5
IC701	1130018160	S.IC 74VHC04FT(BE)	T	19.5/173.5
IC721	1190003450	S.IC MP77411DQ-LF-P<TKC>	T	92.6/159.7
IC791	1110008550	S.IC NJM2904CRB1-TE1-#HMZR	T	25.5/176.5
IC901	1140015962	S.IC TMS320C6745DPTPA3	T	87.6/72.5
IC902	1130018080	S.IC EN25QH32A-104HIP <MSK>	T	110.8/84.7
IC961	1180004430	S.REG XC6209F502MR-G	T	38.0/160.5
IC971	1110008060	S.IC PCM1754DBQR	T	34.5/139.0
IC972	1110008550	S.IC NJM2904CRB1-TE1-#HMZR	T	33.5/155.0
IC991	1110008060	S.IC PCM1754DBQR	T	51.5/134.9
IC992	1110006570	S.IC TS462CPT	T	45.0/144.5
IC1001	1190004280	S.IC PCM1802BQR	T	62.1/138.5
IC1002	1110006570	S.IC TS462CPT	T	71.3/142.8
IC1003	1130009981	S.IC TC7W53FK(TE85LF)	T	72.9/133.7
IC1211	1130012610	S.IC SN74AHC1GU04DCKR	T	50.3/93.6
IC1212	1130017950	S.IC SN65LVD1DBVR	T	50.3/97.8
IC1221	1130011930	S.IC SN74LVC1G04DCKR	T	69.1/130.8
IC1241	1180004430	S.REG XC6209F502MR-G	T	95.6/118.6
IC1261	-	S.IC RF ADC	T	102.2/112.1
IC1301	-	S.IC RF ADC	T	86.9/106.8
IC1315	1130017950	S.IC SN65LVD1DBVR	T	76.7/130.4
IC1318	1180002020	S.REG BA033FP-E2	T	102.6/101.8
IC1321	1180004490	S.REG XC6209F332MR-G	T	88.2/129.1
IC1325	1180004490	S.REG XC6209F332MR-G	T	70.2/86.9
IC1331	1190004300	S.IC ISL5857IAZ <MAC>	T	72.9/123.6
IC1351	1130016150	S.IC EP4CE55F2317N <ALT>	T	50.0/113.0
IC1401	1130018130	S.IC 23LC1024T-I/SN <SEI>	T	31.9/126.7
Q45	1530004210	S.TRA DSC7004S0L	T	15.1/74.3
Q111	1550000260	S.FET RZR040P01TL	T	73.5/7.5
Q112	1590004690	S.TRA LDTC143ZET1G <SLVJ>	T	67.0/7.5
Q641	1590004690	S.TRA LDTC143ZET1G <SLVJ>	T	44.6/168.0
Q642	1590004690	S.TRA LDTC143ZET1G <SLVJ>	T	42.3/167.3
Q643	1590004690	S.TRA LDTC143ZET1G <SLVJ>	T	56.7/172.7
Q644	1590004310	S.TRA LDTC143ZET1G <SLVJ>	T	45.2/155.2
Q645	1590004310	S.TRA LDTC143ZET1G <SLVJ>	T	41.0/155.2
Q661	1590004690	S.TRA LDTC143ZET1G <SLVJ>	T	54.3/158.2
Q691	1530004140	S.TRA L2SC4081RT1G <SLVJ>	T	23.0/159.3
Q692	1510001200	S.TRA L2SA1576ART1G <SLVJ>	T	20.5/167.1
Q711	1530004140	S.TRA L2SC4081RT1G <SLVJ>	T	20.5/159.3
Q712	1510001200	S.TRA L2SA1576ART1G <SLVJ>	T	20.3/167.1
Q746	1550000240	S.FET TPCF8107(TE85LF)	T	105.5/171.8
Q747	1560001730	S.FET RUE002N02 TL	T	102.0/167.9
Q801	1590004310	S.TRA LDTC143ZET1G <SLVJ>	T	29.1/159.7
Q802	1530004140	S.TRA L2SC4081RT1G <SLVJ>	T	27.1/156.5
Q803	1530004210	S.TRA DSC7004S0L	T	29.0/166.5
Q821	1530004140	S.TRA L2SC4081RT1G <SLVJ>	T	24.5/183.0
Q831	1590004690	S.TRA LDTC143ZET1G <SLVJ>	T	24.5/186.4
Q851	1590004310	S.TRA LDTC143ZET1G <SLVJ>	T	15.6/164.5
Q852	1590004690	S.TRA LDTC143ZET1G <SLVJ>	T	18.1/164.5
Q971	1530004140	S.TRA L2SC4081RT1G <SLVJ>	T	33.1/161.3
Q972	1530004140	S.TRA L2SC4081RT1G <SLVJ>	T	30.6/151.0
Q1001	1590004690	S.TRA LDTC143ZET1G <SLVJ>	T	41.5/136.9
Q1201	1530004340	S.TRA 2SC3356L-B-AE3-R <SLVJ>	T	79.0/85.0
Q1202	1510001200	S.TRA L2SA1576ART1G <SLVJ>	T	53.0/85.0
Q1231	1590004690	S.TRA LDTC143ZET1G <SLVJ>	T	96.5/122.5
Q1232	1590004310	S.TRA LDTC143ZET1G <SLVJ>	T	96.1/124.8
Q1234	1590004690	S.TRA LDTC143ZET1G <SLVJ>	T	94.2/122.5
Q1235	1590004310	S.TRA LDTC143ZET1G <SLVJ>	T	92.1/124.8
D151	1750001810	S.DIO L1SS400T1G <SLVJ>	T	23.6/75.8
D152	1750001810	S.DIO L1SS400T1G <SLVJ>	T	29.4/74.8
D241	1750002110	S.DIO LRB551V-30T1G <SLVJ>	T	64.7/7.5
D381	1750001810	S.DIO L1SS400T1G <SLVJ>	T	100.5/8.9
D401	1750001810	S.DIO L1SS400T1G <SLVJ>	T	107.2/28.6
D402	1750001810	S.DIO L1SS400T1G <SLVJ>	T	109.7/28.6
D403	1750001810	S.DIO L1SS400T1G <SLVJ>	T	112.2/28.6
D404	1750001810	S.DIO L1SS400T1G <SLVJ>	T	107.2/29.8
D405	1750001810	S.DIO L1SS400T1G <SLVJ>	T	109.7/29.8

[MAIN UNIT]

REF NO.	PARTS NO.	DESCRIPTION	M.	H/V LOCATION
D407	1750001810	S.DIO L1SS400T1G <SLVJ>	T	107.2/31.0
	1750001810	S.DIO L1SS400T1G <SLVJ>	[#06]	
	1750001810	S.DIO L1SS400T1G <SLVJ>	[#07]	
	1750001810	S.DIO L1SS400T1G <SLVJ>	[#08]	
D408	1750001810	S.DIO L1SS400T1G <SLVJ>	T	109.7/31.0
D410	1750001810	S.DIO L1SS400T1G <SLVJ>	T	107.2/32.2
	1750001810	S.DIO L1SS400T1G <SLVJ>	[#03]	
	1750001810	S.DIO L1SS400T1G <SLVJ>	[#07]	
	1750001810	S.DIO L1SS400T1G <SLVJ>	[#08]	
D411	1750001810	S.DIO L1SS400T1G <SLVJ>	T	109.7/32.2
D413	1750001810	S.DIO L1SS400T1G <SLVJ>	T	107.2/33.4
	1750001810	S.DIO L1SS400T1G <SLVJ>	[#06]	
	1750001810	S.DIO L1SS400T1G <SLVJ>	[#08]	
	1750001810	S.DIO L1SS400T1G <SLVJ>	[#12]	
D414	1750001810	S.DIO L1SS400T1G <SLVJ>	T	109.7/33.4
D416	1750001810	S.DIO L1SS400T1G <SLVJ>	T	107.2/34.6
D417	1750001810	S.DIO L1SS400T1G <SLVJ>	T	109.7/34.6
	1750001810	S.DIO L1SS400T1G <SLVJ>	[#03]	
	1750001810	S.DIO L1SS400T1G <SLVJ>	[#05]	
	1750001810	S.DIO L1SS400T1G <SLVJ>	[#06]	
D419	1750001810	S.DIO L1SS400T1G <SLVJ>	T	107.2/35.8
D420	1750001810	S.DIO L1SS400T1G <SLVJ> Only	[#01]	T 109.7/35.8
D422	1750001810	S.DIO L1SS400T1G <SLVJ>	T	107.2/37.0
D423	1750001810	S.DIO L1SS400T1G <SLVJ> Only	[#01]	T 109.7/37.0
D431	1750001820	S.DIO LRB706F-40T1G <SLVJ>	T	63.7/47.6
D432	1750001820	S.DIO LRB706F-40T1G <SLVJ>	T	66.3/47.6
D451	1750001820	S.DIO LRB706F-40T1G <SLVJ>	T	51.0/30.6
D452	1750001820	S.DIO LRB706F-40T1G <SLVJ>	T	45.5/30.6
D453	1750001820	S.DIO LRB706F-40T1G <SLVJ>	T	58.3/30.6
D454	1750001820	S.DIO LRB706F-40T1G <SLVJ>	T	46.0/30.6
D455	1750001820	S.DIO LRB706F-40T1G <SLVJ>	T	53.3/35.7
D456	1750001820	S.DIO LRB706F-40T1G <SLVJ>	T	50.8/35.7
D457	1750001820	S.DIO LRB706F-40T1G <SLVJ>	T	48.3/35.7
D458	1750001820	S.DIO LRB706F-40T1G <SLVJ>	T	45.8/35.7
D621	1750001820	S.DIO LRB706F-40T1G <SLVJ>	T	66.4/172.7
D622	1750001820	S.DIO LRB706F-40T1G <SLVJ>	T	62.1/172.7
D691	1750001810	S.DIO L1SS400T1G <SLVJ>	T	21.1/162.2
D711	1750001810	S.DIO L1SS400T1G <SLVJ>	T	22.4/162.2
D721	1750002130	S.ZEN DZ2J062MOL	T	93.7/154.8
D722	1750001810	S.DIO L1SS400T1G <SLVJ>	T	90.6/154.8
D801	1750001810	S.DIO L1SS400T1G <SLVJ>	T	27.1/162.5
D821	1750001810	S.DIO L1SS400T1G <SLVJ>	T	29.4/183.0
D841	1750001820	S.DIO LRB706F-40T1G <SLVJ>	T	15.5/178.2
D851	1750001820	S.DIO LRB706F-40T1G <SLVJ>	T	15.5/168.5
D1231	1790001622	S.DIO 1SV308L3F(T	T	107.7/123.7
D1232	1790001622	S.DIO 1SV308L3F(T	T	104.9/129.4
D1251	1750003070	S.DIO BAP70Q <RYO>	T	105.6/118.7
FI1221	2010002660	S.XTA DSF334SAF 124.032 MHz (FL-391)	T	63.6/128.2
X301	6050014170	S.XTA CR-1017 S3225A 48.000 MHz <YOK>	T	60.6/24.4
X621	6050014180	S.XTA CR-1019 S7050A 6.000 MHz <YOK>	T	67.4/163.7
X661	6050014190	S.XTA CR-1020 S3225A 12.000 MHz <YOK>	T	54.9/141.8
X901	6050014200	S.XTA CR-1021 S3225A 12.288 MHz <YOK>	T	107.2/66.4
X1201	6050013360	S.XTA CR-932 XTCHH 41.344 MHz	T	50.0/78.2
L221	6200014470	S.COI LQH44PN100MPOL	T	35.2/45.0
L222	6190002110	S.COI 7E03LA-2R7N-RB-0231	T	33.4/55.5
L251	6180003501	S.COI SLF6028T-100M1R3-PF	T	16.1/51.2
L252	6200014470	S.COI LQH44PN100MPOL	T	14.1/41.6
L261	6200014470	S.COI LQH44PN100MPOL	T	5.1/42.4
L262	6180003501	S.COI SLF6028T-100M1R3-PF	T	9.1/50.8
L263	6200014470	S.COI LQH44PN100MPOL	T	9.1/56.8
L721	6200014460	S.COI SLF12555T-680M1R3-PF	T	80.0/156.5
L731	6200014430	S.COI YC12575T*330MS <VKH>	T	95.5/145.8
L732	6200014430	S.COI YC12575T*330MS <VKH>	T	104.9/159.0
L1231	6200016010	S.COI NLFV25T-101K-PF	T	101.1/123.4
L1232	6200016010	S.COI NLFV25T-101K-PF	T	104.7/121.9
L1233	6200016010	S.COI NLFV25T-101K-PF	T	101.8/127.7
L1251	6200016010	S.COI NLFV25T-101K-PF	T	110.7/122.1
L1252	6200016010	S.COI NLFV25T-101K-PF	T	110.7/119.6
L1253	6200016010	S.COI NLFV25T-101K-PF	T	110.7/117.1
L1261	6140004680	S.COI LR-528 4KBL	T	109.2/111.1
L1281	6200011680	S.COI LQW18ANR12G00D	T	97.2/129.4
L1282	6200011680	S.COI LQW18ANR12G00D	T	95.2/128.7
L1331	6140005470	S.COI LR-592 4KBL-S130709	T	86.5/122.7
R4	7030004980	S.RES ERJ2GEJ 101 X (100)	T	22.3/90.7
R10	7030004980	S.RES ERJ2GEJ 101 X (100)	T	22.3/96.1
R12	7030004980	S.RES ERJ2GEJ 101 X (100)	T	22.3/97.9
R13	7030004980	S.RES ERJ2GEJ 101 X (100)	T	22.3/98.8
R15	7030004980	S.RES ERJ2GEJ 101 X (100)	T	21.7/100.6
R16	7030009530	S.RES ERJ2GEJ 270 X (27)	T	21.7/101.5
R17	7030009530	S.RES ERJ2GEJ 270 X (27)	T	21.7/102.4
R18	7030009530	S.RES ERJ2GEJ 270 X (27)	T	21.7/103.3
R24	7030004980	S.RES ERJ2GEJ 101 X (100)	T	23.6/127.6
R25	7030			

[MAIN UNIT]

REF NO.	PARTS NO.	DESCRIPTION	M.	H/V LOCATION
R31	7030004980	S.RES ERJ2GEJ 101 X (100)	T	22.8/121.3
R40	7030004980	S.RES ERJ2GEJ 101 X (100)	T	35.0/78.4
R41	7030004980	S.RES ERJ2GEJ 101 X (100)	T	34.4/80.0
R45	7030005000	S.RES ERJ2GEJ 471 X (470)	T	15.8/77.3
R53	7030004980	S.RES ERJ2GEJ 101 X (100)	T	13.3/31.4
R54	7030004980	S.RES ERJ2GEJ 101 X (100)	T	13.3/30.5
R55	7030004980	S.RES ERJ2GEJ 101 X (100)	T	13.3/29.6
R56	7030004980	S.RES ERJ2GEJ 101 X (100)	T	13.3/28.7
R57	7030004980	S.RES ERJ2GEJ 101 X (100)	T	13.3/27.8
R64	7030004980	S.RES ERJ2GEJ 101 X (100)	T	14.3/19.1
R71	7030004980	S.RES ERJ2GEJ 101 X (100)	T	25.8/13.0
R72	7030004980	S.RES ERJ2GEJ 101 X (100)	T	26.3/7.0
R73	7030004980	S.RES ERJ2GEJ 101 X (100)	T	26.8/13.0
R74	7030004980	S.RES ERJ2GEJ 101 X (100)	T	27.3/7.0
R75	7030009530	S.RES ERJ2GEJ 270 X (27)	T	28.3/16.3
R78	7030004980	S.RES ERJ2GEJ 101 X (100)	T	29.3/6.3
R79	7030010040	S.RES ERJ2GEJ-JPW	T	29.9/16.3
R80	7030009530	S.RES ERJ2GEJ 270 X (27)	T	30.4/3.9
R81	7030009530	S.RES ERJ2GEJ 270 X (27)	T	31.1/16.3
R82	7030009530	S.RES ERJ2GEJ 270 X (27)	T	31.6/3.9
R83	7030009530	S.RES ERJ2GEJ 270 X (27)	T	32.3/16.3
R84	7030009530	S.RES ERJ2GEJ 270 X (27)	T	32.8/3.9
R85	7030009530	S.RES ERJ2GEJ 270 X (27)	T	33.5/16.3
R86	7030009530	S.RES ERJ2GEJ 270 X (27)	T	34.0/3.9
R87	7030009530	S.RES ERJ2GEJ 270 X (27)	T	34.7/16.3
R88	7030009530	S.RES ERJ2GEJ 270 X (27)	T	35.2/3.9
R89	7030009530	S.RES ERJ2GEJ 270 X (27)	T	35.9/16.3
R90	7030009530	S.RES ERJ2GEJ 270 X (27)	T	36.4/3.9
R91	7030009530	S.RES ERJ2GEJ 270 X (27)	T	37.1/16.3
R92	7030009530	S.RES ERJ2GEJ 270 X (27)	T	37.6/3.9
R93	7030009530	S.RES ERJ2GEJ 270 X (27)	T	38.3/16.3
R94	7030009530	S.RES ERJ2GEJ 270 X (27)	T	38.8/3.9
R95	7030009530	S.RES ERJ2GEJ 270 X (27)	T	39.5/16.3
R101	7030004980	S.RES ERJ2GEJ 101 X (100)	T	80.1/4.3
R102	7030004980	S.RES ERJ2GEJ 101 X (100)	T	80.2/10.1
R103	7030009530	S.RES ERJ2GEJ 270 X (27)	T	81.1/4.3
R104	7030009530	S.RES ERJ2GEJ 270 X (27)	T	82.0/10.1
R105	7030009530	S.RES ERJ2GEJ 270 X (27)	T	83.7/10.1
R107	7030009530	S.RES ERJ2GEJ 270 X (27)	T	84.1/4.3
R108	7030009530	S.RES ERJ2GEJ 270 X (27)	T	87.1/8.5
R109	7030009530	S.RES ERJ2GEJ 270 X (27)	T	85.1/4.3
R110	7410001340	S.ARR EXB28V473JX	T	76.5/7.5
R111	7410001340	S.ARR EXB28V473JX	T	90.8/10.1
R112	7030005240	S.RES ERJ2GEJ 473 X (47K)	T	69.8/7.5
R113	7030005120	S.RES ERJ2GEJ 102 X (1K)	T	68.8/7.5
R121	7410001230	S.ARR EXB28V101JX	T	52.7/66.5
R122	7410001230	S.ARR EXB28V101JX	T	52.6/63.4
R123	7410001230	S.ARR EXB28V101JX	T	52.6/60.9
R125	7030004980	S.RES ERJ2GEJ 101 X (100)	T	26.1/68.6
R127	7030004980	S.RES ERJ2GEJ 101 X (100)	T	30.8/68.3
R131	7030006610	S.RES ERJ2GEJ 394 X (390K)	T	25.4/70.1
R132	7030005090	S.RES ERJ2GEJ 104 X (100K)	T	24.5/71.0
R133	7030005090	S.RES ERJ2GEJ 104 X (100K)	T	25.4/71.8
R134	7030004980	S.RES ERJ2GEJ 101 X (100)	T	24.2/69.6
R135	7030004980	S.RES ERJ2GEJ 101 X (100)	T	36.5/74.4
R136	7030004980	S.RES ERJ2GEJ 101 X (100)	T	31.9/72.9
R137	7030005090	S.RES ERJ2GEJ 104 X (100K)	T	35.1/70.6
R138	7030004980	S.RES ERJ2GEJ 101 X (100)	T	31.8/74.1
R139	7030005090	S.RES ERJ2GEJ 104 X (100K)	T	36.5/75.8
R151	7030004980	S.RES ERJ2GEJ 101 X (100)	T	24.7/73.5
R152	7030005240	S.RES ERJ2GEJ 473 X (47K)	T	31.1/76.3
R153	7030005040	S.RES ERJ2GEJ 472 X (47K)	T	31.1/77.9
R154	7030007340	S.RES ERJ2GEJ 153 X (15K)	T	30.2/77.9
R155	7030005120	S.RES ERJ2GEJ 102 X (1K)	T	23.1/77.8
R156	7030005050	S.RES ERJ2GEJ 103 X (10K)	T	23.6/79.9
R157	7030008290	S.RES ERJ2GEJ 183 X (18K)	T	23.1/78.7
R158	7030005090	S.RES ERJ2GEJ 104 X (100K)	T	30.2/76.3
R159	7030004980	S.RES ERJ2GEJ 101 X (100)	T	22.5/74.6
R160	7030004980	S.RES ERJ2GEJ 101 X (100)	T	27.3/74.8
R202	7030010040	S.RES ERJ2GEJ-JPW	T	27.1/60.5
R203	7030005050	S.RES ERJ2GEJ 103 X (10K)	T	26.2/60.5
R204	7030010080	S.RES ERJ2RHD 1003X (100K)	T	23.5/44.7
R205	7030013680	S.RES ERJ2RHD 3902X (39K)	T	23.5/46.3
R221	7030010040	S.RES ERJ2GEJ-JPW	T	36.5/49.3
R223	7030005050	S.RES ERJ2GEJ 103 X (10K)	T	34.6/48.4
R225	7030005681	S.RES ERA3YKD 473V (47K)	T	34.7/58.0
R226	7030010080	S.RES ERJ2RHD 1003X (100K)	T	36.7/57.2
R241	7030005050	S.RES ERJ2GEJ 103 X (10K)	T	63.7/4.5
R242	7030005050	S.RES ERJ2GEJ 103 X (10K)	T	63.3/7.6
R243	7030005000	S.RES ERJ2GEJ 471 X (470)	T	62.3/7.6
R251	7030010040	S.RES ERJ2GEJ-JPW	T	17.1/60.4
R253	7030012260	S.RES ERJ2RDK 4703X (470K)	T	14.0/44.6
R254	7030013680	S.RES ERJ2RHD 3902X (39K)	T	14.0/46.4
R255	7030010080	S.RES ERJ2RHD 1003X (100K)	T	14.0/47.3
R262	7030010040	S.RES ERJ2GEJ-JPW	T	7.9/41.5
R263	7030007051	S.RES ERA3YKD 513V (51K)	T	12.5/59.3
R264	7030010040	S.RES ERJ2GEJ-JPW	T	12.1/57.3
R265	7030014250	S.RES ERJ2RKF5603X (560K)	T	12.1/56.4
R271	7030014120	S.RES LTR50UZPJ6R8	T	2.6/32.2
R276	7030013960	S.RES LTR50UZPJ100	T	22.3/17.9
R302	7030005050	S.RES ERJ2GEJ 103 X (10K)	T	101.0/22.5
R303	7030005050	S.RES ERJ2GEJ 103 X (10K)	T	101.0/40.0
R304	7030005050	S.RES ERJ2GEJ 103 X (10K)	T	90.0/46.5
R305	7030005240	S.RES ERJ2GEJ 473 X (47K)	T	84.5/49.2
R308	7030005240	S.RES ERJ2GEJ 473 X (47K)	T	82.0/49.2
R309	7030005240	S.RES ERJ2GEJ 473 X (47K)	T	80.8/49.3
R310	7030005240	S.RES ERJ2GEJ 473 X (47K)	T	80.8/48.4
R311	7030005050	S.RES ERJ2GEJ 103 X (10K)	T	70.4/12.0
R312	7030005050	S.RES ERJ2GEJ 103 X (10K)	T	64.0/21.9
R313	7030005050	S.RES ERJ2GEJ 103 X (10K)	T	65.9/24.6
R314	7030009290	S.RES ERJ2GEJ 562 X (5.6K)	T	65.9/28.2
R315	7030005050	S.RES ERJ2GEJ 103 X (10K)	T	65.7/37.4
R317	7030005000	S.RES ERJ2GEJ 471 X (470)	T	62.6/23.5
R351	7030005040	S.RES ERJ2GEJ 472 X (4.7K)	T	104.0/23.5
R352	7030005040	S.RES ERJ2GEJ 472 X (4.7K)	T	105.0/23.5

Eqv.= This component is equivalent to the REF No. component listed above, and may be substituted on parts orders and repairs.

[MAIN UNIT]

REF NO.	PARTS NO.	DESCRIPTION	M.	H/V LOCATION
R361	7030005240	S.RES ERJ2GEJ 473 X (47K)	T	96.6/12.3
R362	7030005720	S.RES ERJ2GEJ 563 X (56K)	T	92.7/10.0
R363	7030005220	S.RES ERJ2GEJ 223 X (22K)	T	93.7/10.0
R371	7030005050	S.RES ERJ2GEJ 103 X (10K)	T	55.3/31.1
R372	7030005070	S.RES ERJ2GEJ 683 X (68K)	T	57.5/28.7
R373	7030009290	S.RES ERJ2GEJ 562 X (5.6K)	T	55.7/29.7
R382	7030007300	S.RES ERJ2GEJ 332 X (3.3K)	T	100.1/7.6
R383	7030005040	S.RES ERJ2GEJ 472 X (4.7K)	T	100.1/9.9
R384	7030005040	S.RES ERJ2GEJ 472 X (4.7K)	T	100.1/10.8
R385	7030005240	S.RES ERJ2GEJ 473 X (4.7K)	T	100.1/11.7
R391	7410001340	S.ARR EXB28V473JX	T	108.8/39.3
R392	7410001340	S.ARR EXB28V473JX	T	100.6/43.9
R401	7410001340	S.ARR EXB28V473JX	T	107.2/26.5
R431	7030005120	S.RES ERJ2GEJ 102 X (1K)	T	64.1/50.5
R432	7030005120	S.RES ERJ2GEJ 102 X (1K)	T	68.0/49.0
R433	7030005240	S.RES ERJ2GEJ 473 X (47K)	T	65.8/49.6
R434	7030005240	S.RES ERJ2GEJ 473 X (47K)	T	65.1/49.6
R435	7030005240	S.RES ERJ2GEJ 473 X (47K)	T	90.1/50.2
R437	7030005240	S.RES ERJ2GEJ 473 X (47K)	T	91.0/50.2
R438	7030005240	S.RES ERJ2GEJ 473 X (47K)	T	99.3/42.0
R439	7030005240	S.RES ERJ2GEJ 473 X (47K)	T	101.0/21.5
R441	7410001220	S.ARR EXB28V103JX	T	86.6/49.3
R442	7030005240	S.RES ERJ2GEJ 473 X (47K)	T	65.9/52.9
R451	7410001130	S.ARR EXB28V102JX	T	54.8/40.0
R452	7410001340	S.ARR EXB28V473JX	T	54.8/43.7
R453	7410001130	S.ARR EXB28V102JX	T	52.3/40.0
R454	7410001130	S.ARR EXB28V102JX	T	52.3/43.7
R455	7030013140	S.RES ERJ2RKF 1001X (1K)	T	50.5/41.9
R456	7030012490	S.RES ERJ2RKF 4701X (4.7K)	T	55.5/40.1
R491	7410001220	S.ARR EXB28V103JX	T	104.6/16.3
R492	7030005090	S.RES ERJ2GEJ 104 X (100K)	T	104.6/14.5
R493	7030005050	S.RES ERJ2GEJ 103 X (10K)	T	112.4/16.7
R501	7410001140	S.ARR EXB28V104JX	T	78.7/51.7
R502	7030005240	S.RES ERJ2GEJ 473 X (47K)	T	67.5/52.9
R503	7410001140	S.ARR EXB28V104JX	T	74.8/51.4
R504	7030005240	S.RES ERJ2GEJ 473 X (47K)	T	84.5/51.4
R505	7410001140	S.ARR EXB28V104JX	T	72.7/51.4
R506	7030005240	S.RES ERJ2GEJ 473 X (47K)	T	98.2/44.0
R507	7410001140	S.ARR EXB28V104JX	T	91.2/52.1
R508	7410001140	S.ARR EXB28V104JX	T	98.7/51.9
R511	7030007250	S.RES ERJ2GEJ 220 X (22)	T	95.4/52.5
R512	7030007250	S.RES ERJ2GEJ 220 X (22)	T	96.3/52.5
R601	7030005120	S.RES ERJ2GEJ 102 X (1K)	T	58.5/173.5
R621	7030009530	S.RES ERJ2GEJ 270 X (27)	T	64.3/172.7
R622	7030009530	S.RES ERJ2GEJ 270 X (27)	T	60.0/172.7
R623	7030005090	S.RES ERJ2GEJ 104 X (100K)	T	58.5/172.5
R624	7030005030	S.RES ERJ2GEJ 152 X (1.5K)	T	64.7/170.9
R625	7030005030	S.RES ERJ2GEJ 152 X (1.5K)	T	64.1/163.6
R626	7030005160	S.RES ERJ2GEJ 105 X (1M)	T	64.1/165.4
R627	7030007340	S.RES ERJ2GEJ 153 X (15K)	T	50.1/166.0
R628	7030007340	S.RES ERJ2GEJ 153 X (15K)	T	50.1/164.0
R629	7030009530	S.RES ERJ2GEJ 270 X (27)	T	51.5/165.5
R630	7030009530	S.RES ERJ2GEJ 270 X (27)	T	51.5/164.5
R631	7030009530	S.RES ERJ2GEJ 270 X (27)	T	59.0/158.0
R632	7030007340	S.RES ERJ2GEJ 153 X (15K)	T	58.5/156.6
R633	7030009530	S.RES ERJ2GEJ 270 X (27)	T	60.0/158.0
R634	7030007340	S.RES ERJ2GEJ 153 X (15K)	T	60.4/156.6
R635	7030005030	S.RES ERJ2GEJ 152 X (1.5K)	T	54.3/156.6
R641	7030005050	S.RES ERJ2GEJ 103 X (10K)	T	44.6/166.2
R642	7030005040	S.RES ERJ2GEJ 472 X (4.7K)	T	44.6/165.2
R643	7030005050	S.RES ERJ2GEJ 103 X (10K)	T	41.0/158.2
R644	7030005050	S.RES ERJ2GEJ 103 X (10K)	T	45.2/158.2
R645	7030005240	S.RES ERJ2GEJ 473 X (47K)	T	55.1/172.3
R646	7030005240	S.RES ERJ2GEJ 473 X (47K)	T	40.7/167.3
R647	7030007250	S.RES ERJ2GEJ 220 X (22)	T	43.6/154.3
R648	7030007250	S.RES ERJ2GEJ 220 X (22)	T	42.6/154.3
R649	7030005240	S.RES ERJ2GEJ 473 X (47K)	T	45.2/153.4
R650	7030005240	S.RES ERJ2GEJ 473 X (47K)	T	42.6/152.5
R651	7030005090	S.RES ERJ2GEJ 104 X (100K)	T	42.6/156.1
R652	7030005090	S.RES ERJ2GEJ 104 X (100K)	T	43.6/156.1
R653	7030007250	S.RES ERJ2GEJ 220 X (22)	T	45.2/157.0
R654	7030007250	S.RES ERJ2GEJ 220 X (22)	T	41.0/157.0
R661	7030005160	S.RES ERJ2GEJ 105 X (1M)	T	49.7/160.3
R662	7030005120	S.RES ERJ2GEJ 102 X (1K)	T	54.0/143.9
R663	7030005160	S.RES ERJ2GEJ 105 X (1M)	T	54.0/144.9
R664	7030005050	S.RES ERJ2GEJ 103 X (10K)	T	49.7/159.3
R681	7030005050	S.RES ERJ2GEJ 103 X (10K)	T	39.6/147.4
R682				

[MAIN UNIT]

REF NO.	PARTS NO.	DESCRIPTION	M.	H/V LOCATION
R730	7030005050	S.RES ERJ2GEJ 103 X (10K)	T	92.9/163.7
R731	7030005530	S.RES ERJ2GEJ 100 X (10)	T	96.2/155.8
R732	7030005530	S.RES ERJ2GEJ 100 X (10)	T	97.3/161.3
R733	7030007290	S.RES ERJ2GEJ 222 X (2.2K)	T	111.5/168.2
R746	7030005110	S.RES ERJ2GEJ 224 X (220K)	T	105.5/168.4
R747	7030005110	S.RES ERJ2GEJ 224 X (220K)	T	103.9/168.4
R748	7030005050	S.RES ERJ2GEJ 103 X (10K)	T	99.2/168.1
R749	7030005120	S.RES ERJ2GEJ 102 X (1K)	T	104.7/174.0
R750	7030005240	S.RES ERJ2GEJ 473 X (47K)	T	102.8/169.3
R751	7030007280	S.RES ERJ2GEJ 331 X (330)	T	104.7/176.0
R761	7030005120	S.RES ERJ2GEJ 102 X (1K)	T	90.9/173.6
R790	7030010080	S.RES ERJ2RHD 1003X (100K)	T	22.9/179.7
R791	7030004980	S.RES ERJ2GEJ 101 X (100)	T	27.1/174.3
R792	7030010080	S.RES ERJ2RHD 1003X (100K)	T	21.7/180.2
R793	7030005080	S.RES ERJ2GEJ 823 X (82K)	T	22.4/178.7
R794	7030012270	S.RES ERJ2RHD 1203X (120K)	T	24.5/179.7
R795	7030004980	S.RES ERJ2GEJ 101 X (100)	T	24.5/178.7
R796	7030005090	S.RES ERJ2GEJ 104 X (100K)	T	29.4/175.0
R797	7030005090	S.RES ERJ2GEJ 104 X (100K)	T	29.4/176.0
R798	7030005090	S.RES ERJ2GEJ 104 X (100K)	T	29.4/177.0
R799	7030005000	S.RES ERJ2GEJ 471 X (470)	T	29.4/178.0
R801	7030007270	S.RES ERJ2GEJ 151 X (150)	T	29.1/161.5
R802	7030005040	S.RES ERJ2GEJ 472 X (4.7K)	T	29.1/155.6
R803	7030007340	S.RES ERJ2GEJ 153 X (15K)	T	27.1/158.6
R804	7030005050	S.RES ERJ2GEJ 103 X (10K)	T	29.1/162.5
R805	7030005060	S.RES ERJ2GEJ 333 X (33K)	T	27.1/159.6
R806	7030005040	S.RES ERJ2GEJ 472 X (4.7K)	T	27.1/160.6
R811	7030009140	S.RES ERJ2GEJ 272 X (2.7K)	T	37.6/154.4
R812	7030005040	S.RES ERJ2GEJ 472 X (4.7K)	T	38.5/155.3
R821	7030005040	S.RES ERJ2GEJ 472 X (4.7K)	T	24.5/181.0
R822	7030007340	S.RES ERJ2GEJ 153 X (15K)	T	22.4/183.0
R823	7030005060	S.RES ERJ2GEJ 333 X (33K)	T	24.5/184.8
R824	7030005040	S.RES ERJ2GEJ 472 X (4.7K)	T	27.0/184.0
R831	7030005050	S.RES ERJ2GEJ 103 X (10K)	T	29.4/186.0
R841	7030005240	S.RES ERJ2GEJ 473 X (47K)	T	19.8/179.2
R842	7030005240	S.RES ERJ2GEJ 473 X (47K)	T	18.0/178.2
R843	7030005120	S.RES ERJ2GEJ 102 X (1K)	T	19.8/178.2
R851	7030005240	S.RES ERJ2GEJ 473 X (47K)	T	15.5/176.4
R852	7030005160	S.RES ERJ2GEJ 105 X (1M)	T	16.2/171.0
R853	7030005120	S.RES ERJ2GEJ 102 X (1K)	T	10.0/166.2
R901	7030005160	S.RES ERJ2GEJ 105 X (1M)	T	184.2/67.0
R902	7030005120	S.RES ERJ2GEJ 102 X (1K)	T	102.8/68.3
R905	7030007250	S.RES ERJ2GEJ 220 X (22)	T	104.7/76.0
R906	7030007250	S.RES ERJ2GEJ 220 X (22)	T	104.8/76.9
R907	7030007250	S.RES ERJ2GEJ 220 X (22)	T	104.8/78.2
R908	7030007250	S.RES ERJ2GEJ 220 X (22)	T	102.8/82.4
R909	7030007250	S.RES ERJ2GEJ 220 X (22)	T	102.8/83.3
R910	7030005040	S.RES ERJ2GEJ 472 X (4.7K)	T	105.1/67.0
R912	7030005040	S.RES ERJ2GEJ 472 X (4.7K)	T	99.0/88.4
R913	7030008290	S.RES ERJ2GEJ 183 X (18K)	T	93.5/87.7
R914	7030005040	S.RES ERJ2GEJ 472 X (4.7K)	T	99.0/87.4
R915	7030005040	S.RES ERJ2GEJ 472 X (4.7K)	T	90.4/89.6
R916	7030008290	S.RES ERJ2GEJ 183 X (18K)	T	90.5/87.7
R917	7030005040	S.RES ERJ2GEJ 472 X (4.7K)	T	92.4/87.7
R921	7410001240	S.ARR EXB28V220JX	T	97.2/90.1
R922	7410001230	S.ARR EXB28V101JX	T	95.1/55.0
R923	7030007250	S.RES ERJ2GEJ 220 X (22)	T	91.7/90.1
R924	7410001230	S.ARR EXB28V101JX	T	91.2/55.3
R925	7410001230	S.ARR EXB28V101JX	T	88.7/55.3
R926	7030005240	S.RES ERJ2GEJ 473 X (47K)	T	108.6/91.5
R927	7410001240	S.ARR EXB28V220JX	T	110.4/91.6
R928	7410001230	S.ARR EXB28V101JX	T	81.1/55.4
R929	7030007250	S.RES ERJ2GEJ 220 X (22)	T	110.2/78.9
R930	7030007250	S.RES ERJ2GEJ 220 X (22)	T	108.9/78.9
R932	7030005120	S.RES ERJ2GEJ 102 X (1K)	T	94.4/89.5
R933	7030008290	S.RES ERJ2GEJ 183 X (18K)	T	88.1/88.2
R935	7030005120	S.RES ERJ2GEJ 102 X (1K)	T	89.6/87.7
R971	7410001240	S.ARR EXB28V220JX	T	38.8/137.3
R972	7030005090	S.RES ERJ2GEJ 104 X (100K)	T	35.3/158.5
R973	7030005090	S.RES ERJ2GEJ 104 X (100K)	T	35.7/155.0
R974	7030005090	S.RES ERJ2GEJ 104 X (100K)	T	34.1/150.5
R975	7030005090	S.RES ERJ2GEJ 104 X (100K)	T	33.6/149.1
R976	7030004980	S.RES ERJ2GEJ 101 X (100)	T	32.0/159.0
R977	7030004980	S.RES ERJ2GEJ 101 X (100)	T	31.1/152.8
R978	7030013680	S.RES ERJ2RHD 3902X (39K)	T	33.5/158.5
R979	7030005090	S.RES ERJ2GEJ 104 X (100K)	T	32.7/151.0
R980	7030005050	S.RES ERJ2GEJ 103 X (10K)	T	33.5/159.4
R981	7030005050	S.RES ERJ2GEJ 103 X (10K)	T	30.6/149.2
R982	7030004980	S.RES ERJ2GEJ 101 X (100)	T	31.3/157.4
R991	7410001240	S.ARR EXB28V220JX	T	55.5/134.8
R992	7030004980	S.RES ERJ2GEJ 101 X (100)	T	40.5/143.4
R993	7030009270	S.RES ERJ2GEJ 821 X (820)	T	44.1/138.7
R994	7030008410	S.RES ERJ2GEJ 392 X (3.9K)	T	48.6/139.2
R995	7030005040	S.RES ERJ2GEJ 472 X (4.7K)	T	43.9/141.0
R996	7030008010	S.RES ERJ2GEJ 123 X (12K)	T	46.2/141.1
R997	7030005210	S.RES ERJ2GEJ 822 X (8.2K)	T	42.3/141.0
R998	7030008410	S.RES ERJ2GEJ 392 X (3.9K)	T	48.0/141.1
R999	7030004980	S.RES ERJ2GEJ 101 X (100)	T	41.7/142.2
R1000	7030004980	S.RES ERJ2GEJ 101 X (100)	T	48.0/142.1
R1001	7410001240	S.ARR EXB28V220JX	T	57.0/137.3
R1002	7030007250	S.RES ERJ2GEJ 220 X (22)	T	57.0/139.1
R1003	7030004980	S.RES ERJ2GEJ 101 X (100)	T	68.4/144.8
R1004	7030005240	S.RES ERJ2GEJ 473 X (47K)	T	67.0/137.2
R1005	7030008290	S.RES ERJ2GEJ 183 X (18K)	T	74.1/139.6
R1006	7030008290	S.RES ERJ2GEJ 183 X (18K)	T	74.1/140.5
R1007	7030005040	S.RES ERJ2GEJ 472 X (4.7K)	T	67.7/147.6
R1008	7030008010	S.RES ERJ2GEJ 123 X (12K)	T	68.4/138.2
R1009	7030007570	S.RES ERJ2GEJ 122 X (1.2K)	T	68.7/147.6
R1010	7030005050	S.RES ERJ2GEJ 103 X (10K)	T	74.1/138.7
R1011	7030007340	S.RES ERJ2GEJ 153 X (15K)	T	70.2/138.2
R1012	7030005070	S.RES ERJ2GEJ 683 X (68K)	T	70.7/147.6
R1013	7030005050	S.RES ERJ2GEJ 103 X (10K)	T	69.7/136.7
R1015	7030005040	S.RES ERJ2GEJ 472 X (4.7K)	T	71.7/147.6
R1016	7030005240	S.RES ERJ2GEJ 473 X (47K)	T	73.2/136.5
R1017	7030005240	S.RES ERJ2GEJ 473 X (47K)	T	75.4/136.2

Eqv.= This component is equivalent to the REF No. component listed above, and may be substituted on parts orders and repairs.

[MAIN UNIT]

REF NO.	PARTS NO.	DESCRIPTION	M.	H/V LOCATION
R1018	7030005240	S.RES ERJ2GEJ 473 X (47K)	T	76.4/136.2
R1019	7030008290	S.RES ERJ2GEJ 183 X (18K)	T	74.4/136.2
R1020	7030010040	S.RES ERJ2GEJ-JPW	T	77.4/136.2
R1021	7030005120	S.RES ERJ2GEJ 102 X (1K)	T	71.7/148.9
R1022	7030004990	S.RES ERJ2GEJ 221 X (220)	T	62.0/152.8
R1201	7030005060	S.RES ERJ2GEJ 333 X (33K)	T	51.6/75.3
R1202	7030005720	S.RES ERJ2GEJ 563 X (56K)	T	51.6/76.2
R1203	7030005070	S.RES ERJ2GEJ 683 X (68K)	T	50.4/75.8
R1204	7030007340	S.RES ERJ2GEJ 153 X (15K)	T	46.8/85.0
R1205	7030008290	S.RES ERJ2GEJ 183 X (18K)	T	49.0/82.8
R1206	7030005000	S.RES ERJ2GEJ 471 X (470)	T	50.8/82.8
R1207	7030004990	S.RES ERJ2GEJ 221 X (220)	T	51.2/84.1
R1211	7030004970	S.RES ERJ2GEJ 470 X (47)	T	52.0/90.1
R1212	7030005050	S.RES ERJ2GEJ 103 X (10K)	T	52.0/93.7
R1213	7030004970	S.RES ERJ2GEJ 470 X (47)	T	50.6/95.6
R1221	7030004970	S.RES ERJ2GEJ 470 X (47)	T	60.0/128.1
R1222	7030005050	S.RES ERJ2GEJ 103 X (10K)	T	69.6/129.1
R1223	7030004980	S.RES ERJ2GEJ 101 X (100)	T	65.0/130.9
R1224	7030010040	S.RES ERJ2GEJ-JPW	T	67.2/130.4
R1225	7030004980	S.RES ERJ2GEJ 101 X (100)	T	61.2/127.4
R1231	7030012990	S.RES ERJ8GEYJ 561V (560)	T	104.6/124.2
R1232	7030009160	S.RES ERJ2GEJ 181 X (180)	T	107.2/122.1
R1233	7030009160	S.RES ERJ2GEJ 181 X (180)	T	104.1/128.1
R1236	7030005090	S.RES ERJ2GEJ 104 X (100K)	T	93.6/124.5
R1238	7030005090	S.RES ERJ2GEJ 104 X (100K)	T	98.5/124.5
R1251	7030008370	S.RES ERJ2GEJ 561 X (560)	T	101.5/118.1
R1252	7030008400	S.RES ERJ2GEJ 182 X (1.8K)	T	103.3/119.9
R1253	7030008400	S.RES ERJ2GEJ 182 X (1.8K)	T	103.3/118.1
R1254	7030008370	S.RES ERJ2GEJ 561 X (560)	T	108.1/119.7
R1255	7030010040	S.RES ERJ2GEJ-JPW	T	108.1/118.7
R1256	7030008370	S.RES ERJ2GEJ 561 X (560)	T	108.1/117.7
R1258	7030007270	S.RES ERJ2GEJ 151 X (150)	T	113.6/130.2
R1261	7030005050	S.RES ERJ2GEJ 103 X (10K)	T	103.9/107.7
R1275	7030007250	S.RES ERJ2GEJ 220 X (22)	T	99.7/111.3
R1276	7030007250	S.RES ERJ2GEJ 220 X (22)	T	99.7/112.9
R1291	7030009320	S.RES ERJ2GEJ 4R7 X (4.7)	T	93.2/106.4
R1292	7030009320	S.RES ERJ2GEJ 4R7 X (4.7)	T	93.2/107.3
R1302	7030005050	S.RES ERJ2GEJ 103 X (10K)	T	87.5/99.3
R1303	7030005050	S.RES ERJ2GEJ 103 X (10K)	T	88.4/99.3
R1304	7030005050	S.RES ERJ2GEJ 103 X (10K)	T	89.3/99.3
R1308	7030004980	S.RES ERJ2GEJ 101 X (100)	T	90.6/101.1
R1313	7030005050	S.RES ERJ2GEJ 103 X (10K)	T	90.4/113.9
R1314	7030005050	S.RES ERJ2GEJ 103 X (10K)	T	92.0/100.9
R1315	7030004990	S.RES ERJ2GEJ 221 X (220)	T	92.2/115.1
R1316	7030010040	S.RES ERJ2GEJ-JPW	T	93.1/115.1
R1318	7030010260	S.RES ERJ1TVJ 3R3 U	T	63.2/88.6
R1319	7030010260	S.RES ERJ1TVJ 3R3 U	T	63.2/84.9
R1321	7030004980	S.RES ERJ2GEJ 101 X (100)	T	87.7/113.9
R1331	7030011450	S.RES ERJ2RKF 429R9X (49.9)	T	81.1/123.6
R1334	7030005710	S.RES ERJ2GEJ 121 X (120)	T	78.3/120.0
R1335	7030008400	S.RES ERJ2GEJ 182 X (1.8K)	T	77.8/121.2
R1351	7030004980	S.RES ERJ2GEJ 101 X (100)	T	64.7/105.4
R1352	7030004980	S.RES ERJ2GEJ 101 X (100)	T	62.9/106.2
R1353	7030004980	S.RES ERJ2GEJ 101 X (100)	T	64.7/107.4
R1354	7030004980	S.RES ERJ2GEJ 101 X (100)	T	64.7/109.6
R1355	7030004980	S.RES ERJ2GEJ 101 X (100)	T	62.9/110.4
R1356	7030004980	S.RES ERJ2GEJ 101 X (100)	T	64.7/111.6
R1357	7030004980	S.RES ERJ2GEJ 101 X (100)	T	62.9/112.4
R1358	7030004980	S.RES ERJ2GEJ 101 X (100)	T	62.9/113.8
R1359	7030004980	S.RES ERJ2GEJ 101 X (100)	T	62.9/108.4
R1361	7030004980	S.RES ERJ2GEJ 101 X (100)	T	56.8/128.1
R1363	7410001220	S.ARR EXB28V103JX	T	68.5/95.8
R1366	7030007250	S.RES ERJ2GEJ 220 X (22)	T	57.0/126.5
R1367	7030007250	S.RES ERJ2GEJ 220 X (22)	T	52.8/125.5
R1368	7030004980	S.RES ERJ2GEJ 101 X (100)	T	74.6/95.1
R1369	7030004980	S.RES ERJ2GEJ 101 X (100)	T	74.6/96.0
R1371	7030004980	S.RES ERJ2GEJ 101 X (100)	T	50.3/100.0
R1380	7030004980	S.RES ERJ2GEJ 101 X (100)	T	62.9/104.2
R1381	7030004980	S.RES ERJ2GEJ 101 X (100)	T	64.9/103.4
R1382	7030004980	S.RES ERJ2GEJ 101 X (100)	T	66.2/102.5
R1383	7030004980	S.RES ERJ2GEJ 101 X (100)	T	64.9/101.1
R1384	7030004980	S.RES ERJ2GEJ 101 X (100)	T	66.2/100.3
R138				

[MAIN UNIT]

REF NO.	PARTS NO.	DESCRIPTION	M.	H/V LOCATION
C29	4030017400	S.CER C1005 CH 1H 220J-T	T	25.8/123.1
C30	4030017460	S.CER C1005 JB 1H 102K-T	T	25.4/122.2
C31	4030017460	S.CER C1005 JB 1H 102K-T	T	25.0/121.3
C32	4030017460	S.CER C1005 JB 1H 102K-T	T	25.0/120.4
C33	4030017460	S.CER C1005 JB 1H 102K-T	T	24.2/119.5
C34	4030017460	S.CER C1005 JB 1H 102K-T	T	24.2/118.6
C35	4030017460	S.CER C1005 JB 1H 102K-T	T	24.2/117.7
C36	4030017460	S.CER C1005 JB 1H 102K-T	T	24.2/116.8
C37	4030017460	S.CER C1005 JB 1H 102K-T	T	23.8/115.9
C38	4030017460	S.CER C1005 JB 1H 102K-T	T	23.8/115.0
C39	4030017460	S.CER C1005 JB 1H 102K-T	T	23.6/114.1
C45	4510010570	S.ELE 16 CE 470 LX	T	18.6/67.4
C46	4030019990	S.CER C1005 JB 1C 104K-T	T	13.4/70.8
C48	4030016790	S.CER C1005 JB 1E 103K-T	T	17.3/76.8
C49	4030019990	S.CER C1005 JB 1C 104K-T	T	19.2/75.8
C51	4030019990	S.CER C1005 JB 1C 104K-T	T	15.7/35.7
C52	4030019990	S.CER C1005 JB 1C 104K-T	T	15.7/33.7
C53	4030017460	S.CER C1005 JB 1H 102K-T	T	15.5/31.4
C54	4030017460	S.CER C1005 JB 1H 102K-T	T	15.5/30.5
C55	4030017460	S.CER C1005 JB 1H 102K-T	T	15.5/29.6
C56	4030017460	S.CER C1005 JB 1H 102K-T	T	15.5/28.7
C57	4030017460	S.CER C1005 JB 1H 102K-T	T	15.5/27.8
C58	4030017430	S.CER C1005 CH 1H 101J-T	T	15.9/25.4
C59	4030017430	S.CER C1005 CH 1H 101J-T	T	15.9/24.5
C60	4030017430	S.CER C1005 CH 1H 101J-T	T	16.5/23.2
C61	4030017430	S.CER C1005 CH 1H 101J-T	T	16.5/22.3
C62	4030017430	S.CER C1005 CH 1H 101J-T	T	16.5/21.4
C63	4030017430	S.CER C1005 CH 1H 101J-T	T	16.5/20.2
C64	4030017460	S.CER C1005 JB 1H 102K-T	T	16.5/19.1
C71	4030017460	S.CER C1005 JB 1H 102K-T	T	25.8/15.1
C72	4030017400	S.CER C1005 CH 1H 220J-T	T	26.3/4.8
C73	4030017400	S.CER C1005 CH 1H 220J-T	T	26.8/15.1
C74	4030017460	S.CER C1005 JB 1H 102K-T	T	27.3/4.8
C96	4030019990	S.CER C1005 JB 1C 104K-T	T	41.8/17.0
C97	4030019990	S.CER C1005 JB 1C 104K-T	T	42.3/3.0
C98	4030019990	S.CER C1005 JB 1C 104K-T	T	44.3/2.8
C106	4030019990	S.CER C1005 JB 1C 104K-T	T	82.7/4.8
C111	4030019120	S.CER GRM188B31E105KA75D	T	71.0/7.5
C121	4030019990	S.CER C1005 JB 1C 104K-T	T	61.0/60.0
C122	4030019990	S.CER C1005 JB 1C 104K-T	T	57.0/60.0
C125	4030019990	S.CER C1005 JB 1C 104K-T	T	27.0/67.7
C135	4030019990	S.CER C1005 JB 1C 104K-T	T	36.5/72.8
C141	4030019990	S.CER C1005 JB 1C 104K-T	T	59.2/49.7
C151	4030019990	S.CER C1005 JB 1C 104K-T	T	25.6/74.9
C201	4030019560	S.CER GRM21BB31C106KE15L	T	28.1/55.8
C202	4030019560	S.CER GRM21BB31C106KE15L	T	29.9/55.8
C203	4030019120	S.CER GRM188B31E105KA75D	T	24.5/60.7
C204	4030019560	S.CER GRM21BB31C106KE15L	T	26.1/41.1
C205	4030019560	S.CER GRM21BB31C106KE15L	T	26.1/42.9
C206	4030019560	S.CER GRM21BB31C106KE15L	T	26.1/44.7
C207	4030019560	S.CER GRM21BB31C106KE15L	T	26.1/46.5
C208	4030017620	S.CER C1005 CH 1H 100C-T	T	22.6/44.7
C211	4030019120	S.CER GRM188B31E105KA75D	T	29.6/47.7
C212	4030019620	S.CER GRM188B31C225KE14D	T	32.3/44.9
C216	4030019120	S.CER GRM188B31E105KA75D	T	30.6/42.8
C217	4030019620	S.CER GRM188B31C225KE14D	T	34.1/40.7
C221	4030019560	S.CER GRM21BB31C106KE15L	T	32.0/49.7
C222	4030019560	S.CER GRM21BB31C106KE15L	T	30.5/53.2
C223	4030019560	S.CER GRM21BB31C106KE15L	T	36.6/55.1
C231	4030019120	S.CER GRM188B31E105KA75D	T	66.4/92.3
C232	4030019120	S.CER GRM188B31E105KA75D	T	61.1/92.3
C241	4030019120	S.CER GRM188B31E105KA75D	T	69.7/4.5
C242	4030019990	S.CER C1005 JB 1C 104K-T	T	64.7/4.5
C243	4510010460	ELE DXN-5R5H334U	T	
C251	4030020190	S.CER GRM32EB31C476KE15L	T	20.2/57.0
C252	4030019120	S.CER GRM188B31E105KA75D	T	15.4/60.5
C253	4030020190	S.CER GRM32EB31C476KE15L	T	18.7/46.1
C254	4030020190	S.CER GRM32EB31C476KE15L	T	18.7/43.1
C255	4030017620	S.CER C1005 CH 1H 100C-T	T	14.0/45.5
C256	4030020190	S.CER GRM32EB31C476KE15L	T	18.7/40.1
C257	4510010570	S.ELE 16 CE 470 LX	T	36.0/25.7
C261	4030019560	S.CER GRM21BB31C106KE15L	T	4.1/46.6
C262	4030019560	S.CER GRM21BB31C106KE15L	T	5.9/46.6
C263	4030019120	S.CER GRM188B31E105KA75D	T	10.5/41.3
C264	4030019560	S.CER GRM21BB31C106KE15L	T	5.3/55.0
C265	4030019560	S.CER GRM21BB31C106KE15L	T	4.9/52.3
C266	4030019560	S.CER GRM21BB31C106KE15L	T	5.3/58.6
C267	4030019560	S.CER GRM21BB31C106KE15L	T	5.3/56.8
C268	4030017620	S.CER C1005 CH 1H 100C-T	T	12.1/58.2
C271	4030019560	S.CER GRM21BB31C106KE15L	T	2.6/20.9
C272	4030019620	S.CER GRM188B31C225KE14D	T	3.9/10.2
C273	4030019990	S.CER C1005 JB 1C 104K-T	T	3.6/19.3
C274	4030019990	S.CER C1005 JB 1C 104K-T	T	3.6/11.3
C275	4510010570	S.ELE 16 CE 470 LX	T	21.0/146.4
C276	4030019560	S.CER GRM21BB31C106KE15L	T	18.6/16.6
C277	4030019990	S.CER C1005 JB 1C 104K-T	T	19.2/15.2
C278	4030019620	S.CER GRM188B31C225KE14D	T	15.3/15.6
C279	4030019990	S.CER C1005 JB 1C 104K-T	T	16.5/15.1
C301	4030019560	S.CER GRM21BB31C106KE15L	T	66.7/15.4
C302	4030019990	S.CER C1005 JB 1C 104K-T	T	101.0/23.5
C303	4030019990	S.CER C1005 JB 1C 104K-T	T	101.0/24.5
C304	4030019990	S.CER C1005 JB 1C 104K-T	T	101.0/26.7
C305	4030019990	S.CER C1005 JB 1C 104K-T	T	101.0/27.6
C306	4030019990	S.CER C1005 JB 1C 104K-T	T	101.0/29.7
C307	4030019990	S.CER C1005 JB 1C 104K-T	T	101.0/31.4
C308	4030019990	S.CER C1005 JB 1C 104K-T	T	101.0/33.2
C309	4030019990	S.CER C1005 JB 1C 104K-T	T	101.8/34.1
C310	4030019990	S.CER C1005 JB 1C 104K-T	T	101.4/35.7
C311	4030019990	S.CER C1005 JB 1C 104K-T	T	101.0/41.1
C312	4030019560	S.CER GRM21BB31C106KE15L	T	64.6/44.0
C313	4030019990	S.CER C1005 JB 1C 104K-T	T	94.4/12.0
C314	4030019990	S.CER C1005 JB 1C 104K-T	T	94.1/47.5
C315	4030019990	S.CER C1005 JB 1C 104K-T	T	92.8/47.4
C316	4030019990	S.CER C1005 JB 1C 104K-T	T	92.4/12.0
C317	4030019990	S.CER C1005 JB 1C 104K-T	T	89.7/12.0

Eqv.= This component is equivalent to the REF No. component listed above, and may be substituted on parts orders and repairs.

[MAIN UNIT]

REF NO.	PARTS NO.	DESCRIPTION	M.	H/V LOCATION
C318	4030019990	S.CER C1005 JB 1C 104K-T	T	88.8/47.4
C319	4030019990	S.CER C1005 JB 1C 104K-T	T	87.6/12.0
C320	4030019990	S.CER C1005 JB 1C 104K-T	T	87.2/47.4
C321	4030019990	S.CER C1005 JB 1C 104K-T	T	84.6/47.4
C322	4030019990	S.CER C1005 JB 1C 104K-T	T	84.0/12.0
C323	4030019990	S.CER C1005 JB 1C 104K-T	T	82.8/47.4
C324	4030019990	S.CER C1005 JB 1C 104K-T	T	82.4/12.0
C325	4030019990	S.CER C1005 JB 1C 104K-T	T	81.4/47.2
C326	4030019990	S.CER C1005 JB 1C 104K-T	T	79.0/12.0
C327	4030019990	S.CER C1005 JB 1C 104K-T	T	77.2/12.0
C328	4030019990	S.CER C1005 JB 1C 104K-T	T	77.6/47.2
C329	4030019990	S.CER C1005 JB 1C 104K-T	T	76.0/47.4
C330	4030019990	S.CER C1005 JB 1C 104K-T	T	74.6/12.0
C331	4030019990	S.CER C1005 JB 1C 104K-T	T	71.6/12.0
C332	4030019990	S.CER C1005 JB 1C 104K-T	T	71.6/47.2
C333	4030019990	S.CER C1005 JB 1C 104K-T	T	70.0/47.2
C334	4030019990	S.CER C1005 JB 1C 104K-T	T	64.0/19.4
C335	4030019990	S.CER C1005 JB 1C 104K-T	T	64.0/20.5
C336	4030019990	S.CER C1005 JB 1C 104K-T	T	64.0/22.8
C337	4030019990	S.CER C1005 JB 1C 104K-T	T	64.0/23.7
C338	4030019990	S.CER C1005 JB 1C 104K-T	T	64.0/26.4
C339	4030019990	S.CER C1005 JB 1C 104K-T	T	64.0/27.5
C340	4030019990	S.CER C1005 JB 1C 104K-T	T	64.0/28.5
C341	4030019990	S.CER C1005 JB 1C 104K-T	T	64.0/29.4
C342	4030019990	S.CER C1005 JB 1C 104K-T	T	65.9/31.0
C343	4030019990	S.CER C1005 JB 1C 104K-T	T	65.9/32.1
C344	4030019990	S.CER C1005 JB 1C 104K-T	T	65.9/33.3
C345	4030019990	S.CER C1005 JB 1C 104K-T	T	65.3/34.2
C346	4030019990	S.CER C1005 JB 1C 104K-T	T	65.7/36.4
C347	4030017640	S.CER C1005 CH 1H 150J-T	T	58.6/25.3
C348	4030017640	S.CER C1005 CH 1H 150J-T	T	58.6/23.5
C351	4030019990	S.CER C1005 JB 1C 104K-T	T	107.0/21.1
C361	4030021250	S.CER C1005 JB 1A 334K-T	T	96.2/7.9
C362	4030019990	S.CER C1005 JB 1C 104K-T	T	94.7/10.0
C371	4030017920	S.CER C1005 JB 1A 683K-T	T	59.4/31.1
C372	4030019990	S.CER C1005 JB 1C 104K-T	T	57.5/29.7
C383	4030019120	S.CER GRM188B31E105KA75D	T	103.2/8.3
C391	4030019990	S.CER C1005 JB 1C 104K-T	T	106.9/40.2
C401	4030017440	S.CER C1005 CH 1H 221J-T	T	62.0/13.8
C402	4030017440	S.CER C1005 CH 1H 221J-T	T	66.0/11.8
C403	4030017440	S.CER C1005 CH 1H 221J-T	T	62.0/14.8
C404	4030017440	S.CER C1005 CH 1H 221J-T	T	66.0/9.8
C405	4030017440	S.CER C1005 CH 1H 221J-T	T	62.0/15.8
C406	4030017440	S.CER C1005 CH 1H 221J-T	T	62.0/10.8
C407	4030017440	S.CER C1005 CH 1H 221J-T	T	80.6/12.0
C408	4030017440	S.CER C1005 CH 1H 221J-T	T	62.0/11.8
C409	4030017440	S.CER C1005 CH 1H 221J-T	T	66.0/10.8
C410	4030017440	S.CER C1005 CH 1H 221J-T	T	62.0/12.8
C411	4030017440	S.CER C1005 CH 1H 221J-T	T	76.8/10.8
C412	4030017440	S.CER C1005 CH 1H 221J-T	T	75.0/10.8
C413	4030017440	S.CER C1005 CH 1H 221J-T	T	76.2/12.0
C414	4030017440	S.CER C1005 CH 1H 221J-T	T	72.9/10.2
C415	4030017440	S.CER C1005 CH 1H 221J-T	T	73.6/12.0
C416	4030017440	S.CER C1005 CH 1H 221J-T	T	71.2/10.6
C418	4030017440	S.CER C1005 CH 1H 221J-T	T	66.1/38.9
C419	4030017440	S.CER C1005 CH 1H 221J-T	T	65.2/39.2
C420	4030017440	S.CER C1005 CH 1H 221J-T	T	65.2/40.8
C421	4030017440	S.CER C1005 CH 1H 221J-T	T	66.3/41.1
C451	4030016790	S.CER C1005 JB 1E 103K-T	T	47.6/25.2
C452	4030016790	S.CER C1005 JB 1E 103K-T	T	48.6/25.2
C453	4030016790	S.CER C1005 JB 1E 103K-T	T	51.9/27.3
C454	4030016790	S.CER C1005 JB 1E 103K-T	T	52.8/27.3
C455	4030016790	S.CER C1005 JB 1E 103K-T	T	49.5/25.2
C456	4030016790	S.CER C1005 JB 1E 103K-T	T	49.3/27.3
C457	4030016790	S.CER C1005 JB 1E 103K-T	T	51.0/27.3
C458	4030016790	S.CER C1005 JB 1E 103K-T	T	57.3/27.3
C461	4030017400	S.CER C1005 CH 1H 220J-T	T	78.0/49.3
C462	4030017430	S.CER C1005 CH 1H 101J-T	T	78.3/48.4
C463	4030017430	S.CER C1005 CH 1H 101J-T	T	76.8/50.2
C464	4030017430	S.CER C1005 CH 1H 101J-T	T	76.6/52.0
C604	4030017460	S.CER C100		

[MAIN UNIT]

REF NO.	PARTS NO.	DESCRIPTION	M.	H/V LOCATION
C693	4030017620	S.CER C1005 CH 1H 100C-T	T	68.4/183.7
C695	4030019990	S.CER C1005 JB 1C 104K-T	T	17.5/157.6
C701	4030019990	S.CER C1005 JB 1C 104K-T	T	16.2/173.5
C720	4510010570	S.ELE 16 CE 470 LX	T	73.9/173.4
C721	4510010570	S.ELE 16 CE 470 LX	T	80.5/144.5
C722	4030019120	S.CER GRM188B31E105KA75D	T	93.7/156.5
C723	4030019620	S.CER GRM188B31C225KE14D	T	90.2/157.6
C724	4030017400	S.CER C1005 CH 1H 220J-T	T	96.7/165.0
C725	4030019990	S.CER C1005 JB 1C 104K-T	T	90.3/161.4
C726	4030019560	S.CER GRM21BB31C106KE15L	T	95.2/160.2
C727	4030019620	S.CER GRM188B31C225KE14D	T	91.4/162.7
C728	4030019570	S.CER C1608 CH 1H 332J-T	T	94.0/162.7
C731	4030020020	S.CER C1005 CH 1H 391J-T	T	96.6/157.0
C732	4030021340	S.CER C1608 JB 1H 474KT ATEX	T	96.6/162.7
C733	4030019990	S.CER C1005 JB 1C 104K-T	T	96.9/160.1
C734	4030021530	S.CER C1608 JB 1E 224K-T	T	96.6/163.9
C735	4030021530	S.CER C1608 JB 1E 224K-T	T	111.5/169.4
C741	4510010570	S.ELE 16 CE 470 LX	T	107.5/146.7
C746	4030019120	S.CER GRM188B31E105KA75D	T	105.5/169.4
C747	4030019990	S.CER C1005 JB 1C 104K-T	T	100.4/167.9
C751	4510010570	S.ELE 16 CE 470 LX	T	98.5/173.0
C752	4030017430	S.CER C1005 CH 1H 101J-T	T	104.7/177.0
C753	4030016790	S.CER C1005 JB 1E 103K-T	T	104.7/175.0
C754	4030016790	S.CER C1005 JB 1E 103K-T	T	89.2/176.5
C761	4030017460	S.CER C1005 JB 1H 102K-T	T	92.3/169.6
C762	4030017460	S.CER C1005 JB 1H 102K-T	T	92.3/170.9
C763	4030017460	S.CER C1005 JB 1H 102K-T	T	92.3/172.2
C764	4030017460	S.CER C1005 JB 1H 102K-T	T	92.3/173.1
C771	4030016790	S.CER C1005 JB 1E 103K-T	T	25.3/173.0
C773	4030016790	S.CER C1005 JB 1E 103K-T	T	33.0/168.0
C774	4030016790	S.CER C1005 JB 1E 103K-T	T	27.1/171.8
C775	4030016790	S.CER C1005 JB 1E 103K-T	T	27.1/179.0
C776	4030016790	S.CER C1005 JB 1E 103K-T	T	27.0/180.0
C778	4030016790	S.CER C1005 JB 1E 103K-T	T	52.6/178.2
C779	4030016790	S.CER C1005 JB 1E 103K-T	T	27.0/181.0
C780	4030016790	S.CER C1005 JB 1E 103K-T	T	27.0/185.0
C781	4030016790	S.CER C1005 JB 1E 103K-T	T	52.3/183.6
C782	4030017460	S.CER C1005 JB 1H 102K-T	T	52.3/182.6
C783	4030016790	S.CER C1005 JB 1E 103K-T	T	27.0/187.0
C791	4030019990	S.CER C1005 JB 1C 104K-T	T	25.3/174.3
C801	4030016790	S.CER C1005 JB 1E 103K-T	T	29.1/163.5
C811	4030019620	S.CER GRM188B31C225KE14D	T	50.5/180.7
C812	4030019620	S.CER GRM188B31C225KE14D	T	51.8/180.7
C901	4030017400	S.CER C1005 CH 1H 220J-T	T	109.2/66.1
C902	4550007200	S.TAN F930J476MBABMA	T	102.7/58.1
C903	4550007200	S.TAN F930J476MBABMA	T	99.4/56.0
C904	4030017400	S.CER C1005 CH 1H 220J-T	T	106.8/68.7
C905	4030019990	S.CER C1005 JB 1C 104K-T	T	102.8/61.4
C906	4030019990	S.CER C1005 JB 1C 104K-T	T	102.8/69.6
C907	4030019990	S.CER C1005 JB 1C 104K-T	T	102.8/70.8
C908	4030019990	S.CER C1005 JB 1C 104K-T	T	102.8/72.2
C909	4030019990	S.CER C1005 JB 1C 104K-T	T	102.8/74.0
C910	4030019990	S.CER C1005 JB 1C 104K-T	T	102.8/74.9
C911	4030019990	S.CER C1005 JB 1C 104K-T	T	102.8/75.8
C912	4030019990	S.CER C1005 JB 1C 104K-T	T	102.8/77.6
C913	4030019990	S.CER C1005 JB 1C 104K-T	T	102.8/78.8
C914	4030019990	S.CER C1005 JB 1C 104K-T	T	102.8/81.3
C915	4030019990	S.CER C1005 JB 1C 104K-T	T	102.8/64.8
C916	4030016790	S.CER C1005 JB 1E 103K-T	T	102.8/65.8
C917	4550007200	S.TAN F930J476MBABMA	T	104.7/91.5
C918	4550007200	S.TAN F930J476MBABMA	T	104.6/87.9
C919	4030019990	S.CER C1005 JB 1C 104K-T	T	96.2/58.0
C920	4030019990	S.CER C1005 JB 1C 104K-T	T	97.1/87.7
C921	4030019990	S.CER C1005 JB 1C 104K-T	T	95.3/88.6
C922	4030019990	S.CER C1005 JB 1C 104K-T	T	92.4/57.6
C923	4030019990	S.CER C1005 JB 1C 104K-T	T	91.4/87.7
C924	4030019990	S.CER C1005 JB 1C 104K-T	T	89.8/57.6
C925	4030019990	S.CER C1005 JB 1C 104K-T	T	88.1/87.3
C926	4030019990	S.CER C1005 JB 1C 104K-T	T	86.8/57.6
C927	4030019990	S.CER C1005 JB 1C 104K-T	T	85.9/87.7
C928	4030019990	S.CER C1005 JB 1C 104K-T	T	84.9/87.7
C929	4030019990	S.CER C1005 JB 1C 104K-T	T	84.4/57.6
C930	4030019990	S.CER C1005 JB 1C 104K-T	T	82.4/87.7
C931	4030019990	S.CER C1005 JB 1C 104K-T	T	82.3/57.8
C932	4030019990	S.CER C1005 JB 1C 104K-T	T	79.9/87.7
C933	4030019990	S.CER C1005 JB 1C 104K-T	T	78.8/57.6
C934	4030019990	S.CER C1005 JB 1C 104K-T	T	77.4/57.6
C935	4030019990	S.CER C1005 JB 1C 104K-T	T	77.4/87.7
C936	4550007200	S.TAN F930J476MBABMA	T	70.0/63.4
C937	4550007200	S.TAN F930J476MBABMA	T	76.9/55.2
C938	4030019990	S.CER C1005 JB 1C 104K-T	T	107.4/84.7
C939	4550007200	S.TAN F930J476MBABMA	T	67.6/71.8
C940	4030019990	S.CER C1005 JB 1C 104K-T	T	72.4/62.3
C941	4030019990	S.CER C1005 JB 1C 104K-T	T	72.4/63.3
C942	4030019990	S.CER C1005 JB 1C 104K-T	T	72.4/67.3
C943	4030019990	S.CER C1005 JB 1C 104K-T	T	72.4/68.3
C944	4030019990	S.CER C1005 JB 1C 104K-T	T	72.4/70.3
C945	4030019990	S.CER C1005 JB 1C 104K-T	T	72.4/71.3
C946	4030019990	S.CER C1005 JB 1C 104K-T	T	72.4/72.3
C947	4030019990	S.CER C1005 JB 1C 104K-T	T	72.4/73.3
C948	4030019990	S.CER C1005 JB 1C 104K-T	T	72.4/75.3
C949	4030019990	S.CER C1005 JB 1C 104K-T	T	72.4/76.8
C950	4030019990	S.CER C1005 JB 1C 104K-T	T	72.4/77.8
C951	4030019990	S.CER C1005 JB 1C 104K-T	T	72.4/79.3
C952	4030019990	S.CER C1005 JB 1C 104K-T	T	72.4/80.8
C953	4030019990	S.CER C1005 JB 1C 104K-T	T	72.4/81.7
C954	4550007200	S.TAN F930J476MBABMA	T	67.6/75.8
C955	4030017430	S.CER C1005 CH 1H 101J-T	T	96.9/55.4
C961	4030019620	S.CER GRM188B31C225KE14D	T	38.0/158.0
C962	4030019620	S.CER GRM188B31C225KE14D	T	37.9/163.0
C971	4030019560	S.CER GRM21BB31C106KE15L	T	33.6/134.0
C972	4030019990	S.CER C1005 JB 1C 104K-T	T	34.2/143.5
C973	4030019560	S.CER GRM21BB31C106KE15L	T	34.2/144.9
C974	4030017700	S.CER C1005 CH 1H 151J-T	T	36.1/156.9
C975	4030017700	S.CER C1005 CH 1H 151J-T	T	34.1/151.5

Eqv.= This component is equivalent to the REF No. component listed above, and may be substituted on parts orders and repairs.

[MAIN UNIT]

REF NO.	PARTS NO.	DESCRIPTION	M.	H/V LOCATION
C976	4030019990	S.CER C1005 JB 1C 104K-T	T	31.3/155.0
C977	4030019990	S.CER C1005 JB 1C 104K-T	T	29.0/149.7
C981	4030019990	S.CER C1005 JB 1C 104K-T	T	32.4/149.2
C991	4030019560	S.CER GRM21BB31C106KE15L	T	47.8/133.2
C992	4030019990	S.CER C1005 JB 1C 104K-T	T	47.7/136.0
C993	4030019560	S.CER GRM21BB31C106KE15L	T	46.4/136.9
C994	4030019560	S.CER GRM21BB31C106KE15L	T	39.1/145.0
C995	4030019570	S.CER C1608 CH 1H 332J-T	T	43.5/139.9
C996	4030019570	S.CER C1608 CH 1H 332J-T	T	46.7/139.9
C997	4030019990	S.CER C1005 JB 1C 104K-T	T	40.5/145.6
C998	4030019990	S.CER C1005 JB 1C 104K-T	T	49.6/145.9
C999	4030017700	S.CER C1005 CH 1H 151J-T	T	43.6/142.0
C1000	4030020980	S.CER C1005 CH 1H 821J-T	T	46.2/142.1
C1001	4030019560	S.CER GRM21BB31C106KE15L	T	39.6/141.6
C1002	4030019560	S.CER GRM21BB31C106KE15L	T	50.8/140.5
C1003	4030019990	S.CER C1005 JB 1C 104K-T	T	60.8/133.6
C1004	4030019560	S.CER GRM21BB31C106KE15L	T	60.7/131.5
C1005	4030019990	S.CER C1005 JB 1C 104K-T	T	64.0/143.9
C1006	4030019990	S.CER C1005 JB 1C 104K-T	T	62.2/143.9
C1007	4030019560	S.CER GRM21BB31C106KE15L	T	65.1/146.2
C1008	4030019560	S.CER GRM21BB31C106KE15L	T	65.2/145.3
C1009	4030019560	S.CER GRM21BB31C106KE15L	T	68.5/142.5
C1010	4030019620	S.CER GRM188B31C225KE14D	T	68.2/146.0
C1011	4030019620	S.CER GRM188B31C225KE14D	T	67.0/139.6
C1012	4030017690	S.CER C1005 CH 1H 121J-T	T	69.7/147.6
C1013	4030017440	S.CER C1005 CH 1H 221J-T	T	69.3/138.2
C1014	4030019990	S.CER C1005 JB 1C 104K-T	T	73.2/135.5
C1015	4030019560	S.CER GRM21BB31C106KE15L	T	74.1/142.8
C1016	4030019620	S.CER GRM188B31C225KE14D	T	72.8/148.1
C1017	4510010570	S.ELE 16 CE 470 LX	T	69.0/153.9
C1018	4030019560	S.CER GRM21BB31C106KE15L	T	63.4/153.3
C1019	4030019990	S.CER C1005 JB 1C 104K-T	T	66.8/148.5
C1020	4030019560	S.CER GRM21BB31C106KE15L	T	69.8/134.9
C1021	4030017420	S.CER C1005 CH 1H 470J-T	T	106.8/76.0
C1022	4030017420	S.CER C1005 CH 1H 470J-T	T	107.4/76.9
C1023	4030017420	S.CER C1005 CH 1H 470J-T	T	106.9/78.2
C1024	4030017420	S.CER C1005 CH 1H 470J-T	T	105.7/82.3
C1025	4030017420	S.CER C1005 CH 1H 470J-T	T	105.7/83.2
C1201	4030016790	S.CER C1005 JB 1E 103K-T	T	51.8/77.5
C1202	4030019990	S.CER C1005 JB 1C 104K-T	T	49.3/75.9
C1203	4030017460	S.CER C1005 JB 1H 102K-T	T	48.2/77.5
C1204	4030019990	S.CER C1005 JB 1C 104K-T	T	52.8/76.6
C1205	4030017460	S.CER C1005 JB 1H 102K-T	T	49.3/80.6
C1206	4030017600	S.CER C1005 CH 1H 080C-T	T	45.5/80.2
C1207	4030016790	S.CER C1005 JB 1E 103K-T	T	49.5/87.2
C1208	4030017530	S.CER C1005 CH 1H 0R5B-T	T	50.5/81.1
C1209	4030016790	S.CER C1005 JB 1E 103K-T	T	51.2/85.9
C1211	4030017460	S.CER C1005 JB 1H 102K-T	T	52.0/91.9
C1212	4030019990	S.CER C1005 JB 1C 104K-T	T	48.5/94.0
C1213	4030016790	S.CER C1005 JB 1E 103K-T	T	52.7/97.5
C1220	4030019620	S.CER GRM188B31C225KE14D	T	68.6/132.9
C1221	4030019990	S.CER C1005 JB 1C 104K-T	T	71.0/131.2
C1222	4030017460	S.CER C1005 JB 1H 102K-T	T	58.4/128.1
C1223	4030017460	S.CER C1005 JB 1H 102K-T	T	66.3/130.4
C1224	4030017460	S.CER C1005 JB 1H 102K-T	T	63.4/130.9
C1231	4030019990	S.CER C1005 JB 1C 104K-T	T	106.1/127.5
C1232	4030019990	S.CER C1005 JB 1C 104K-T	T	97.6/124.5
C1233	4030019990	S.CER C1005 JB 1C 104K-T	T	94.6/124.5
C1235	4030019990	S.CER C1005 JB 1C 104K-T	T	92.8/129.4
C1236	4030019990	S.CER C1005 JB 1C 104K-T	T	107.4/121.0
C1237	4030019990	S.CER C1005 JB 1C 104K-T	T	95.1/121.0
C1241	4030019620	S.CER GRM188B31C225KE14D	T	93.0/118.6
C1242	4030019620	S.CER GRM188B31C225KE14D	T	98.1/118.8
C1251	4030019990	S.CER C1005 JB 1C 104K-T	T	100.6/117.2
C1252	4030019990	S.CER C1005 JB 1C 104K-T	T	101.9/120.3
C1253	4030019990	S.CER C1005 JB 1C 104K-T	T	102.4/117.2
C1254	4030019990	S.CER C1005 JB 1C 104K-T	T	107.7/120.9
C1255	4030019990	S.CER C1005 JB 1C 104K-T</		

[MAIN UNIT]

REF NO.	PARTS NO.	DESCRIPTION	M.	H/V LOCATION
C1336	4030019990	S.CER C1005 JB 1C 104K-T	T	77.5/127.5
C1337	4030019560	S.CER GRM21BB31C106KE15L	T	79.7/128.1
C1338	4030017440	S.CER C1005 CH 1H 221J-T	T	37.8/120.4
C1339	4030017440	S.CER C1005 CH 1H 221J-T	T	37.6/122.0
C1340	4030017620	S.CER C1005 CH 1H 100C-T	T	39.3/89.4
C1350	4510010570	S.ELE 16 CE 470 LX	T	46.5/69.3
C1351	4550007200	S.TAN F930J476MBABMA	T	39.3/93.3
C1352	4030018910	S.CER C1608 JB 0J 475K-T	T	45.8/93.2
C1353	4030016790	S.CER C1005 JB 1E 103K-T	T	45.7/89.6
C1354	4030018910	S.CER C1608 JB 0J 475K-T	T	46.2/88.6
C1355	4030016790	S.CER C1005 JB 1E 103K-T	T	54.2/96.7
C1356	4030018900	S.CER C1005 JB 0J 474K-T	T	45.3/91.7
C1357	4030017460	S.CER C1005 JB 1H 102K-T	T	46.2/91.7
C1358	4030018900	S.CER C1005 JB 0J 474K-T	T	47.1/91.7
C1359	4030017460	S.CER C1005 JB 1H 102K-T	T	55.1/96.7
C1360	4030018900	S.CER C1005 JB 0J 474K-T	T	45.7/90.5
C1361	4030017460	S.CER C1005 JB 1H 102K-T	T	45.2/94.3
C1362	4030017460	S.CER C1005 JB 1H 102K-T	T	47.1/90.1
C1363	4030017460	S.CER C1005 JB 1H 102K-T	T	43.1/91.6
C1364	4030017460	S.CER C1005 JB 1H 102K-T	T	49.5/127.2
C1365	4030017460	S.CER C1005 JB 1H 102K-T	T	58.2/96.9
C1366	4030017460	S.CER C1005 JB 1H 102K-T	T	40.2/98.9
C1367	4030017460	S.CER C1005 JB 1H 102K-T	T	54.8/125.5
C1368	4030017460	S.CER C1005 JB 1H 102K-T	T	62.9/97.2
C1369	4030017460	S.CER C1005 JB 1H 102K-T	T	59.1/96.9
C1370	4030017460	S.CER C1005 JB 1H 102K-T	T	60.6/125.3
C1371	4030018900	S.CER C1005 JB 0J 474K-T	T	43.1/94.3
C1372	4030016790	S.CER C1005 JB 1E 103K-T	T	48.6/127.2
C1373	4030016790	S.CER C1005 JB 1E 103K-T	T	60.0/96.9
C1374	4030016790	S.CER C1005 JB 1E 103K-T	T	40.2/100.8
C1375	4030018900	S.CER C1005 JB 0J 474K-T	T	43.1/93.4
C1376	4030016790	S.CER C1005 JB 1E 103K-T	T	64.6/96.7
C1377	4030018900	S.CER C1005 JB 0J 474K-T	T	62.3/102.6
C1378	4030018900	S.CER C1005 JB 0J 474K-T	T	40.2/99.9
C1379	4030018900	S.CER C1005 JB 0J 474K-T	T	43.1/92.5
C1380	4030018900	S.CER C1005 JB 0J 474K-T	T	47.7/127.2
C1381	4030018900	S.CER C1005 JB 0J 474K-T	T	57.0/96.4
C1382	4030018900	S.CER C1005 JB 0J 474K-T	T	37.8/123.6
C1383	4030018900	S.CER C1005 JB 0J 474K-T	T	53.0/126.7
C1384	4030018900	S.CER C1005 JB 0J 474K-T	T	64.6/95.7
C1385	4030018900	S.CER C1005 JB 0J 474K-T	T	60.9/96.9
C1386	4030018900	S.CER C1005 JB 0J 474K-T	T	60.6/126.2
C1387	4030018910	S.CER C1608 JB 0J 475K-T	T	55.8/125.9
C1388	4030018910	S.CER C1608 JB 0J 475K-T	T	49.4/125.4
C1389	4030018910	S.CER C1608 JB 0J 475K-T	T	58.3/92.3
C1390	4030018910	S.CER C1608 JB 0J 475K-T	T	59.2/126.2
C1391	4030020540	S.CER GRM32EB30J107ME16L	T	52.4/128.7
C1392	4030020540	S.CER GRM32EB30J107ME16L	T	45.6/128.8
C1393	4030020540	S.CER GRM32EB30J107ME16L	T	58.6/94.4
C1394	4030020540	S.CER GRM32EB30J107ME16L	T	35.6/121.7
C1396	4550007200	S.TAN F930J476MBABMA	T	41.4/96.6
C1397	4030017420	S.CER C1005 CH 1H 470J-T	T	57.5/125.3
C1398	4030017430	S.CER C1005 CH 1H 101J-T	T	53.9/125.5
C1399	4030019990	S.CER C1005 JB 1C 104K-T	T	45.9/99.9
C1400	4030019990	S.CER C1005 JB 1C 104K-T	T	45.9/100.8
C1401	4030019990	S.CER C1005 JB 1C 104K-T	T	28.0/124.4
C3003	4030019990	S.CER C1005 JB 1C 104K-T	T	109.2/105.0
J1	6510022472	S.CON 40FLT-SM2-TB(LF)(SN)(M)	T	17.5/90.3
J21	6510021722	S.CON 30FLT-SM2-TB(LF)(SN)(M)	T	17.5/122.0
J45	6510018961	S.CON B2B-PH-SM4-TB(LF)(SN)	T	7.2/70.9
J51	6510021722	S.CON 30FLT-SM2-TB(LF)(SN)(M)	T	8.6/28.0
J71	6510022472	S.CON 40FLT-SM2-TB(LF)(SN)(M)	T	34.5/10.0
J101	6510024522	S.CON 12FLT-SM2-TB(LF)(SN)(M)	T	82.4/7.4
J491	6510025142	S.CON 10FLT-SM2-TB(LF)(SN)(M)	T	108.9/16.4
J601	6510026540	CON UBB-4R-D14T-4D(LF)(SN)		
J691	6510025940	CON PJ-3047S <XIN>		
J751	6510025940	CON PJ-3047S <XIN>		
J752	6510014961	S.CON B2B-ZR-SM4-TF(LF)(SN)	T	111.0/174.5
J761	6510018971	S.CON B4B-PH-SM4-TB(LF)(SN)	T	82.0/170.5
J771	6450001641	CON TCS5004-0141177		
J901	6510025142	S.CON 10FLT-SM2-TB(LF)(SN)(M)	T	93.5/94.9
J1231	6510028210	CON SJ050010 (TMP-J01X-V6)		
S371	2230001480	S.SWI LS37J2-T	T	57.9/34.5
BT381	3020000390	S.LIT ML414HIV01E	T	97.8/3.9
EP1	6910020910	S.BEA MPZ1608S300AT	T	21.3/80.8
EP2	6910019100	S.BEA MPZ1608S101AT	T	21.3/85.5
EP3	6910021240	S.BEA MMZ1005A152ET	T	22.3/89.8
EP5	6910021240	S.BEA MMZ1005A152ET	T	22.3/91.6
EP6	6910021240	S.BEA MMZ1005A152ET	T	22.3/92.5
EP7	6910021240	S.BEA MMZ1005A152ET	T	22.3/93.4
EP8	6910021240	S.BEA MMZ1005A152ET	T	22.3/94.3
EP9	6910021240	S.BEA MMZ1005A152ET	T	22.3/95.2
EP11	6910021240	S.BEA MMZ1005A152ET	T	22.3/97.0
EP14	6910021240	S.BEA MMZ1005A152ET	T	21.7/99.7
EP19	6910021240	S.BEA MMZ1005A152ET	T	22.3/88.9
EP21	6910019900	S.BEA MPZ1608S601AT	T	21.5/131.1
EP22	6910019900	S.BEA MPZ1608S601AT	T	22.1/129.9
EP23	6910019900	S.BEA MPZ1608S601AT	T	22.1/128.7
EP32	6910021240	S.BEA MMZ1005A152ET	T	22.8/120.4
EP33	6910021240	S.BEA MMZ1005A152ET	T	22.0/119.5
EP34	6910021240	S.BEA MMZ1005A152ET	T	22.0/118.6
EP35	6910021240	S.BEA MMZ1005A152ET	T	22.0/117.7
EP36	6910021240	S.BEA MMZ1005A152ET	T	22.0/116.8
EP37	6910021240	S.BEA MMZ1005A152ET	T	21.6/115.9
EP38	6910021240	S.BEA MMZ1005A152ET	T	21.6/115.0
EP39	6910021240	S.BEA MMZ1005A152ET	T	21.4/114.1
EP45	6910019900	S.BEA MPZ1608S601AT	T	7.0/67.4

Eqv.= This component is equivalent to the REF No. component listed above, and may be substituted on parts orders and repairs.

[MAIN UNIT]

REF NO.	PARTS NO.	DESCRIPTION	M.	H/V LOCATION
EP46	6910019900	S.BEA MPZ1608S601AT	T	19.2/73.6
EP51	6910019100	S.BEA MPZ1608S101AT	T	12.7/35.7
EP52	6910019900	S.BEA MPZ1608S601AT	T	12.7/33.4
EP58	6910015970	S.BEA MMZ1608B 301CT-AS	T	13.7/26.3
EP59	6910015970	S.BEA MMZ1608B 301CT-AS	T	12.8/25.0
EP60	6910015970	S.BEA MMZ1608B 301CT-AS	T	13.7/23.8
EP61	6910015970	S.BEA MMZ1608B 301CT-AS	T	13.6/22.6
EP62	6910015970	S.BEA MMZ1608B 301CT-AS	T	13.8/21.4
EP63	6910015970	S.BEA MMZ1608B 301CT-AS	T	13.8/20.2
EP75	6910015970	S.BEA MMZ1608B 301CT-AS	T	28.3/14.2
EP79	6910015970	S.BEA MMZ1608B 301CT-AS	T	29.9/14.2
EP80	6910015970	S.BEA MMZ1608B 301CT-AS	T	30.4/6.0
EP81	6910015970	S.BEA MMZ1608B 301CT-AS	T	31.1/14.2
EP82	6910015970	S.BEA MMZ1608B 301CT-AS	T	31.6/6.0
EP83	6910015970	S.BEA MMZ1608B 301CT-AS	T	32.3/14.2
EP84	6910015970	S.BEA MMZ1608B 301CT-AS	T	32.8/6.0
EP85	6910015970	S.BEA MMZ1608B 301CT-AS	T	33.5/14.2
EP86	6910015970	S.BEA MMZ1608B 301CT-AS	T	34.0/6.0
EP87	6910015970	S.BEA MMZ1608B 301CT-AS	T	34.7/14.2
EP88	6910015970	S.BEA MMZ1608B 301CT-AS	T	35.2/6.0
EP89	6910015970	S.BEA MMZ1608B 301CT-AS	T	35.9/14.2
EP90	6910015970	S.BEA MMZ1608B 301CT-AS	T	36.4/6.0
EP91	6910015970	S.BEA MMZ1608B 301CT-AS	T	37.1/14.2
EP92	6910015970	S.BEA MMZ1608B 301CT-AS	T	37.6/6.0
EP93	6910015970	S.BEA MMZ1608B 301CT-AS	T	38.3/14.2
EP94	6910015970	S.BEA MMZ1608B 301CT-AS	T	38.8/6.0
EP95	6910015970	S.BEA MMZ1608B 301CT-AS	T	39.5/14.2
EP96	6910019900	S.BEA MPZ1608S601AT	T	40.8/14.2
EP97	6910019900	S.BEA MPZ1608S601AT	T	42.3/5.8
EP98	6910019900	S.BEA MPZ1608S601AT	T	44.3/5.8
EP111	6910019900	S.BEA MPZ1608S601AT	T	71.0/4.5
EP121	6910023350	S.BEA MMZ1005B601CT	T	55.6/59.9
EP141	6910023350	S.BEA MMZ1005B601CT	T	60.8/49.7
EP201	6910018930	S.BEA MPZ2012S601A	T	29.0/58.2
EP202	6910018930	S.BEA MPZ2012S601A	T	23.7/40.6
EP221	6910018930	S.BEA MPZ2012S601A	T	35.0/59.5
EP251	6910018930	S.BEA MPZ2012S601A	T	20.1/60.2
EP301	6910019900	S.BEA MPZ1608S601AT	T	99.0/13.3
EP302	6910019900	S.BEA MPZ1608S601AT	T	64.9/42.4
EP303	6910023350	S.BEA MMZ1005B601CT	T	99.6/34.8
EP304	6910023350	S.BEA MMZ1005B601CT	T	66.6/23.2
EP351	6910023350	S.BEA MMZ1005B601CT	T	105.0/21.7
EP391	6910023350	S.BEA MMZ1005B601CT	T	104.9/40.2
EP601	6910023350	S.BEA MMZ1005B601CT	T	55.1/174.1
EP621	6910019900	S.BEA MPZ1608S601AT	T	63.3/159.2
EP641	6910023350	S.BEA MMZ1005B601CT	T	46.6/166.2
EP661	6910023350	S.BEA MMZ1005B601CT	T	61.8/151.0
EP662	6910023350	S.BEA MMZ1005B601CT	T	59.4/145.6
EP691	6910023350	S.BEA MMZ1005B601CT	T	68.4/182.5
EP751	6910018930	S.BEA MPZ2012S601A	T	92.5/179.5
EP752	6910018930	S.BEA MPZ2012S601A	T	107.5/177.6
EP761	6910019900	S.BEA MPZ1608S601AT	T	89.0/169.6
EP762	6910019900	S.BEA MPZ1608S601AT	T	89.0/170.9
EP763	6910019900	S.BEA MPZ1608S601AT	T	89.0/172.2
EP764	6910019900	S.BEA MPZ1608S601AT	T	89.0/173.5
EP771	6910019900	S.BEA MPZ1608S601AT	T	28.5/173.0
EP773	6910019900	S.BEA MPZ1608S601AT	T	35.3/168.0
EP774	6910023350	S.BEA MMZ1005B601CT	T	29.5/171.8
EP775	6910023350	S.BEA MMZ1005B601CT	T	29.4/179.0
EP776	6910023350	S.BEA MMZ1005B601CT	T	29.4/180.0
EP778	6910018930	S.BEA MPZ2012S601A	T	51.4/176.5
EP779	6910023350	S.BEA MMZ1005B601CT	T	29.4/181.0
EP780	6910023350	S.BEA MMZ1005B601CT	T	29.4/185.0
EP781	6910023350	S.BEA MMZ1005B601CT	T	50.5/183.6
EP782	6910023350	S.BEA MMZ1005B601CT	T	50.5/182.6
EP783	6910023350	S.BEA MMZ1005B601CT	T	29.4/187.0
EP901	6910018930	S.BEA MPZ2012S601A	T	71.8/55.2
EP902	6910018930	S.BEA MPZ2012S601A	T	70.0/58.5
EP904	6910019900	S.BEA MPZ1608S601AT	T	103.5/63.1
EP905	6910019900	S.BEA MPZ1608S601AT	T	102.3/63.1
EP906	6910019900	S.BEA MPZ1608S601AT	T	112.7/77.8
EP971	6910019900	S.BEA MPZ1608S601AT	T	34.2/146.5
EP991	6910019900	S.BEA MPZ1608S601AT	T	44.1/137.5
EP1001	6910019900	S.BEA MPZ1608S601AT	T	64.6/133.2
EP1002	6910019900	S.BEA MPZ1608S601AT	T	59.9/143.9
EP1003	6910019900	S.BEA MPZ1608S601AT	T	56.8/132.0
EP1201	6910023420	S.BEA MMZ1005A422ET	T	48.2/75.9
EP1202	6910002161	CAS CASE-BM7H-LF		
EP1203	6910023350	S.BEA MMZ1005B601CT	T	46.8/86.6
EP1211	6910018460	S.BEA MMZ1005Y102C-T	T	49.0/95.6
EP1212	6910018460	S.BEA MMZ1005Y102C-T	T	52.7/95.7
EP1221	6910018460	S.BEA MMZ1005Y102C-T	T	71.9/131.2
EP1				

[RF UNIT]

REF NO.	PARTS NO.	DESCRIPTION	M.	H/V LOCATION
IC1031	1110008080	S.IC BGA2866115 <RYO>	T	96.6/24.2
IC1061	1180004430	S.REG XC6209F502MR-G	T	64.3/9.3
IC1301	1130010550	S.IC SN74AHC595PWR	T	27.2/19.9
IC1302	1130010550	S.IC SN74AHC595PWR	T	17.6/19.9
IC1303	1130010550	S.IC SN74AHC595PWR	T	8.1/19.9
IC1501	1110005320	S.IC NJM13403V-TE1-#ZZZB	T	48.6/26.2
IC1502	1110008550	S.IC NJM2904CRB1-TE1-#HMZR	T	37.2/27.7
Q101	1590004690	S.TRA LDTC143ZET1G <SLVJ>	T	104.9/11.2
Q1001	1590004690	S.TRA LDTC143ZET1G <SLVJ>	T	70.9/6.2
Q1051	1530004140	S.TRA L2SC4081RT1G <SLVJ>	T	86.3/30.7
Q1061	1590004310	S.TRA LDTA114EET1G <SLVJ>	T	61.5/11.1
Q1062	1590004690	S.TRA LDTC143ZET1G <SLVJ>	T	61.5/8.7
Q1091	1590004690	S.TRA LDTC143ZET1G <SLVJ>	T	4.5/75.3
Q1092	1590004690	S.TRA LDTC143ZET1G <SLVJ>	T	4.5/77.7
Q1093	1590004310	S.TRA LDTA114EET1G <SLVJ>	T	7.0/77.7
Q1094	1590004310	S.TRA LDTA114EET1G <SLVJ>	T	7.0/74.8
Q1095	1590004310	S.TRA LDTA114EET1G <SLVJ>	T	7.0/72.6
Q1096	1590004690	S.TRA LDTC143ZET1G <SLVJ>	T	4.5/73.1
Q1097	1590004690	S.TRA LDTC143ZET1G <SLVJ>	T	58.3/12.9
Q1098	1590004690	S.TRA LDTC143ZET1G <SLVJ>	T	56.1/12.9
Q1099	1590004310	S.TRA LDTA114EET1G <SLVJ>	T	58.6/15.3
Q1110	1590004310	S.TRA LDTA114EET1G <SLVJ>	T	56.6/15.3
Q1111	1590004690	S.TRA LDTC143ZET1G <SLVJ>	T	31.0/31.5
Q1121	1590004690	S.TRA LDTC143ZET1G <SLVJ>	T	5.8/31.5
Q1131	1590004690	S.TRA LDTC143ZET1G <SLVJ>	T	6.9/27.7
Q1141	1590004690	S.TRA LDTC143ZET1G <SLVJ>	T	9.4/31.5
Q1151	1590004690	S.TRA LDTC143ZET1G <SLVJ>	T	10.5/27.7
Q1161	1590004690	S.TRA LDTC143ZET1G <SLVJ>	T	13.0/31.5
Q1171	1590004690	S.TRA LDTC143ZET1G <SLVJ>	T	14.1/27.7
Q1181	1590004690	S.TRA LDTC143ZET1G <SLVJ>	T	16.6/31.5
Q1191	1590004690	S.TRA LDTC143ZET1G <SLVJ>	T	17.7/27.7
Q1201	1590004690	S.TRA LDTC143ZET1G <SLVJ>	T	20.2/31.5
Q1211	1590004690	S.TRA LDTC143ZET1G <SLVJ>	T	21.3/27.7
Q1221	1590004690	S.TRA LDTC143ZET1G <SLVJ>	T	23.8/31.5
Q1231	1590004690	S.TRA LDTC143ZET1G <SLVJ>	T	25.0/27.7
Q1241	1590004690	S.TRA LDTC143ZET1G <SLVJ>	T	27.4/31.5
Q1261	1590004690	S.TRA LDTC143ZET1G <SLVJ>	[#03]	28.6/27.7
	1590004690	S.TRA LDTC143ZET1G <SLVJ>	[#05]	
	1590004690	S.TRA LDTC143ZET1G <SLVJ>	[#06]	
Q1411	1530004340	S.TRA 2SC3356L-B-AE3-R <SLVJ>	T	55.0/77.9
Q1412	1590004690	S.TRA LDTC143ZET1G <SLVJ>	T	40.8/85.9
Q1413	1590004690	S.TRA LDTC143ZET1G <SLVJ>	T	40.8/83.0
Q1511	1590004310	S.TRA LDTA114EET1G <SLVJ>	T	33.6/24.6
Q1512	1590004690	S.TRA LDTC143ZET1G <SLVJ>	T	31.5/24.0
Q1521	1510001200	S.TRA L2SA1576ART1G <SLVJ>	T	47.9/17.2
Q1561	1590004310	S.TRA LDTA114EET1G <SLVJ>	T	33.3/30.9
Q1562	1530003960	S.TRA KTC2875-B-RTK/P	T	36.0/32.8
Q1563	1560002190	S.FET RUM002N02TZL	T	42.0/31.0
Q1571	1530004140	S.TRA L2SC4081RT1G <SLVJ>	T	54.0/20.4
D101	1750001810	S.DIO L1SS400T1G <SLVJ>	T	106.6/11.3
D1001	1790001622	S.DIO 1SV308L3F(T)	T	72.0/11.5
D1021	1750003070	S.DIO BAP70Q <RYO>	T	93.5/12.0
D1041	1750003070	S.DIO BAP70Q <RYO>	T	91.6/27.5
D1051	1750003100	S.DIO BAR64-02V H6327 <RYOYO>	T	83.7/26.5
D1052	1750003100	S.DIO BAR64-02V H6327 <RYOYO>	T	82.7/30.4
D1053	1790001622	S.DIO 1SV308L3F(T)	T	77.9/21.5
D1081	1790001622	S.DIO 1SV308L3F(T)	T	75.5/16.7
D1082	1790001622	S.DIO 1SV308L3F(T)	T	74.7/18.5
D1083	1790001622	S.DIO 1SV308L3F(T)	T	72.1/18.5
D1091	1750001810	S.DIO L1SS400T1G <SLVJ>	T	5.6/79.3
D1101	1790001622	S.DIO 1SV308L3F(T)	T	73.8/23.5
D1111	1790001622	S.DIO 1SV308L3F(T)	T	77.9/22.7
D1112	1790001622	S.DIO 1SV308L3F(T)	T	96.2/57.9
D1121	1790001622	S.DIO 1SV308L3F(T)	T	12.9/39.3
D1122	1790001622	S.DIO 1SV308L3F(T)	T	15.0/68.5
D1131	1790001622	S.DIO 1SV308L3F(T)	T	17.4/40.1
D1132	1790001622	S.DIO 1SV308L3F(T)	T	18.6/67.7
D1141	1790001622	S.DIO 1SV308L3F(T)	T	26.8/40.1
D1142	1790001622	S.DIO 1SV308L3F(T)	T	25.2/66.8
D1151	1790001622	S.DIO 1SV308L3F(T)	T	30.2/40.1
D1152	1790001622	S.DIO 1SV308L3F(T)	T	30.3/66.8
D1161	1790001622	S.DIO 1SV308L3F(T)	T	37.0/40.1
D1162	1790001622	S.DIO 1SV308L3F(T)	T	35.4/66.8
D1171	1790001622	S.DIO 1SV308L3F(T)	T	39.6/40.1
D1172	1790001622	S.DIO 1SV308L3F(T)	T	40.4/66.8
D1181	1790001622	S.DIO 1SV308L3F(T)	T	47.8/40.1
D1182	1790001622	S.DIO 1SV308L3F(T)	T	45.5/66.5
D1191	1790001622	S.DIO 1SV308L3F(T)	T	49.9/40.1
D1192	1790001622	S.DIO 1SV308L3F(T)	T	50.7/66.5
D1201	1790001622	S.DIO 1SV308L3F(T)	T	56.3/40.1
D1202	1790001622	S.DIO 1SV308L3F(T)	T	54.7/66.5
D1211	1790001622	S.DIO 1SV308L3F(T)	T	92.0/39.9
D1212	1790001622	S.DIO 1SV308L3F(T)	T	90.8/58.9
D1214	1790001622	S.DIO 1SV308L3F(T)	T	65.6/43.0
D1221	1790001622	S.DIO 1SV308L3F(T)	T	83.4/39.9
D1222	1790001622	S.DIO 1SV308L3F(T)	T	78.7/71.0
D1231	1790001622	S.DIO 1SV308L3F(T)	T	85.5/39.9
D1232	1790001622	S.DIO 1SV308L3F(T)	T	86.6/68.7
D1241	1790001622	S.DIO 1SV308L3F(T)	T	64.6/45.2
D1242	1790001622	S.DIO 1SV308L3F(T)	T	60.0/74.5
D1243	1790001622	S.DIO 1SV308L3F(T)	[#03]	63.8/49.3
	1790001622	S.DIO 1SV308L3F(T)	[#05]	
	1790001622	S.DIO 1SV308L3F(T)	[#06]	
D1261	1790001622	S.DIO 1SV308L3F(T)	[#03]	72.4/39.1
	1790001622	S.DIO 1SV308L3F(T)	[#05]	
	1790001622	S.DIO 1SV308L3F(T)	[#06]	
D1262	1790001622	S.DIO 1SV308L3F(T)	[#03]	73.3/74.5
	1790001622	S.DIO 1SV308L3F(T)	[#05]	
	1790001622	S.DIO 1SV308L3F(T)	[#06]	
D1401	1790001622	S.DIO 1SV308L3F(T)	T	36.5/68.4
D1402	1790001622	S.DIO 1SV308L3F(T)	T	34.6/78.3

Eqv.= This component is equivalent to the REF No. component listed above, and may be substituted on parts orders and repairs.

[RF UNIT]

REF NO.	PARTS NO.	DESCRIPTION	M.	H/V LOCATION
D1411	1790001622	S.DIO 1SV308L3F(T)	T	49.8/68.1
D1412	1790001622	S.DIO 1SV308L3F(T)	T	34.6/80.8
D1413	1790001622	S.DIO 1SV308L3F(T)	T	50.4/82.8
D1414	1790001622	S.DIO 1SV308L3F(T)	T	48.8/82.8
D1415	1790001622	S.DIO 1SV308L3F(T)	T	61.2/82.1
D1416	1790001622	S.DIO 1SV308L3F(T)	T	61.2/84.9
D1501	1750001810	S.DIO L1SS400T1G <SLVJ>	T	50.5/18.1
D1521	1750002230	S.DIO LRB751S-40T1G <SLVJ>	T	44.1/19.1
D1522	1750002230	S.DIO LRB751S-40T1G <SLVJ>	T	45.3/17.5
D1523	1730002890	S.ZEN DZ2J033MOL	T	46.3/20.0
D1531	1750001810	S.DIO L1SS400T1G <SLVJ>	T	46.1/22.7
D1541	1750001810	S.DIO L1SS400T1G <SLVJ>	T	54.4/29.4
D1542	1750001810	S.DIO L1SS400T1G <SLVJ>	T	49.5/31.0
D1543	1750001810	S.DIO L1SS400T1G <SLVJ>	T	52.5/32.3
D1561	1750002230	S.DIO LRB751S-40T1G <SLVJ>	T	41.6/29.5
D1563	1750001810	S.DIO L1SS400T1G <SLVJ>	T	47.5/33.5
L1022	6200002041	S.COI NLV25T-101J-PF	T	95.6/16.1
L1023	6200002041	S.COI NLV25T-101J-PF	T	93.1/17.0
L1041	6200002041	S.COI NLV25T-101J-PF	T	93.0/23.4
L1042	6200002041	S.COI NLV25T-101J-PF	T	88.0/22.5
L1043	6200002041	S.COI NLV25T-101J-PF	T	90.5/22.5
L1051	6200002041	S.COI NLV25T-101J-PF	T	86.2/27.4
L1052	6200002041	S.COI NLV25T-101J-PF	T	85.3/22.9
L1053	6200002041	S.COI NLV25T-101J-PF	T	81.3/24.9
L1081	6200002041	S.COI NLV25T-101J-PF	T	72.5/13.7
L1082	6200002041	S.COI NLV25T-101J-PF	T	69.1/20.4
L1083	6200002041	S.COI NLV25T-101J-PF	T	66.4/24.6
L1101	6200003241	S.COI NLV32T-221J-PF	T	76.2/25.8
L1102	6200003241	S.COI NLV32T-221J-PF	T	75.2/32.7
L1103	6200001851	S.COI NLV32T-5R6J-PF	T	70.9/27.9
L1104	6200002961	S.COI NLV32T-4R7J-PF	T	70.1/31.5
L1105	6200010680	S.COI C2520C-R22G-A (0.22U)	T	64.8/40.2
L1106	6200010680	S.COI C2520C-R22G-A (0.22U)	T	61.1/42.2
L1111	6200002041	S.COI NLV25T-101J-PF	T	94.3/41.1
L1112	6200010800	S.COI C2520C-4R7G-A	T	95.3/45.8
L1113	6200010800	S.COI C2520C-4R7G-A	T	96.1/50.4
L1114	6200002041	S.COI NLV25T-101J-PF	T	94.9/55.0
L1121	6200015770	S.COI 1812CS-392XJLC	T	10.0/42.7
L1122	6200015780	S.COI 1812CS-103XJLC	T	10.8/60.8
L1123	6200015770	S.COI 1812CS-392XJLC	T	10.1/68.5
L1131	6200015790	S.COI 1812CS-222XJLC	T	16.6/47.0
L1132	6200015800	S.COI 1812CS-682XJLC	T	15.9/54.6
L1133	6200015790	S.COI 1812CS-222XJLC	T	16.5/63.5
L1141	6200015810	S.COI 1812CS-102XJLC	T	22.5/43.3
L1142	6200011820	S.COI 1812CS-562XJLC	T	22.1/53.5
L1143	6200015810	S.COI 1812CS-102XJLC	T	23.0/62.8
L1151	6200010530	S.COI C2520C-R56G-A (0.56U)	T	28.9/46.6
L1152	6200015770	S.COI 1812CS-392XJLC	T	28.1/56.5
L1153	6200010530	S.COI C2520C-R56G-A (0.56U)	T	28.9/64.2
L1161	6200010960	S.COI C2520C-R47G-A (0.47U)	T	34.7/42.0
L1162	6200015820	S.COI 1812CS-272XJLC	T	33.8/51.3
L1163	6200010960	S.COI C2520C-R47G-A (0.47U)	T	33.7/63.3
L1171	6200010530	S.COI C2520C-R56G-A (0.56U)	T	39.1/46.5
L1172	6200015790	S.COI 1812CS-222XJLC	T	39.8/56.5
L1173	6200010530	S.COI C2520C-R56G-A (0.56U)	T	39.0/64.1
L1181	6200010870	S.COI C2520C-R33G-A (0.33U)	T	44.7/42.0
L1182	6200015830	S.COI 1812CS-152XJLC	T	44.6/50.5
L1183	6200010870	S.COI C2520C-R33G-A (0.33U)	T	43.7/62.9
L1191	6200010670	S.COI C2520C-R18G-A (0.18U)	T	50.2/47.6
L1192	6200015810	S.COI 1812CS-102XJLC	T	50.2/56.0
L1193	6200010670	S.COI C2520C-R18G-A (0.18U)	T	49.2/63.3
L1201	6200010660	S.COI C2520C-R15G-A (0.15U)	T	54.4/43.6
L1202	6200010770	S.COI C2520C-R68G-A	T	54.7/51.3
L1203	6200010660	S.COI C2520C-R15G-A (0.15U)	T	53.5/62.9
L1211	6200010680	S.COI C2520C-R22G-A (0.22U)	T	89.2/41.2
L1212	6200010660	S.COI C2520C-R15G-A (0.15U)	T	89.5/49.9
L1213	6200010680	S.COI C2520C-R22G-A (0.22U)	T	89.9/56.0
L1221	6200013000	S.COI 0.25-1.9-13TL 135N <COMO>	T	80.3/41.2
L1222	6200013000	S.COI 0.25-1.9-13TL 135N <COMO>	T	78.3/46.3
L1223	6200010680	S.COI C2520C-R22G-A (0.22U)	T	78.4/51.3
L1224	6200013000	S.COI 0.25-1.9-13TL 135N <COMO>	T	79.1/57.4
L1225	6200013000	S.COI 0.25-1.9-13TL 135N <COMO>	T	78.4/62.7
L1226	6200002041	S.COI NLV25T-101J-PF	T	78.0/68.7
L1231	6200002041	S.COI NLV25T-101J-PF	T	84.5/45.1
L1233	6200012510	S.COI 0.25-1.9-8TL 72.0N <COMO>	T	84.7/50.5
L1234	6200012990	S.COI 0.25-1.9-9TL 84.0N <COMO>	T	84.4/66.7
L1				

[RF UNIT]

Table with columns: REF NO., PARTS NO., DESCRIPTION, M., H/V LOCATION. Contains multiple rows of component data for RF units.

[RF UNIT]

Table with columns: REF NO., PARTS NO., DESCRIPTION, M., H/V LOCATION. Contains multiple rows of component data for RF units.

Eqv.= This component is equivalent to the REF No. component listed above, and may be substituted on parts orders and repairs.

M.=Mounted side (T: Mounted on the Top side, B: Mounted on the Bottom side) S.=Surface mount

[RF UNIT]

REF NO.	PARTS NO.	DESCRIPTION	M.	H/V LOCATION
C102	4030016790	S.CER C1005 JB 1E 103K-T	T	106.2/13.0
C103	4030016790	S.CER C1005 JB 1E 103K-T	T	103.9/13.0
C201	4030016790	S.CER C1005 JB 1E 103K-T	T	100.5/66.0
C202	4030016790	S.CER C1005 JB 1E 103K-T	T	99.4/66.0
C1001	4030019120	S.CER GRM188B31E105KA75D	T	74.7/11.5
C1002	4030019120	S.CER GRM188B31E105KA75D	T	70.3/10.5
C1003	4030016790	S.CER C1005 JB 1E 103K-T	T	70.2/8.5
C1020	4030017780	S.CER C1005 JB 1H 472K-T	T	89.9/13.1
C1021	4030019990	S.CER C1005 JB 1C 104K-T	T	92.6/9.2
C1022	4030019990	S.CER C1005 JB 1C 104K-T	T	93.5/9.2
C1023	4030019990	S.CER C1005 JB 1C 104K-T	T	96.2/8.3
C1024	4030019990	S.CER C1005 JB 1C 104K-T	T	93.1/19.6
C1031	4030017780	S.CER C1005 JB 1H 472K-T	T	97.3/15.7
C1033	4030019990	S.CER C1005 JB 1C 104K-T	T	96.1/22.3
C1034	4030017760	S.CER C1005 JB 1H 222K-T	T	95.4/26.4
C1041	4030019990	S.CER C1005 JB 1C 104K-T	T	91.5/30.2
C1042	4030019990	S.CER C1005 JB 1C 104K-T	T	90.6/30.2
C1043	4030019990	S.CER C1005 JB 1C 104K-T	T	94.1/31.8
C1044	4030019990	S.CER C1005 JB 1C 104K-T	T	92.2/20.9
C1045	4030019990	S.CER C1005 JB 1C 104K-T	T	88.2/26.4
C1051	4030016790	S.CER C1005 JB 1E 103K-T	T	84.4/31.9
C1052	4030019990	S.CER C1005 JB 1C 104K-T	T	83.3/29.1
C1053	4030019990	S.CER C1005 JB 1C 104K-T	T	80.6/30.4
C1055	4030019990	S.CER C1005 JB 1C 104K-T	T	83.5/23.6
C1056	4030019990	S.CER C1005 JB 1C 104K-T	T	80.7/27.0
C1061	4030019460	S.CER C1608 JB 0J 106M-T	T	65.1/11.8
C1062	4030019620	S.CER GRM188B31C225KE14D	T	64.1/6.7
C1071	4030019990	S.CER C1005 JB 1C 104K-T	T	75.5/12.9
C1081	4030019120	S.CER GRM188B31E105KA75D	T	70.7/15.6
C1082	4030019990	S.CER C1005 JB 1C 104K-T	T	75.0/15.1
C1083	4030019120	S.CER GRM188B31E105KA75D	T	68.6/18.5
C1084	4030019990	S.CER C1005 JB 1C 104K-T	T	75.5/22.3
C1085	4030019990	S.CER C1005 JB 1C 104K-T	T	68.2/26.1
C1091	4030019990	S.CER C1005 JB 1C 104K-T	T	6.8/76.2
C1092	4030019990	S.CER C1005 JB 1C 104K-T	T	4.2/71.5
C1101	4030019120	S.CER GRM188B31E105KA75D	T	76.5/29.4
C1102	4030019990	S.CER C1005 JB 1C 104K-T	T	73.8/25.8
C1103	4030018600	S.CER C1608 CH 1H 152J-T	T	73.8/28.0
C1104	4030020930	S.CER C1608 CH 1H 682J-T	T	73.1/30.0
C1105	4030020840	S.CER C1608 CH 1H 272J-T	T	72.4/32.0
C1106	4030011540	S.CER C1608 CH 1H 750J-T	T	67.0/39.4
C1107	4030007140	S.CER C1608 CH 1H 121J-T	T	62.4/39.4
C1108	4030011540	S.CER C1608 CH 1H 750J-T	T	59.7/39.4
C1111	4030019990	S.CER C1005 JB 1C 104K-T	T	93.8/39.0
C1112	4030019990	S.CER C1005 JB 1C 104K-T	T	96.3/43.4
C1113	4030018600	S.CER C1608 CH 1H 152J-T	T	94.2/43.4
C1115	4030019570	S.CER C1608 CH 1H 332J-T	T	93.2/49.1
C1117	4030018600	S.CER C1608 CH 1H 152J-T	T	95.4/53.1
C1121	4030019990	S.CER C1005 JB 1C 104K-T	T	8.2/39.1
C1122	4030019990	S.CER C1005 JB 1C 104K-T	T	7.5/40.0
C1123	4030018620	S.CER C1608 CH 1H 222J-T	T	11.4/46.7
C1125	4030017810	S.CER C1608 CH 1H 102J-T	T	10.8/56.6
C1127	4030018620	S.CER C1608 CH 1H 222J-T	T	10.8/65.6
C1129	4030019990	S.CER C1005 JB 1C 104K-T	T	6.2/68.5
C1131	4030019990	S.CER C1005 JB 1C 104K-T	T	14.2/42.2
C1132	4030019990	S.CER C1005 JB 1C 104K-T	T	15.1/44.1
C1133	4030018620	S.CER C1608 CH 1H 222J-T	T	17.6/42.9
C1135	4030017870	S.CER C1608 CH 1H 681J-T	T	16.3/50.4
C1137	4030018620	S.CER C1608 CH 1H 222J-T	T	17.1/60.7
C1139	4030019990	S.CER C1005 JB 1C 104K-T	T	14.4/66.4
C1141	4030019990	S.CER C1005 JB 1C 104K-T	T	22.1/38.9
C1142	4030019990	S.CER C1005 JB 1C 104K-T	T	20.3/39.9
C1143	4030018620	S.CER C1608 CH 1H 222J-T	T	26.0/42.0
C1145	4030011330	S.CER C1608 CH 1H 391J-T	T	21.5/48.9
C1147	4030018620	S.CER C1608 CH 1H 222J-T	T	22.6/58.0
C1149	4030019990	S.CER C1005 JB 1C 104K-T	T	20.5/59.3
C1151	4030019990	S.CER C1005 JB 1C 104K-T	T	28.7/41.2
C1152	4030019990	S.CER C1005 JB 1C 104K-T	T	28.8/43.8
C1153	4030018600	S.CER C1608 CH 1H 152J-T	T	28.1/48.8
C1155	4030007170	S.CER C1608 CH 1H 221J-T	T	26.7/52.2
C1157	4030018600	S.CER C1608 CH 1H 152J-T	T	29.1/61.9
C1159	4030019990	S.CER C1005 JB 1C 104K-T	T	26.9/62.1
C1161	4030019990	S.CER C1005 JB 1C 104K-T	T	31.8/41.0
C1162	4030019990	S.CER C1005 JB 1C 104K-T	T	32.2/43.5
C1163	4030018590	S.CER C1608 CH 1H 122J-T	T	33.4/45.9
C1165	4030010750	S.CER C1608 CH 1H 201J-T	T	32.9/48.0
C1167	4030018590	S.CER C1608 CH 1H 122J-T	T	33.9/60.1
C1169	4030019990	S.CER C1005 JB 1C 104K-T	T	32.6/57.7
C1171	4030019990	S.CER C1005 JB 1C 104K-T	T	38.0/43.5
C1172	4030019990	S.CER C1005 JB 1C 104K-T	T	37.1/44.4
C1173	4030017870	S.CER C1608 CH 1H 681J-T	T	39.5/50.0
C1175	4030007160	S.CER C1608 CH 1H 181J-T	T	38.9/51.8
C1177	4030017870	S.CER C1608 CH 1H 681J-T	T	39.6/61.8
C1179	4030019990	S.CER C1005 JB 1C 104K-T	T	37.1/61.8
C1181	4030019990	S.CER C1005 JB 1C 104K-T	T	41.4/40.9
C1182	4030019990	S.CER C1005 JB 1C 104K-T	T	42.0/42.1
C1183	4030017800	S.CER C1608 CH 1H 561J-T	T	46.9/42.5
C1185	4030007140	S.CER C1608 CH 1H 121J-T	T	43.3/46.8
C1187	4030017800	S.CER C1608 CH 1H 561J-T	T	44.3/60.0
C1189	4030019990	S.CER C1005 JB 1C 104K-T	T	43.1/57.3
C1191	4030019990	S.CER C1005 JB 1C 104K-T	T	47.2/44.9
C1192	4030019990	S.CER C1005 JB 1C 104K-T	T	47.2/47.5
C1193	4030011330	S.CER C1608 CH 1H 391J-T	T	49.3/45.3
C1195	4030007120	S.CER C1608 CH 1H 820J-T	T	49.0/51.8
C1197	4030011330	S.CER C1608 CH 1H 391J-T	T	49.3/61.0
C1199	4030019990	S.CER C1005 JB 1C 104K-T	T	47.1/61.0
C1201	4030019990	S.CER C1005 JB 1C 104K-T	T	51.1/40.8
C1202	4030019990	S.CER C1005 JB 1C 104K-T	T	51.6/42.0
C1203	4030011280	S.CER C1608 CH 1H 271J-T	T	54.4/40.9
C1205	4030007110	S.CER C1608 CH 1H 680J-T	T	54.2/48.0
C1207	4030011280	S.CER C1608 CH 1H 271J-T	T	54.6/58.4
C1209	4030019990	S.CER C1005 JB 1C 104K-T	T	53.4/57.3
C1211	4030019990	S.CER C1005 JB 1C 104K-T	T	87.3/44.0
C1212	4030019990	S.CER C1005 JB 1C 104K-T	T	88.1/45.6
C1213	4030007100	S.CER C1608 CH 1H 560J-T	T	90.2/44.7

Eqv.= This component is equivalent to the REF No. component listed above, and may be substituted on parts orders and repairs.

[RF UNIT]

REF NO.	PARTS NO.	DESCRIPTION	M.	H/V LOCATION
C1215	4030007120	S.CER C1608 CH 1H 820J-T	T	91.0/46.5
C1217	4030007100	S.CER C1608 CH 1H 560J-T	T	90.7/53.8
C1219	4030019990	S.CER C1005 JB 1C 104K-T	T	88.0/53.5
C1220	4030019990	S.CER C1005 JB 1C 104K-T	T	76.9/70.4
C1221	4030019990	S.CER C1005 JB 1C 104K-T	T	76.9/41.0
C1222	4030019990	S.CER C1005 JB 1C 104K-T	T	76.9/43.5
C1223	4030007100	S.CER C1608 CH 1H 560J-T	T	81.1/44.1
C1224	4030007170	S.CER C1608 CH 1H 221J-T	T	79.2/43.4
C1225	4030011540	S.CER C1608 CH 1H 750J-T	T	80.4/46.7
C1226	4030007100	S.CER C1608 CH 1H 560J-T	T	77.4/53.8
C1227	4030007070	S.CER C1608 CH 1H 330J-T	T	78.1/55.2
C1228	4030007110	S.CER C1608 CH 1H 680J-T	T	77.4/59.7
C1229	4030007040	S.CER C1608 CH 1H 180J-T	T	80.6/62.7
C1230	4030007080	S.CER C1608 CH 1H 390J-T	T	77.7/65.8
C1231	4030019990	S.CER C1005 JB 1C 104K-T	T	82.7/47.6
C1232	4030019990	S.CER C1005 JB 1C 104K-T	T	84.1/43.4
C1233	4030007110	S.CER C1608 CH 1H 680J-T	T	85.1/48.3
C1234	4030009990	S.CER C1608 CH 1H 200J-T	T	85.1/52.7
C1235	4030007090	S.CER C1608 CH 1H 470J-T	T	82.4/53.9
C1239	4030019990	S.CER C1005 JB 1C 104K-T	T	83.6/64.3
C1241	4030019990	S.CER C1005 JB 1C 104K-T	T	60.0/49.0
C1242	4030019990	S.CER C1005 JB 1C 104K-T	T	60.0/48.1
C1243	4030010750	S.CER C1608 CH 1H 201J-T	T	63.8/48.1
C1245	4030007000	S.CER C1608 CH 1H 090D-T	T	64.6/51.2
C1247	4030010750	S.CER C1608 CH 1H 201J-T	T	61.1/56.0
C1249	4030019990	S.CER C1005 JB 1C 104K-T	T	60.3/57.6
C1250	4030007090	S.CER C1608 CH 1H 470J-T	T	60.3/60.6
C1251	4030007110	S.CER C1608 CH 1H 680J-T	T	61.0/62.5
C1252	4030007130	S.CER C1608 CH 1H 101J-T ATEX	T	60.3/64.4
C1253	4030007070	S.CER C1608 CH 1H 330J-T	T	62.9/65.7
C1254	4030007120	S.CER C1608 CH 1H 820J-T	T	63.0/65.7
C1255	4030007060	S.CER C1608 CH 1H 270J-T	T	64.6/71.8
C1256	4030007090	S.CER C1608 CH 1H 470J-T	T	60.0/71.9
C1257	4030019990	S.CER C1005 JB 1C 104K-T	[#03]	62.6/50.3
	4030019990	S.CER C1005 JB 1C 104K-T	[#05]	
	4030019990	S.CER C1005 JB 1C 104K-T	[#06]	
C1261	4030019990	S.CER C1005 JB 1C 104K-T	[#03]	T 69.2/39.7
	4030019990	S.CER C1005 JB 1C 104K-T	[#05]	
	4030019990	S.CER C1005 JB 1C 104K-T	[#06]	
C1262	4030019990	S.CER C1005 JB 1C 104K-T	[#03]	T 69.1/42.1
	4030019990	S.CER C1005 JB 1C 104K-T	[#05]	
	4030019990	S.CER C1005 JB 1C 104K-T	[#06]	
C1263	4030007130	S.CER C1608 CH 1H 101J-T ATEX	[#03]	T 69.6/43.6
	4030007130	S.CER C1608 CH 1H 101J-T ATEX	[#05]	
	4030007130	S.CER C1608 CH 1H 101J-T ATEX	[#06]	
C1265	4030007020	S.CER C1608 CH 1H 120J-T	[#03]	T 72.8/44.3
	4030007020	S.CER C1608 CH 1H 120J-T	[#05]	
	4030007020	S.CER C1608 CH 1H 120J-T	[#06]	
C1267	4030007130	S.CER C1608 CH 1H 101J-T ATEX	[#03]	T 67.9/50.7
	4030007130	S.CER C1608 CH 1H 101J-T ATEX	[#05]	
	4030007130	S.CER C1608 CH 1H 101J-T ATEX	[#06]	
C1269	4030007070	S.CER C1608 CH 1H 330J-T	[#03]	T 67.9/54.1
	4030007070	S.CER C1608 CH 1H 330J-T	[#05]	
	4030007070	S.CER C1608 CH 1H 330J-T	[#06]	
C1270	4030007030	S.CER C1608 CH 1H 150J-T	[#03]	T 70.9/55.7
	4030007030	S.CER C1608 CH 1H 150J-T	[#05]	
	4030007030	S.CER C1608 CH 1H 150J-T	[#06]	
C1271	4030011540	S.CER C1608 CH 1H 750J-T	[#03]	T 67.9/55.8
	4030011540	S.CER C1608 CH 1H 750J-T	[#05]	
	4030011540	S.CER C1608 CH 1H 750J-T	[#06]	
C1272	4030006990	S.CER C1608 CH 1H 080D-T	[#03]	T 68.6/58.1
	4030006990	S.CER C1608 CH 1H 080D-T	[#05]	
	4030006990	S.CER C1608 CH 1H 080D-T	[#06]	
C1273	4030007090	S.CER C1608 CH 1H 470J-T	[#03]	T 67.9/60.3
	4030007090	S.CER C1608 CH 1H 470J-T	[#05]	
	4030007090	S.CER C1608 CH 1H 470J-T	[#06]	
C1274	4030007120	S.CER C1608 CH 1H 820J-T	[#03]	T 72.5/61.9
	4030007120	S.CER C1608 CH 1H 820J-T	[#05]	
	4030007120	S.CER C1608 CH 1H 820J-T	[#06]	
C1275	4030007090	S.CER C1608 CH 1H 470J-T	[#03]	T 70.2/61.5
	4030007090	S.CER C1608 CH 1H		

[RF UNIT]

REF NO.	PARTS NO.	DESCRIPTION	M.	H/V LOCATION
C1321	4030017460	S.CER C1005 JB 1H 102K-T	T	38.3/5.7
C1322	4030017460	S.CER C1005 JB 1H 102K-T	T	37.8/16.4
C1323	4030017460	S.CER C1005 JB 1H 102K-T	T	37.3/5.7
C1324	4030017460	S.CER C1005 JB 1H 102K-T	T	36.8/16.4
C1325	4030017460	S.CER C1005 JB 1H 102K-T	T	36.3/5.7
C1326	4030017460	S.CER C1005 JB 1H 102K-T	T	35.8/16.4
C1401	4030019990	S.CER C1005 JB 1C 104K-T	T	35.4/72.7
C1402	4030019990	S.CER C1005 JB 1C 104K-T	T	26.7/70.9
C1411	4030019990	S.CER C1005 JB 1C 104K-T	T	38.5/69.6
C1412	4030019560	S.CER GRM21BB31C106KE15L	T	53.6/71.3
C1413	4030019120	S.CER GRM188B31E105KA75D	T	52.0/70.1
C1414	4030019120	S.CER GRM188B31E105KA75D	T	48.8/70.1
C1415	4030019120	S.CER GRM188B31E105KA75D	T	50.4/80.3
C1416	4030019120	S.CER GRM188B31E105KA75D	T	48.8/80.3
C1417	4030019120	S.CER GRM188B31E105KA75D	T	38.9/75.1
C1418	4030017640	S.CER C1005 CH 1H 150J-T	T	54.6/74.3
C1419	4030019120	S.CER GRM188B31E105KA75D	T	45.8/82.0
C1420	4030019120	S.CER GRM188B31E105KA75D	T	59.8/84.9
C1421	4030019120	S.CER GRM188B31E105KA75D	T	62.6/82.1
C1422	4030019990	S.CER C1005 JB 1C 104K-T	T	41.0/84.5
C1423	4030019120	S.CER GRM188B31E105KA75D	T	51.0/85.1
C1424	4030019990	S.CER C1005 JB 1C 104K-T	T	44.8/86.8
C1425	4030019990	S.CER C1005 JB 1C 104K-T	T	41.0/81.6
C1426	4030019120	S.CER GRM188B31E105KA75D	T	51.0/86.4
C1431	4030019990	S.CER C1005 JB 1C 104K-T	T	31.1/80.8
C1501	4030019990	S.CER C1005 JB 1C 104K-T	T	49.0/29.5
C1502	4030019990	S.CER C1005 JB 1C 104K-T	T	35.0/28.3
C1551	4030019620	S.CER GRM188B31C225KE14D	T	36.3/21.7
C1553	4030017460	S.CER C1005 JB 1H 102K-T	T	36.2/23.5
C1561	4030016790	S.CER C1005 JB 1E 103K-T	T	41.8/26.9
C1562	4030019990	S.CER C1005 JB 1C 104K-T	T	43.1/26.5
C1565	4030019120	S.CER GRM188B31E105KA75D	T	41.6/33.2
C1569	4030008770	S.CER C1608 JB 1H 562K-T	T	43.6/30.3
C1571	4030019990	S.CER C1005 JB 1C 104K-T	T	54.9/17.7
RL101	6330002020	REL FTR-B4CA009Z		
J101	6450002520	CON RL-1515-2(B,B)-L <Kuo>		
J201	6510031660	CON LGR4609-7100F		
J1001	6510028210	CON SJ050010 (TMP-J01X-V6)		
J1071	6510028210	CON SJ050010 (TMP-J01X-V6)		
J1311	6510021722	S.CON 30FLT-SM2-TB(LF)(SN)(M)	T	42.0/11.0
J1431	6510028210	CON SJ050010 (TMP-J01X-V6)		
EP101	6910023350	S.BEA MMZ1005B601CT	T	97.5/37.1
EP102	6910018930	S.BEA MPZ2012S601A	T	103.8/26.4
EP201	6910023350	S.BEA MMZ1005B601CT	T	100.5/68.1
EP202	6910023350	S.BEA MMZ1005B601CT	T	99.4/68.1
EP1021	6910018460	S.BEA MMZ1005Y102C-T	T	94.3/19.1
EP1022	6910018460	S.BEA MMZ1005Y102C-T	T	96.2/9.9
EP1041	6910018460	S.BEA MMZ1005Y102C-T	T	93.4/21.3
EP1042	6910018460	S.BEA MMZ1005Y102C-T	T	93.3/30.2
EP1051	6910018460	S.BEA MMZ1005Y102C-T	T	81.5/31.5
EP1053	6910018460	S.BEA MMZ1005Y102C-T	T	81.9/27.5
EP1311	6910019900	S.BEA MPZ1608S601AT	T	50.0/7.6
EP1312	6910019900	S.BEA MPZ1608S601AT	T	49.4/14.0
EP1313	6910023350	S.BEA MMZ1005B601CT	T	46.8/14.3
EP1314	6910021240	S.BEA MMZ1005A152ET	T	39.3/7.9
EP1315	6910021240	S.BEA MMZ1005A152ET	T	38.8/14.3
EP1316	6910021240	S.BEA MMZ1005A152ET	T	38.3/7.9
EP1317	6910021240	S.BEA MMZ1005A152ET	T	37.8/14.3
EP1318	6910021240	S.BEA MMZ1005A152ET	T	37.3/7.9
EP1319	6910021240	S.BEA MMZ1005A152ET	T	36.8/14.3
EP1320	6910021240	S.BEA MMZ1005A152ET	T	36.3/7.9
EP1321	6910021240	S.BEA MMZ1005A152ET	T	35.8/14.3

Eqv.= This component is equivalent to the REF No. component listed above, and may be substituted on parts orders and repairs.

[PA UNIT]

REF NO.	PARTS NO.	DESCRIPTION	M.	H/V LOCATION
IC211	1110007950	S.IC INA199A2DCKR	T	98.6/90.2
IC221	1180002080	S.REG BA09FP-E2J	T	105.4/72.7
IC751	1130010550	S.IC SN74AHC595PWR	T	20.5/81.0
IC981	1110008550	S.IC NJM2904CRB1-TE1-#HMZR	T	9.9/72.1
Q101	1560001091	S.FET 2SK2854(T2LICOMF)	T	19.3/165.5
Q111	1560001550	S.FET RD01MUS2-T113	T	30.0/161.9
Q121	1560001530	FET RD15HVF1-101		
Q131	1560001591	FET RD70HVF1C-121		
Q132	1560001591	FET RD70HVF1C-121		
Q221	1590005140	S.FET TJS0S06M3L(T6L1NQ	T	107.0/82.3
Q222	1560002190	S.FET RUM002N02T2L	T	112.5/81.8
Q341	1590004690	S.TRA LDTC143ZET1G <SLVJ>	T	10.9/103.8
Q342	1590004310	S.TRA LDTA114EET1G <SLVJ>	T	13.2/103.8
Q771	1590004690	S.TRA LDTC143ZET1G <SLVJ>	T	28.0/73.7
Q772	1590004690	S.TRA LDTC143ZET1G <SLVJ>	T	28.0/75.8
Q773	1590004690	S.TRA LDTC143ZET1G <SLVJ>	T	28.0/77.9
Q774	1590004690	S.TRA LDTC143ZET1G <SLVJ>	T	28.0/80.0
Q775	1590004690	S.TRA LDTC143ZET1G <SLVJ>	T	28.0/82.1
Q776	1590004690	S.TRA LDTC143ZET1G <SLVJ>	T	28.0/84.2
Q777	1590004690	S.TRA LDTC143ZET1G <SLVJ>	T	28.0/86.3
Q778	1590004690	S.TRA LDTC143ZET1G <SLVJ>	T	28.0/88.4
Q781	1590004040	S.TRA LDTA123YET1G <SLVJ>	T	30.4/73.2
Q782	1590004040	S.TRA LDTA123YET1G <SLVJ>	T	30.4/75.3
Q783	1590004040	S.TRA LDTA123YET1G <SLVJ>	T	30.4/77.4
Q784	1590004040	S.TRA LDTA123YET1G <SLVJ>	T	30.4/79.5
Q785	1590004040	S.TRA LDTA123YET1G <SLVJ>	T	30.4/81.6
Q786	1590004040	S.TRA LDTA123YET1G <SLVJ>	T	30.4/83.7
Q787	1590004040	S.TRA LDTA123YET1G <SLVJ>	T	30.4/85.8
Q811	1530003960	S.TRA KTC2875-B-RTK/P	T	44.2/4.7
D101	1750001180	S.DIO KDS122 RTK/P	T	12.3/157.8
D102	1750001180	S.DIO KDS122 RTK/P	T	14.8/157.8
D171	1750001810	S.DIO L1SS400T1G <SLVJ>	T	66.4/126.3
D172	1750001810	S.DIO L1SS400T1G <SLVJ>	T	37.5/126.3
D201	1750002000	S.ZEN DZ2J180MOL	T	86.4/132.6
D202	1710000831	S.DIO DF30SC4M-7072	T	97.5/130.4
D301	1750002230	S.DIO LRB751S-40T1G <SLVJ>	T	76.7/133.4
D302	1750002230	S.DIO LRB751S-40T1G <SLVJ>	T	27.4/133.4
D801	1750001180	S.DIO KDS122 RTK/P	T	76.9/6.8
D811	1750003100	S.DIO BAR64-02V H6327 <R YOYO>	T	50.7/4.8
D812	1750003100	S.DIO BAR64-02V H6327 <R YOYO>	T	47.7/4.8
D820	1750001180	S.DIO KDS122 RTK/P	T	41.7/58.3
D840	1750001180	S.DIO KDS122 RTK/P	T	99.5/64.8
D860	1750001180	S.DIO KDS122 RTK/P	T	87.3/64.8
D880	1750001180	S.DIO KDS122 RTK/P	T	53.6/58.3
D900	1750001180	S.DIO KDS122 RTK/P	T	15.2/58.8
D920	1750001180	S.DIO KDS122 RTK/P	T	111.4/64.8
D940	1750001180	S.DIO KDS122 RTK/P	T	29.1/58.3
D961	1750002230	S.DIO LRB751S-40T1G <SLVJ>	T	84.3/2.2
D962	1750002230	S.DIO LRB751S-40T1G <SLVJ>	T	98.1/2.2
D965	1750001810	S.DIO L1SS400T1G <SLVJ>	T	24.3/88.9
D966	1750001810	S.DIO L1SS400T1G <SLVJ>	T	24.3/87.6
L101	6200005051	S.COI NLV25T-330J-PF	B	65.0/49.2
L112	6200005131	S.COI NLC45323T-101K-PF	T	32.8/156.5
L121	6200010160	S.COI AS080440-22N	T	43.6/150.8
L131	6140005580	COI LR-606 <KN>		
L132	6140005300	COI LR-580 (TRB10X5X5 6DB)		
L133	6140005570	COI LR-605 <KN>		
L134	6140004570	COI LR-507		
L306	6110001730	COI LA-262		
L331	6200003241	S.COI NLV32T-221J-PF	T	12.3/140.4
L332	6200003241	S.COI NLV32T-221J-PF	T	12.3/143.4
L711	6200002041	S.COI NLV25T-101J-PF	T	102.4/66.9
L801	6200010650	S.COI C2520C-R12G-A (0.12U)	T	62.3/4.0
L802	6200010650	S.COI C2520C-R12G-A (0.12U)	T	66.7/5.0
L803	6200002041	S.COI NLV25T-101J-PF	T	76.9/4.3
L820	6200002041	S.COI NLV25T-101J-PF	T	38.9/58.7
L822	6110002900	COI LA-479		
L823	6140003460	COI LR-388 (T50-10)		
L831	6200002041	S.COI NLV25T-101J-PF	T	52.5/11.3
L840	6200002041	S.COI NLV25T-101J-PF	T	96.7/65.1
L841	6140001820	COI LR-218 (T50-10)		
L842	6140001800	COI LR-216 (T50-2)		
L851	6200002041	S.COI NLV25T-101J-PF	T	97.3/18.0
L860	6200002041	S.COI NLV25T-101J-PF	T	82.6/65.1
L861	6110003980	COI LA-604		
L862	6110003880	COI LA-590		
L863	6110003550	COI LA-547 (LA-214A)		
L871	6200002041	S.COI NLV25T-101J-PF	T	82.7/17.4
L880	6200002041	S.COI NLV25T-101J-PF	T	50.8/58.7
L881	6140002570	COI LR-294 (T50-2)		
L882	6140002580	COI LR-295 (T50-2)		
L891	6200002041	S.COI NLV25T-101J-PF	T	67.3/10.4
L900	6200002041	S.COI NLV25T-101J-PF	T	12.4/59.4
L901	6140002560	COI LR-293 (T50-10)		
L902	6140002560	COI LR-293 (T50-10)		
L903	6140002560	COI LR-293 (T50-10)		
L911	6200002041	S.COI NLV25T-101J-PF	T	23.0/11.3
L920	6200002041	S.COI NLV25T-101J-PF	T	108.6/64.3
L921	6140001800	COI LR-216 (T50-2)		
L922	6140001780	COI LR-214 (T50-2)		
L931	6200002041	S.COI NLV25T-101J-PF	T	112.0/18.6
L940	6200002041	S.COI NLV25T-101J-PF	T	26.3/58.7
L942	6140003540	COI LR-396		
L943	6140002020	COI LR-229 (T50-10)		
L951	6200002041	S.COI NLV25T-101J-PF	T	37.8/11.3
L952	6200002041	S.COI NLV25T-101J-PF	T	3.3/58.5
L961	6140004721	COI LR-532A		
L981	6200002041	S.COI NLV25T-101J-PF	T	14.1/71.0

M.=Mounted side (T: Mounted on the Top side, B: Mounted on the Bottom side) S.=Surface mount

[PA UNIT]

Table with columns: REF NO., PARTS NO., DESCRIPTION, M., H/V LOCATION. Contains parts R101 through R992 and C102 through C142.

Eqv.= This component is equivalent to the REF No. component listed above, and may be substituted on parts orders and repairs.

[PA UNIT]

Table with columns: REF NO., PARTS NO., DESCRIPTION, M., H/V LOCATION. Contains parts C143 through C864.

M.=Mounted side (T: Mounted on the Top side, B: Mounted on the Bottom side) S.=Surface mount

[PA UNIT]

REF NO.	PARTS NO.	DESCRIPTION	M.	H/V LOCATION
C865	4030011080	S.CER GRM31M2C2H6R0DV01L (GRM42-6)	T	63.8/34.2
C866	4030020760	S.CER GRM31A5C2J270JW01D	T	63.8/25.3
C868	4030020770	S.CER GRM31A5C2J330JW01D	T	63.8/29.5
C869	4030020770	S.CER GRM31A5C2J330JW01D	T	63.0/18.5
C871	4030019990	S.CER C1005 JB 1C 104K-T	T	80.9/17.4
C875	4030021200	S.CER GRM31A5C2J120JW01D	T	64.8/21.9
C876	4030020760	S.CER GRM31A5C2J270JW01D	T	63.8/27.4
C877	4030020770	S.CER GRM31A5C2J330JW01D	T	61.1/52.6
C881	4030019990	S.CER C1005 JB 1C 104K-T	T	53.2/56.5
C882	4030021220	S.CER GRM31B5C2J681JW01L	T	57.8/43.2
C883	4030021220	S.CER GRM31B5C2J681JW01L	T	56.3/46.9
C884	4030020720	S.CER GRM31A5C2J391JW01D	T	56.3/39.6
C885	4030021220	S.CER GRM31B5C2J681JW01L	T	57.9/33.6
C886	4030018480	S.CER GRM31A5C2J221JW01D	T	51.6/31.5
C888	4030021220	S.CER GRM31B5C2J681JW01L	T	51.4/23.8
C889	4030020810	S.CER GRM31A5C2J820JW01D	T	52.7/19.7
C890	4030021220	S.CER GRM31B5C2J681JW01L	T	57.0/18.0
C891	4030019990	S.CER C1005 JB 1C 104K-T	T	65.5/11.3
C893	4030021220	S.CER GRM31B5C2J681JW01L	T	51.0/27.4
C894	4030018350	S.CER GRM31A5C2J151JW01D	T	57.9/35.7
C896	4030021220	S.CER GRM31B5C2J681JW01L	T	57.0/22.2
C897	4030018480	S.CER GRM31A5C2J221JW01D	T	57.0/20.1
C899	4030020800	S.CER GRM31A5C2J680JW01D	T	49.9/19.7
C901	4030019990	S.CER C1005 JB 1C 104K-T	T	14.8/57.1
C902	4030021020	S.CER GRM31A5C2J101JW01D	T	5.8/38.2
C903	4030021020	S.CER GRM31A5C2J101JW01D	T	5.8/40.3
C904	4030020760	S.CER GRM31A5C2J270JW01D	T	11.0/40.3
C905	4030020810	S.CER GRM31A5C2J820JW01D	T	11.0/38.2
C906	4030021020	S.CER GRM31A5C2J101JW01D	T	5.8/27.1
C907	4030021020	S.CER GRM31A5C2J101JW01D	T	5.8/25.0
C908	4030020790	S.CER GRM31A5C2J560JW01D	T	11.0/26.1
C909	4030020800	S.CER GRM31A5C2J680JW01D	T	6.5/14.0
C911	4030019990	S.CER C1005 JB 1C 104K-T	T	21.3/11.9
C921	4030019990	S.CER C1005 JB 1C 104K-T	T	110.9/63.0
C922	4030021040	S.CER GRM31A5C2J271JW01D	T	102.7/53.2
C923	4030021040	S.CER GRM31A5C2J271JW01D	T	100.6/47.5
C924	4030021040	S.CER GRM31A5C2J271JW01D	T	101.5/39.6
C925	4030020810	S.CER GRM31A5C2J820JW01D	T	103.0/36.0
C926	4030018340	S.CER GRM31A5C2J331JW01D	T	101.5/43.9
C927	4030021040	S.CER GRM31A5C2J271JW01D	T	101.5/26.6
C928	4030018340	S.CER GRM31A5C2J331JW01D	T	101.5/24.5
C929	4030018340	S.CER GRM31A5C2J331JW01D	T	101.5/41.8
C931	4030019990	S.CER C1005 JB 1C 104K-T	T	110.3/18.6
C933	4030021030	S.CER GRM31A5C2J181JW01D	T	100.6/53.2
C934	4030018350	S.CER GRM31A5C2J151JW01D	T	102.7/47.5
C941	4030019990	S.CER C1005 JB 1C 104K-T	T	28.7/56.5
C944	4030021010	S.CER GRM31A5C2J390JW01D	T	27.9/48.1
C945	4030020790	S.CER GRM31A5C2J560JW01D	T	26.4/44.6
C946	4030020780	S.CER GRM31A5C2J470JW01D	T	26.4/39.0
C949	4030021020	S.CER GRM31A5C2J101JW01D	T	27.5/28.6
C950	4030020760	S.CER GRM31A5C2J270JW01D	T	26.2/25.0
C951	4030019990	S.CER C1005 JB 1C 104K-T	T	36.0/11.9
C953	4030020780	S.CER GRM31A5C2J470JW01D	T	27.7/17.2
C954	4030020790	S.CER GRM31A5C2J560JW01D	T	27.7/19.3
C961	4030011040	S.CER GRM31M4C2H2R0CY21L (GRM42-6)	T	83.9/9.5
C962	4030009920	S.CER C1608 CH 1H 050B-T	T	84.3/5.5
C963	4030011540	S.CER C1608 CH 1H 750J-T	T	83.0/5.5
C966	4030008650	S.CER C1608 JB 1H 332K-T	T	96.7/2.2
C969	4030011040	S.CER GRM31M4C2H2R0CY21L (GRM42-6)	T	97.1/9.5
C970	4030011540	S.CER C1608 CH 1H 750J-T	T	96.7/5.5
C971	4030009920	S.CER C1608 CH 1H 050B-T	T	98.1/5.5
C972	4030011040	S.CER GRM31M4C2H2R0CY21L (GRM42-6)	T	99.4/12.4
C983	4030017460	S.CER C1005 JB 1H 102K-T	T	7.4/67.5
C985	4030019990	S.CER C1005 JB 1C 104K-T	T	12.3/70.5
C986	4030017460	S.CER C1005 JB 1H 102K-T	T	3.8/10.1
C987	4030017730	S.CER C1005 JB 1H 471K-T	T	2.8/11.2
RL801	6330002020	REL FTR-B4CA009Z		
RL820	6330002020	REL FTR-B4CA009Z		
RL821	6330002020	REL FTR-B4CA009Z		
RL840	6330002020	REL FTR-B4CA009Z		
RL841	6330002020	REL FTR-B4CA009Z		
RL860	6330002020	REL FTR-B4CA009Z		
RL861	6330002020	REL FTR-B4CA009Z		
RL880	6330002020	REL FTR-B4CA009Z		
RL881	6330002020	REL FTR-B4CA009Z		
RL900	6330002020	REL FTR-B4CA009Z		
RL901	6330002020	REL FTR-B4CA009Z		
RL920	6330002020	REL FTR-B4CA009Z		
RL921	6330002020	REL FTR-B4CA009Z		
RL940	6330002020	REL FTR-B4CA009Z		
RL941	6330002020	REL FTR-B4CA009Z		
J101	6510028210	CON SJ050010 (TMP-J01X-V6)		
J301	6510022472	S.CON 40FLT-SM2-TB(LF)(SN)(M)	T	9.5/89.0
J331	6510018971	S.CON B4B-PH-SM4-TB(LF)(SN)	T	5.0/144.4
J801	6510028210	CON SJ050010 (TMP-J01X-V6)		
J961	6510028210	CON SJ050010 (TMP-J01X-V6)		
F2	5210000940	FUS 1205		
F201	5220000400	HOL FHA010-01F		
EP111	6910014690	S.BEA MPZ1608S221A-T	T	26.6/154.9
EP121	6910012350	S.BEA MMZ1608Y 102BT	T	34.1/166.3
EP131	6910014640	S.BEA MPZ2012S221A-T	T	71.8/149.1
EP132	6910014640	S.BEA MPZ2012S221A-T	T	71.8/150.9
EP301	6910020910	S.BEA MPZ1608S300AT	T	6.1/81.3

Eqv.= This component is equivalent to the REF No. component listed above, and may be substituted on parts orders and repairs.

[PA UNIT]

REF NO.	PARTS NO.	DESCRIPTION	M.	H/V LOCATION
EP302	6910019100	S.BEA MPZ1608S101AT	T	6.1/85.3
EP303	6910021240	S.BEA MMZ1005A152ET	T	6.5/91.3
EP305	6910021240	S.BEA MMZ1005A152ET	T	12.9/92.8
EP306	6910021240	S.BEA MMZ1005A152ET	T	12.9/93.8
EP307	6910021240	S.BEA MMZ1005A152ET	T	6.5/94.3
EP308	6910021240	S.BEA MMZ1005A152ET	T	12.9/94.8
EP309	6910021240	S.BEA MMZ1005A152ET	T	6.5/95.3
EP311	6910021240	S.BEA MMZ1005A152ET	T	6.5/96.3
EP312	6910021240	S.BEA MMZ1005A152ET	T	12.9/96.8
EP331	6910018930	S.BEA MPZ2012S601A	T	11.9/145.8
EP332	6910018930	S.BEA MPZ2012S601A	T	10.9/148.6

M.=Mounted side (T: Mounted on the Top side, B: Mounted on the Bottom side) S.=Surface mount

[TUNER UNIT]

REF NO.	PARTS NO.	DESCRIPTION	M.	H/V LOCATION
IC1701	1110008620	S.IC BA2903SFVM-TR	T	14.1/48.9
IC1901	1110008550	S.IC NJM2904CRB1-TE1-#HMZR	T	34.8/12.5
IC2811	1130009670	S.IC BU2092FV-E2	T	22.5/22.6
IC2821	1130009670	S.IC BU2092FV-E2	T	13.5/22.6
IC2831	1130009670	S.IC BU2092FV-E2	T	31.5/22.6
IC2841	1130009670	S.IC BU2092FV-E2	T	40.5/22.6
Q1611	1530002691	S.TRA 2SC4116-GR(TE85RF)	T	48.9/28.3
Q1621	1530002691	S.TRA 2SC4116-GR(TE85RF)	T	48.9/25.8
D1011	1750001850	S.DIO LDAN222T1G <SLVJ>	T	26.7/84.2
D1021	1750001850	S.DIO LDAN222T1G <SLVJ>	T	57.6/45.5
D1201	1750002940	S.DIO MMBD452LT1G	T	12.4/74.5
D1261	1750001850	S.DIO LDAN222T1G <SLVJ>	T	15.6/43.3
D1271	1750002940	S.DIO MMBD452LT1G	T	48.2/16.6
D1311	1750002950	S.DIO MMBD352LT1G	T	26.4/48.3
D1312	1750002950	S.DIO MMBD352LT1G	T	22.3/48.3
D1341	1750001850	S.DIO LDAN222T1G <SLVJ>	T	13.8/53.8
D1505	1750002230	S.DIO LRB751S-40T1G <SLVJ>	T	51.9/15.5
D1506	1750002230	S.DIO LRB751S-40T1G <SLVJ>	T	53.2/15.5
D2311	1750001850	S.DIO LDAN222T1G <SLVJ>	T	76.5/84.9
D2321	1750001850	S.DIO LDAN222T1G <SLVJ>	T	85.6/84.9
D2331	1750001850	S.DIO LDAN222T1G <SLVJ>	T	94.6/84.9
D2341	1750001850	S.DIO LDAN222T1G <SLVJ>	T	103.7/84.9
D2351	1750001850	S.DIO LDAN222T1G <SLVJ>	T	112.8/86.9
D2361	1750001850	S.DIO LDAN222T1G <SLVJ>	T	121.9/86.9
D2371	1750001850	S.DIO LDAN222T1G <SLVJ>	T	131.0/86.9
D2381	1750001850	S.DIO LDAN222T1G <SLVJ>	T	140.0/88.9
D2391	1750001850	S.DIO LDAN222T1G <SLVJ>	T	149.1/88.9
D2411	1750001850	S.DIO LDAN222T1G <SLVJ>	T	63.1/9.8
D2421	1750001850	S.DIO LDAN222T1G <SLVJ>	T	72.3/9.8
D2431	1750001850	S.DIO LDAN222T1G <SLVJ>	T	81.3/9.8
D2441	1750001850	S.DIO LDAN222T1G <SLVJ>	T	90.4/9.8
D2451	1750001850	S.DIO LDAN222T1G <SLVJ>	T	99.5/9.8
D2461	1750001850	S.DIO LDAN222T1G <SLVJ>	T	108.6/9.8
D2471	1750001850	S.DIO LDAN222T1G <SLVJ>	T	117.6/9.8
D2481	1750001850	S.DIO LDAN222T1G <SLVJ>	T	126.7/9.8
D2491	1750001850	S.DIO LDAN222T1G <SLVJ>	T	135.8/9.8
D2511	1750001850	S.DIO LDAN222T1G <SLVJ>	T	67.4/84.2
D2521	1750001850	S.DIO LDAN222T1G <SLVJ>	T	158.2/88.2
D2551	1750001850	S.DIO LDAN222T1G <SLVJ>	T	56.2/26.7
D2561	1750001850	S.DIO LDAN222T1G <SLVJ>	T	144.8/9.8
D2581	1750001850	S.DIO LDAN222T1G <SLVJ>	T	154.0/5.8
L1009	6200010160	S.COI AS080440-22N	T	60.1/66.8
L1311	6140002810	S.COI LR-317	T	24.7/54.0
L1312	6140002810	S.COI LR-317	T	24.9/42.6
L1501	6140005560	COI LR-604		
L2011	6110003620	COI LA-559		
L2021	6110002750	COI LA-459		
L2031	6110002760	COI LA-460		
L2041	6110002770	COI LA-461		
L2051	6110002780	COI LA-462		
L2061	6110002790	COI LA-463		
L2071	6110002800	COI LA-464		
L2081	6140004900	COI LR-542 T68-2		
L2091	6140004870	COI LR-539 T68-2		
L2099	6200010170	S.COI AS080447-33N	T	147.4/67.9
R1011	7030004980	S.RES ERJ2GEJ 101 X (100)	T	24.0/82.8
R1021	7030004980	S.RES ERJ2GEJ 101 X (100)	T	59.8/46.1
R1031	7540000330	S.ABS CSA70-401L-T	T	57.8/71.7
R1032	7030013250	S.RES ERJ8GEYJ 104V (100K)ATEX	T	58.2/75.0
R1202	7030007290	S.RES ERJ2GEJ 222 X (2.2K)	T	11.4/77.4
R1203	7030005090	S.RES ERJ2GEJ 104 X (100K)	T	13.0/76.3
R1251	7030007300	S.RES ERJ2GEJ 332 X (3.3K)	T	12.3/41.4
R1252	7030005290	S.RES ERJ2GEJ 682 X (6.8K)	T	11.8/40.0
R1261	7030005240	S.RES ERJ2GEJ 473 X (47K)	T	12.6/43.6
R1263	7030005110	S.RES ERJ2GEJ 224 X (220K)	T	14.0/45.3
R1264	7030005110	S.RES ERJ2GEJ 224 X (220K)	T	13.1/45.3
R1272	7030007290	S.RES ERJ2GEJ 222 X (2.2K)	T	49.2/14.1
R1301	7030005530	S.RES ERJ2GEJ 100 X (10)	T	23.1/61.2
R1341	7030005050	S.RES ERJ2GEJ 103 X (10K)	T	24.7/58.7
R1342	7030007290	S.RES ERJ2GEJ 222 X (2.2K)	T	25.9/59.2
R1351	7030004970	S.RES ERJ2GEJ 470 X (47)	T	24.9/35.0
R1361	7030005120	S.RES ERJ2GEJ 102 X (1K)	T	13.3/52.2
R1362	7030005100	S.RES ERJ2GEJ 154 X (150K)	T	13.8/56.1
R1364	7030005050	S.RES ERJ2GEJ 103 X (10K)	T	14.9/52.2
R1365	7030007290	S.RES ERJ2GEJ 222 X (2.2K)	T	16.5/52.2
R1401	7030014150	S.RES LTR50UZPJ151	T	37.7/75.2
R1402	7030014150	S.RES LTR50UZPJ151	T	37.7/77.2
R1411	7030014150	S.RES LTR50UZPJ151	T	43.3/75.2
R1412	7030014150	S.RES LTR50UZPJ151	T	43.3/79.2
R1421	7030014150	S.RES LTR50UZPJ151	T	48.9/75.2
R1422	7030014150	S.RES LTR50UZPJ151	T	48.9/79.2
R1431	7030014140	S.RES LTR50UZPJ121	T	39.3/70.2
R1432	7030014130	S.RES LTR50UZPJ101	T	43.3/70.2
R1441	7030014140	S.RES LTR50UZPJ121	T	39.3/64.6
R1442	7030014130	S.RES LTR50UZPJ101	T	43.3/64.6
R1451	7030014140	S.RES LTR50UZPJ121	T	39.3/59.0
R1452	7030014130	S.RES LTR50UZPJ101	T	43.3/59.0
R1461	7030014170	S.RES LTR50UZPJ331	T	48.9/70.2
R1471	7030014170	S.RES LTR50UZPJ331	T	48.9/64.6
R1481	7030014160	S.RES LTR50UZPJ271	T	48.9/59.0
R1501	7030006220	S.RES ERJ12YJ470U (47)	T	40.3/54.3
R1502	7030007520	S.RES ERJ8ENF 1000V (100)	T	46.1/35.2
R1503	7030006220	S.RES ERJ12YJ470U (47)	T	46.5/54.3
R1504	7030006220	S.RES ERJ12YJ470U (47)	T	50.2/35.2
R1505	7030007520	S.RES ERJ8ENF 1000V (100)	T	44.0/35.2
R1506	7030005240	S.RES ERJ2GEJ 473 X (47K)	T	52.1/12.3
R1507	7030008300	S.RES ERJ2GEJ 184 X (180K)	T	51.2/12.3

Eqv.= This component is equivalent to the REF No. component listed above, and may be substituted on parts orders and repairs.

[TUNER UNIT]

REF NO.	PARTS NO.	DESCRIPTION	M.	H/V LOCATION
R1611	7030004990	S.RES ERJ2GEJ 221 X (220)	T	50.3/23.6
R1612	7030005050	S.RES ERJ2GEJ 103 X (10K)	T	48.2/24.1
R1613	7030005050	S.RES ERJ2GEJ 103 X (10K)	T	46.6/24.1
R1614	7030005050	S.RES ERJ2GEJ 103 X (10K)	T	46.7/29.0
R1615	7030005120	S.RES ERJ2GEJ 102 X (1K)	T	46.7/27.7
R1625	7030005120	S.RES ERJ2GEJ 102 X (1K)	T	46.7/25.2
R1701	7030004980	S.RES ERJ2GEJ 101 X (100)	T	16.7/46.3
R1805	7030004980	S.RES ERJ2GEJ 101 X (100)	T	25.0/10.6
R1806	7030004980	S.RES ERJ2GEJ 101 X (100)	T	24.5/3.8
R1807	7030004980	S.RES ERJ2GEJ 101 X (100)	T	24.0/10.6
R1808	7030004980	S.RES ERJ2GEJ 101 X (100)	T	23.5/3.8
R1809	7030004980	S.RES ERJ2GEJ 101 X (100)	T	23.0/10.6
R1810	7030004980	S.RES ERJ2GEJ 101 X (100)	T	22.0/10.6
R1811	7030004980	S.RES ERJ2GEJ 101 X (100)	T	21.5/3.8
R1812	7030004980	S.RES ERJ2GEJ 101 X (100)	T	21.0/10.6
R1813	7030004980	S.RES ERJ2GEJ 101 X (100)	T	20.5/3.8
R1814	7030004980	S.RES ERJ2GEJ 101 X (100)	T	20.0/10.6
R1815	7030004980	S.RES ERJ2GEJ 101 X (100)	T	19.5/3.8
R1816	7030004980	S.RES ERJ2GEJ 101 X (100)	T	19.0/10.6
R1901	7030004980	S.RES ERJ2GEJ 101 X (100)	T	38.0/14.7
R1902	7030007280	S.RES ERJ2GEJ 331 X (330)	T	38.6/12.8
R1903	7030007280	S.RES ERJ2GEJ 331 X (330)	T	31.0/13.5
R2311	7030004980	S.RES ERJ2GEJ 101 X (100)	T	73.8/82.8
R2321	7030004980	S.RES ERJ2GEJ 101 X (100)	T	82.9/82.8
R2331	7030004980	S.RES ERJ2GEJ 101 X (100)	T	92.0/82.8
R2341	7030004980	S.RES ERJ2GEJ 101 X (100)	T	101.1/82.8
R2351	7030004980	S.RES ERJ2GEJ 101 X (100)	T	110.2/84.8
R2361	7030004980	S.RES ERJ2GEJ 101 X (100)	T	119.2/84.8
R2371	7030004980	S.RES ERJ2GEJ 101 X (100)	T	128.3/84.8
R2381	7030004980	S.RES ERJ2GEJ 101 X (100)	T	137.4/86.8
R2391	7030004980	S.RES ERJ2GEJ 101 X (100)	T	146.5/86.8
R2411	7030004980	S.RES ERJ2GEJ 101 X (100)	T	64.9/10.8
R2421	7030004980	S.RES ERJ2GEJ 101 X (100)	T	74.0/10.8
R2431	7030004980	S.RES ERJ2GEJ 101 X (100)	T	83.1/10.8
R2441	7030004980	S.RES ERJ2GEJ 101 X (100)	T	92.2/10.8
R2451	7030004980	S.RES ERJ2GEJ 101 X (100)	T	101.3/10.8
R2461	7030004980	S.RES ERJ2GEJ 101 X (100)	T	110.4/10.8
R2471	7030004980	S.RES ERJ2GEJ 101 X (100)	T	119.4/10.8
R2481	7030004980	S.RES ERJ2GEJ 101 X (100)	T	128.5/10.8
R2491	7030004980	S.RES ERJ2GEJ 101 X (100)	T	137.6/10.8
R2511	7030004980	S.RES ERJ2GEJ 101 X (100)	T	64.7/82.8
R2521	7030004980	S.RES ERJ2GEJ 101 X (100)	T	155.6/86.8
R2551	7030004980	S.RES ERJ2GEJ 101 X (100)	T	56.5/24.1
R2561	7030004980	S.RES ERJ2GEJ 101 X (100)	T	146.7/10.8
R2581	7030004980	S.RES ERJ2GEJ 101 X (100)	T	156.2/6.8
R2811	7410001170	S.ARR EXB28V470JX	T	20.7/28.3
R2812	7410001170	S.ARR EXB28V470JX	T	23.3/28.3
R2813	7410001170	S.ARR EXB28V470JX	T	23.0/17.0
R2814	7030005050	S.RES ERJ2GEJ 103 X (10K)	T	9.5/25.5
R2821	7410001170	S.ARR EXB28V470JX	T	11.3/28.4
R2822	7410001170	S.ARR EXB28V470JX	T	15.3/28.2
R2823	7410001170	S.ARR EXB28V470JX	T	14.0/17.0
R2831	7410001170	S.ARR EXB28V470JX	T	30.7/28.2
R2832	7410001170	S.ARR EXB28V470JX	T	33.3/28.2
R2833	7410001170	S.ARR EXB28V470JX	T	32.0/17.0
R2841	7410001170	S.ARR EXB28V470JX	T	39.7/28.2
R2842	7410001170	S.ARR EXB28V470JX	T	42.3/28.2
R2843	7410001170	S.ARR EXB28V470JX	T	41.0/17.0
C1002	4030011020	S.CER GRM31M4C2H1R0CY21L (GRM42-6)	T	55.7/67.1
C1011	4030019990	S.CER C1005 JB 1C 104K-T	T	26.9/82.8
C1012	4030019990	S.CER C1005 JB 1C 104K-T	T	22.3/66.8
C1013	4030019990	S.CER C1005 JB 1C 104K-T	T	29.1/84.7
C1014	4030019990	S.CER C1005 JB 1C 104K-T	T	29.1/83.7
C1021	4030019990	S.CER C1005 JB 1C 104K-T	T	63.4/61.2
C1022	4030019990	S.CER C1005 JB 1C 104K-T	T	60.3/45.2
C1023	4030019990	S.CER C1005 JB 1C 104K-T	T	55.2/45.0
C1024	4030019990	S.CER C1005 JB 1C 104K-T	T	55.2/46.0

[TUNER UNIT]

REF NO.	PARTS NO.	DESCRIPTION	M.	H/V LOCATION
C1813	4030017420	S.CER C1005 CH 1H 470J-T	T	20.5/1.7
C1814	4030017420	S.CER C1005 CH 1H 470J-T	T	20.0/13.2
C1815	4030017420	S.CER C1005 CH 1H 470J-T	T	19.5/1.7
C1816	4030017460	S.CER C1005 JB 1H 102K-T	T	19.0/13.2
C1901	4030019990	S.CER C1005 JB 1C 104K-T	T	36.3/14.7
C2001	4030019990	S.CER C1005 JB 1C 104K-T	T	63.7/84.2
C2006	4030019990	S.CER C1005 JB 1C 104K-T	T	58.9/9.9
C2111	4030021850	S.CER GRM31A7U3D180JW31D	T	67.5/33.9
C2112	4030021850	S.CER GRM31A7U3D180JW31D	T	65.3/30.8
C2121	4030021860	S.CER GRM31A7U3D390JW31D	T	72.1/33.9
C2122	4030021890	S.CER GRM31A7U3D330JW31D	T	70.0/30.8
C2131	4010004800	CER DEC1X3J680JC4B (DE1210SL820J)		
C2132	4010004790	CER DEC1X3J680JC4B (DE1210SL680J)		
C2141	4030021870	S.CER GRM32A7U3D151JW31D	T	90.7/34.0
C2142	4030021870	S.CER GRM32A7U3D151JW31D	T	87.6/30.8
C2151	4030021870	S.CER GRM32A7U3D151JW31D	T	95.2/34.0
C2161	4030021870	S.CER GRM32A7U3D151JW31D	T	104.4/34.0
C2162	4030021870	S.CER GRM32A7U3D151JW31D	T	101.4/34.0
C2171	4010008720	CER DEA1X3D271JA2B		
C2172	4010008710	CER DEA1X3D331JA3B		
C2183	4320001230	S.MIC UC552H 1201J-T	T	125.1/33.0
C2191	4010009020	CER DEHR33F122KA3B		
C2192	4010009020	CER DEHR33F122KA3B		
C2281	4030021880	S.CER GRM42A7U3F560JW31L	T	154.3/28.0
C2282	4030021880	S.CER GRM42A7U3F560JW31L	T	156.6/25.5
C2311	4030019990	S.CER C1005 JB 1C 104K-T	T	76.7/82.8
C2312	4030019990	S.CER C1005 JB 1C 104K-T	T	76.7/66.3
C2313	4030019990	S.CER C1005 JB 1C 104K-T	T	78.9/85.4
C2314	4030019990	S.CER C1005 JB 1C 104K-T	T	78.9/84.4
C2321	4030019990	S.CER C1005 JB 1C 104K-T	T	85.8/82.8
C2322	4030019990	S.CER C1005 JB 1C 104K-T	T	85.8/66.3
C2323	4030019990	S.CER C1005 JB 1C 104K-T	T	88.0/85.4
C2324	4030019990	S.CER C1005 JB 1C 104K-T	T	88.0/84.4
C2331	4030019990	S.CER C1005 JB 1C 104K-T	T	94.8/82.8
C2332	4030019990	S.CER C1005 JB 1C 104K-T	T	94.9/66.3
C2333	4030019990	S.CER C1005 JB 1C 104K-T	T	97.1/85.4
C2334	4030019990	S.CER C1005 JB 1C 104K-T	T	97.1/84.4
C2341	4030019990	S.CER C1005 JB 1C 104K-T	T	103.9/82.8
C2342	4030019990	S.CER C1005 JB 1C 104K-T	T	103.9/66.3
C2343	4030019990	S.CER C1005 JB 1C 104K-T	T	106.2/85.4
C2344	4030019990	S.CER C1005 JB 1C 104K-T	T	106.2/84.4
C2351	4030019990	S.CER C1005 JB 1C 104K-T	T	113.0/84.8
C2352	4030019990	S.CER C1005 JB 1C 104K-T	T	113.0/68.3
C2353	4030019990	S.CER C1005 JB 1C 104K-T	T	115.3/87.4
C2354	4030019990	S.CER C1005 JB 1C 104K-T	T	115.3/86.4
C2361	4030019990	S.CER C1005 JB 1C 104K-T	T	122.1/84.8
C2362	4030019990	S.CER C1005 JB 1C 104K-T	T	122.1/68.3
C2363	4030019990	S.CER C1005 JB 1C 104K-T	T	124.3/87.4
C2364	4030019990	S.CER C1005 JB 1C 104K-T	T	124.3/86.4
C2371	4030019990	S.CER C1005 JB 1C 104K-T	T	131.2/84.8
C2372	4030019990	S.CER C1005 JB 1C 104K-T	T	131.1/68.3
C2373	4030019990	S.CER C1005 JB 1C 104K-T	T	133.5/87.4
C2374	4030019990	S.CER C1005 JB 1C 104K-T	T	133.5/86.4
C2381	4030019990	S.CER C1005 JB 1C 104K-T	T	140.2/86.8
C2382	4030019990	S.CER C1005 JB 1C 104K-T	T	140.3/70.3
C2383	4030019990	S.CER C1005 JB 1C 104K-T	T	142.5/89.4
C2384	4030019990	S.CER C1005 JB 1C 104K-T	T	142.5/88.4
C2391	4030019990	S.CER C1005 JB 1C 104K-T	T	149.1/86.8
C2392	4030019990	S.CER C1005 JB 1C 104K-T	T	151.6/70.3
C2393	4030019990	S.CER C1005 JB 1C 104K-T	T	151.5/89.4
C2394	4030019990	S.CER C1005 JB 1C 104K-T	T	151.5/88.4
C2411	4030019990	S.CER C1005 JB 1C 104K-T	T	63.1/11.3
C2412	4030019990	S.CER C1005 JB 1C 104K-T	T	58.7/27.7
C2413	4030019990	S.CER C1005 JB 1C 104K-T	T	60.7/9.3
C2414	4030019990	S.CER C1005 JB 1C 104K-T	T	60.7/10.3
C2421	4030019990	S.CER C1005 JB 1C 104K-T	T	72.1/11.3
C2422	4030019990	S.CER C1005 JB 1C 104K-T	T	72.4/27.8
C2423	4030019990	S.CER C1005 JB 1C 104K-T	T	69.8/9.3
C2424	4030019990	S.CER C1005 JB 1C 104K-T	T	69.8/10.3
C2431	4030019990	S.CER C1005 JB 1C 104K-T	T	81.1/11.3
C2432	4030019990	S.CER C1005 JB 1C 104K-T	T	81.4/27.8
C2433	4030019990	S.CER C1005 JB 1C 104K-T	T	78.8/9.3
C2434	4030019990	S.CER C1005 JB 1C 104K-T	T	78.8/10.3
C2441	4030019990	S.CER C1005 JB 1C 104K-T	T	90.2/11.3
C2442	4030019990	S.CER C1005 JB 1C 104K-T	T	90.5/27.8
C2443	4030019990	S.CER C1005 JB 1C 104K-T	T	87.9/9.3
C2444	4030019990	S.CER C1005 JB 1C 104K-T	T	87.9/10.3
C2451	4030019990	S.CER C1005 JB 1C 104K-T	T	99.3/11.3
C2452	4030019990	S.CER C1005 JB 1C 104K-T	T	99.6/27.8
C2453	4030019990	S.CER C1005 JB 1C 104K-T	T	97.0/9.3
C2454	4030019990	S.CER C1005 JB 1C 104K-T	T	97.0/10.3
C2461	4030019990	S.CER C1005 JB 1C 104K-T	T	108.4/11.3
C2462	4030019990	S.CER C1005 JB 1C 104K-T	T	108.7/27.8
C2463	4030019990	S.CER C1005 JB 1C 104K-T	T	106.1/9.3
C2464	4030019990	S.CER C1005 JB 1C 104K-T	T	106.1/10.3
C2471	4030019990	S.CER C1005 JB 1C 104K-T	T	117.4/11.3
C2472	4030019990	S.CER C1005 JB 1C 104K-T	T	117.8/27.8
C2473	4030019990	S.CER C1005 JB 1C 104K-T	T	115.2/9.3
C2474	4030019990	S.CER C1005 JB 1C 104K-T	T	115.2/10.3
C2481	4030019990	S.CER C1005 JB 1C 104K-T	T	126.5/11.3
C2482	4030019990	S.CER C1005 JB 1C 104K-T	T	126.9/27.8
C2483	4030019990	S.CER C1005 JB 1C 104K-T	T	124.2/9.3
C2484	4030019990	S.CER C1005 JB 1C 104K-T	T	124.3/10.3
C2491	4030019990	S.CER C1005 JB 1C 104K-T	T	135.6/11.3
C2492	4030019990	S.CER C1005 JB 1C 104K-T	T	136.0/27.8
C2493	4030019990	S.CER C1005 JB 1C 104K-T	T	133.4/9.3
C2494	4030019990	S.CER C1005 JB 1C 104K-T	T	133.4/10.3
C2511	4030019990	S.CER C1005 JB 1C 104K-T	T	67.4/82.8
C2512	4030019990	S.CER C1005 JB 1C 104K-T	T	67.6/66.3
C2513	4030019990	S.CER C1005 JB 1C 104K-T	T	69.8/84.7
C2514	4030019990	S.CER C1005 JB 1C 104K-T	T	69.8/83.7
C2521	4030019990	S.CER C1005 JB 1C 104K-T	T	158.2/86.8
C2522	4030019990	S.CER C1005 JB 1C 104K-T	T	156.5/70.3

[TUNER UNIT]

REF NO.	PARTS NO.	DESCRIPTION	M.	H/V LOCATION
C2523	4030019990	S.CER C1005 JB 1C 104K-T	T	160.7/87.7
C2524	4030019990	S.CER C1005 JB 1C 104K-T	T	160.7/88.7
C2551	4030019990	S.CER C1005 JB 1C 104K-T	T	63.2/43.4
C2552	4030019990	S.CER C1005 JB 1C 104K-T	T	56.6/28.4
C2553	4030019990	S.CER C1005 JB 1C 104K-T	T	58.7/25.8
C2554	4030019990	S.CER C1005 JB 1C 104K-T	T	57.8/25.8
C2561	4030019990	S.CER C1005 JB 1C 104K-T	T	144.7/11.3
C2562	4030019990	S.CER C1005 JB 1C 104K-T	T	145.0/27.8
C2563	4030019990	S.CER C1005 JB 1C 104K-T	T	142.4/9.3
C2564	4030019990	S.CER C1005 JB 1C 104K-T	T	142.4/10.3
C2581	4030019990	S.CER C1005 JB 1C 104K-T	T	153.8/7.3
C2582	4030019990	S.CER C1005 JB 1C 104K-T	T	154.7/11.3
C2583	4030019990	S.CER C1005 JB 1C 104K-T	T	151.5/5.3
C2584	4030019990	S.CER C1005 JB 1C 104K-T	T	151.5/6.3
C2811	4030019990	S.CER C1005 JB 1C 104K-T	T	18.5/23.6
C2821	4030019990	S.CER C1005 JB 1C 104K-T	T	9.5/22.9
C2831	4030019990	S.CER C1005 JB 1C 104K-T	T	27.5/23.6
C2841	4030019990	S.CER C1005 JB 1C 104K-T	T	36.5/23.6
RL1011	6330002060	REL EC2-9TNU		
RL1021	6330002060	REL EC2-9TNU		
RL2011	6330002060	REL EC2-9TNU		
RL2021	6330002060	REL EC2-9TNU		
RL2031	6330002060	REL EC2-9TNU		
RL2041	6330002060	REL EC2-9TNU		
RL2051	6330002060	REL EC2-9TNU		
RL2061	6330002060	REL EC2-9TNU		
RL2071	6330002060	REL EC2-9TNU		
RL2081	6330002060	REL EC2-9TNU		
RL2091	6330002060	REL EC2-9TNU		
RL2111	6330002060	REL EC2-9TNU		
RL2121	6330002060	REL EC2-9TNU		
RL2131	6330002060	REL EC2-9TNU		
RL2141	6330002060	REL EC2-9TNU		
RL2151	6330002060	REL EC2-9TNU		
RL2161	6330002060	REL EC2-9TNU		
RL2171	6330002060	REL EC2-9TNU		
RL2181	6330002060	REL EC2-9TNU		
RL2191	6330002060	REL EC2-9TNU		
RL2211	6330002060	REL EC2-9TNU		
RL2221	6330002060	REL EC2-9TNU		
RL2251	6330002060	REL EC2-9TNU		
RL2261	6330002060	REL EC2-9TNU		
RL2281	6330002060	REL EC2-9TNU		
J1001	6510028210	CON SJ050010 (TMP-J01X-V6)		
J1801	6510021722	S.CON 30FLT-SM2-TB(LF)(SN)(M)	T	24.2/7.4
J2001	6510028210	CON SJ050010 (TMP-J01X-V6)		
J2002	6510028210	CON SJ050010 (TMP-J01X-V6)		
EP1801	6910019100	S.BEA MPZ1608S101AT	T	31.5/3.8
EP1802	6910019900	S.BEA MPZ1608S601AT	T	29.3/3.8

Eqv.= This component is equivalent to the REF No. component listed above, and may be substituted on parts orders and repairs.

M.=Mounted side (T: Mounted on the Top side, B: Mounted on the Bottom side) S.=Surface mount

[FRONT UNIT]

REF NO.	PARTS NO.	DESCRIPTION	M.	H/V LOCATION
DS1	5030004050	LCD RFE430H-AZH-DNS-000 <TRIA>		
EP1	0880001360	UNI EX-2500 SENSOR		

[DISPLAY UNIT]

REF NO.	PARTS NO.	DESCRIPTION	M.	H/V LOCATION
IC101	1190003620	S.IC TPS61161ADRV	B	60.8/51.7
IC152	1130017190	S.IC UC6528XBNO4GRC <GOS>	B	100.0/48.7
IC501	1140017811	S.IC R5F104LCAFB (SX-3765C-1)	B	120.0/58.7
Q1	1590004690	S.TRA LDTC143ZET1G <SLVJ>	B	6.5/68.0
Q2	1590004690	S.TRA LDTC143ZET1G <SLVJ>	B	165.4/30.0
Q3	1590004690	S.TRA LDTC143ZET1G <SLVJ>	B	165.4/27.9
Q461	1510001200	S.TRA L2SA1576ART1G <SLVJ>	B	50.5/47.2
Q462	1520001010	S.TRA 2SB1132G-R-AB3-R <SLVJ>	B	45.4/51.4
Q481	1590004690	S.TRA LDTC143ZET1G <SLVJ>	B	20.8/65.5
Q491	1530004140	S.TRA L2SC4081RT1G <SLVJ>	B	38.3/49.6
Q492	1530004210	S.TRA DSC7004SOL	B	30.2/52.9
Q493	1590004310	S.TRA LDTA114EET1G <SLVJ>	B	35.9/50.4
D101	1750002240	S.DIO DB2141300L	B	68.2/50.1
D401	1750001820	S.DIO LRB706F-40T1G <SLVJ>	B	23.1/51.3
D471	1750002230	S.DIO LRB751S-40T1G <SLVJ>	B	33.5/50.3
D472	1750001820	S.DIO LRB706F-40T1G <SLVJ>	B	35.9/46.7
D491	1750001810	S.DIO L1SS400T1G <SLVJ>	B	35.1/53.7
L101	6200014850	S.COI LQH44PN220MP0L	T	23.1/164.1
L102	6200015990	S.COI LQH32CN470K23L	B	60.4/47.5
R1	7030004980	S.RES ERJ2GEJ 101 X (100)	B	6.5/70.2
R2	7030004980	S.RES ERJ2GEJ 101 X (100)	B	167.5/30.0
R3	7030007280	S.RES ERJ2GEJ 331 X (330)	B	167.5/27.9
R11	7030005290	S.RES ERJ2GEJ 682 X (6.8K)	B	35.4/42.2
R12	7030007290	S.RES ERJ2GEJ 222 X (2.2K)	B	41.2/41.0
R13	7030005040	S.RES ERJ2GEJ 472 X (4.7K)	B	39.1/41.0
R14	7030007340	S.RES ERJ2GEJ 153 X (15K)	B	39.1/40.1
R21	7030005290	S.RES ERJ2GEJ 682 X (6.8K)	B	148.0/42.7
R22	7030007290	S.RES ERJ2GEJ 222 X (2.2K)	B	150.4/42.7
R23	7030005040	S.RES ERJ2GEJ 472 X (4.7K)	B	152.8/42.7
R24	7030007340	S.RES ERJ2GEJ 153 X (15K)	B	155.2/42.7
R31	7030005290	S.RES ERJ2GEJ 682 X (6.8K)	B	193.0/62.2
R32	7030007290	S.RES ERJ2GEJ 222 X (2.2K)	B	195.5/62.2
R33	7030005040	S.RES ERJ2GEJ 472 X (4.7K)	B	198.0/62.2
R34	7030007340	S.RES ERJ2GEJ 153 X (15K)	B	200.5/62.2
R41	7030005290	S.RES ERJ2GEJ 682 X (6.8K)	B	193.0/63.2
R42	7030007290	S.RES ERJ2GEJ 222 X (2.2K)	B	195.5/63.2
R43	7030005040	S.RES ERJ2GEJ 472 X (4.7K)	B	198.0/63.2
R44	7030007340	S.RES ERJ2GEJ 153 X (15K)	B	200.5/63.2
R50	7030005120	S.RES ERJ2GEJ 102 X (1K)	B	58.5/66.6
R51	7030005120	S.RES ERJ2GEJ 102 X (1K)	B	58.5/67.5
R52	7030005120	S.RES ERJ2GEJ 102 X (1K)	B	58.5/62.2
R53	7030005120	S.RES ERJ2GEJ 102 X (1K)	B	58.5/65.2
R54	7030005120	S.RES ERJ2GEJ 102 X (1K)	B	58.5/64.2
R61	7030005120	S.RES ERJ2GEJ 102 X (1K)	B	61.5/17.2
R62	7030005120	S.RES ERJ2GEJ 102 X (1K)	B	61.5/16.2
R71	7030005120	S.RES ERJ2GEJ 102 X (1K)	B	169.0/50.4
R72	7030005120	S.RES ERJ2GEJ 102 X (1K)	B	173.8/44.3
R73	7030005120	S.RES ERJ2GEJ 102 X (1K)	B	173.9/45.3
R101	7030011010	S.RES ERJ2GEJ 8R2 X (8.2)	B	58.1/50.9
R102	7030005300	S.RES ERJ2GEJ 150 X (15)	B	58.1/50.0
R103	7030005240	S.RES ERJ2GEJ 473 X (47K)	B	88.7/50.7
R141	7030005530	S.RES ERJ2GEJ 100 X (10)	B	91.9/47.8
R142	7030005530	S.RES ERJ2GEJ 100 X (10)	B	94.0/50.3
R143	7030005530	S.RES ERJ2GEJ 100 X (10)	B	93.0/47.8
R144	7030005530	S.RES ERJ2GEJ 100 X (10)	B	94.8/49.0
R201	7030005080	S.RES ERJ2GEJ 823 X (82K)	B	168.0/15.8
R202	7030005240	S.RES ERJ2GEJ 473 X (47K)	B	170.5/15.8
R203	7030005080	S.RES ERJ2GEJ 823 X (82K)	B	168.0/17.8
R204	7030005240	S.RES ERJ2GEJ 473 X (47K)	B	170.5/17.8
R301	7030005050	S.RES ERJ2GEJ 103 X (10K)	B	113.5/74.0
R302	7030005120	S.RES ERJ2GEJ 102 X (1K)	B	115.5/74.0
R303	7030005120	S.RES ERJ2GEJ 102 X (1K)	B	114.5/74.0
R401	7030005220	S.RES ERJ2GEJ 223 X (22K)	B	19.6/53.4
R402	7030005090	S.RES ERJ2GEJ 104 X (100K)	B	20.6/53.4
R461	7030005040	S.RES ERJ2GEJ 472 X (4.7K)	B	49.2/51.8
R462	7030009320	S.RES ERJ2GEJ 4R7 X (4.7)	B	49.2/49.0
R463	7030005040	S.RES ERJ2GEJ 472 X (4.7K)	B	48.5/47.0
R464	7030005090	S.RES ERJ2GEJ 104 X (100K)	B	47.5/47.0
R471	7030007290	S.RES ERJ2GEJ 222 X (2.2K)	B	34.0/48.7
R472	7030005240	S.RES ERJ2GEJ 473 X (47K)	B	33.9/47.7
R481	7030005050	S.RES ERJ2GEJ 103 X (10K)	B	20.8/67.1
R491	7030005040	S.RES ERJ2GEJ 472 X (4.7K)	B	37.1/53.5
R492	7030005060	S.RES ERJ2GEJ 333 X (33K)	B	37.1/52.6
R493	7030007340	S.RES ERJ2GEJ 153 X (15K)	B	38.0/51.6
R494	7030005240	S.RES ERJ2GEJ 473 X (47K)	B	35.9/48.7
R495	7030005050	S.RES ERJ2GEJ 103 X (10K)	B	29.5/49.6
R496	7030007270	S.RES ERJ2GEJ 151 X (150)	B	35.5/52.1
R501	7410001220	S.ARR EXB28V103JX	B	109.5/58.2
R502	7030005240	S.RES ERJ2GEJ 473 X (47K)	B	126.0/64.7
R503	7410001220	S.ARR EXB28V103JX	B	128.5/51.2
R504	7410001220	S.ARR EXB28V103JX	B	109.5/51.2
R601	7030007250	S.RES ERJ2GEJ 220 X (22)	B	79.1/55.0
R602	7030007250	S.RES ERJ2GEJ 220 X (22)	B	80.3/55.0
R603	7030007250	S.RES ERJ2GEJ 220 X (22)	B	81.5/55.0
R604	7030007250	S.RES ERJ2GEJ 220 X (22)	B	82.7/55.0
R605	7030007250	S.RES ERJ2GEJ 220 X (22)	B	83.9/55.0
R606	7030007250	S.RES ERJ2GEJ 220 X (22)	B	85.1/55.0
R607	7030007250	S.RES ERJ2GEJ 220 X (22)	B	86.3/55.0
R608	7030007250	S.RES ERJ2GEJ 220 X (22)	B	87.5/55.0
R609	7030007250	S.RES ERJ2GEJ 220 X (22)	B	88.7/55.0
R610	7030007250	S.RES ERJ2GEJ 220 X (22)	B	89.9/55.0
R611	7030004980	S.RES ERJ2GEJ 101 X (100)	B	92.1/55.0
R612	7030007250	S.RES ERJ2GEJ 220 X (22)	B	93.3/55.0
R613	7030007250	S.RES ERJ2GEJ 220 X (22)	B	78.5/62.5
R614	7030007250	S.RES ERJ2GEJ 220 X (22)	B	79.7/62.5
R615	7030007250	S.RES ERJ2GEJ 220 X (22)	B	80.9/62.5
R616	7030007250	S.RES ERJ2GEJ 220 X (22)	B	82.1/62.5

Eqv.= This component is equivalent to the REF No. component listed above, and may be substituted on parts orders and repairs.

M.=Mounted side (T: Mounted on the Top side, B: Mounted on the Bottom side) S.=Surface mount

[DISPLAY UNIT]

REF NO.	PARTS NO.	DESCRIPTION	M.	H/V LOCATION
R617	7030007250	S.RES ERJ2GEJ 220 X (22)	B	83.3/62.5
R618	7030007250	S.RES ERJ2GEJ 220 X (22)	B	84.5/62.5
R619	7030007250	S.RES ERJ2GEJ 220 X (22)	B	85.7/62.5
R620	7030007250	S.RES ERJ2GEJ 220 X (22)	B	86.9/62.5
R621	7030007250	S.RES ERJ2GEJ 220 X (22)	B	88.1/62.5
R622	7030007250	S.RES ERJ2GEJ 220 X (22)	B	89.3/62.5
R623	7030007250	S.RES ERJ2GEJ 220 X (22)	B	90.5/62.5
R624	7030007250	S.RES ERJ2GEJ 220 X (22)	B	92.7/62.5
R625	7030004980	S.RES ERJ2GEJ 101 X (100)	B	93.9/62.5
C50	4030016790	S.CER C1005 JB 1E 103K-T	B	61.0/66.6
C51	4030016790	S.CER C1005 JB 1E 103K-T	B	61.0/67.5
C52	4030016790	S.CER C1005 JB 1E 103K-T	B	61.0/62.2
C53	4030016790	S.CER C1005 JB 1E 103K-T	B	61.0/65.2
C54	4030016790	S.CER C1005 JB 1E 103K-T	B	61.0/64.2
C61	4030019990	S.CER C1005 JB 1C 104K-T	B	64.0/17.2
C62	4030019990	S.CER C1005 JB 1C 104K-T	B	64.0/16.2
C71	4030016790	S.CER C1005 JB 1E 103K-T	B	167.2/50.4
C72	4030016790	S.CER C1005 JB 1E 103K-T	B	175.6/44.3
C73	4030016790	S.CER C1005 JB 1E 103K-T	B	175.6/45.3
C101	4030021530	S.CER C1608 JB 1E 224K-T	B	58.1/52.7
C102	4030021760	S.CER GRM31MB31H105KA87L	B	66.4/53.0
C103	4030020270	S.CER GRM188B11A105KA61D	B	61.1/49.7
C104	4030020270	S.CER GRM188B11A105KA61D	B	57.3/48.1
C141	4030017460	S.CER C1005 JB 1H 102K-T	B	95.5/50.3
C142	4030017460	S.CER C1005 JB 1H 102K-T	B	96.5/50.7
C143	4030017460	S.CER C1005 JB 1H 102K-T	B	95.1/47.8
C144	4030017460	S.CER C1005 JB 1H 102K-T	B	96.1/48.3
C151	4030019990	S.CER C1005 JB 1C 104K-T	B	96.9/46.6
C152	4030019990	S.CER C1005 JB 1C 104K-T	B	103.5/50.2
C201	4030019990	S.CER C1005 JB 1C 104K-T	B	168.0/13.8
C403	4030019620	S.CER GRM188B31C225KE14D	B	25.0/51.0
C452	4030016790	S.CER C1005 JB 1E 103K-T	B	20.8/62.7
C453	4030016790	S.CER C1005 JB 1E 103K-T	B	20.8/61.4
C461	4030017460	S.CER C1005 JB 1H 102K-T	B	48.8/50.4
C471	4030016790	S.CER C1005 JB 1E 103K-T	B	37.7/47.3
C491	4030016790	S.CER C1005 JB 1E 103K-T	B	28.5/49.6
C501	4030020270	S.CER GRM188B11A105KA61D	B	111.5/60.2
C502	4030019990	S.CER C1005 JB 1C 104K-T	B	111.5/61.8
C503	4030019990	S.CER C1005 JB 1C 104K-T	B	111.5/62.8
C611	4030016790	S.CER C1005 JB 1E 103K-T	B	92.1/52.5
C625	4030016790	S.CER C1005 JB 1E 103K-T	B	93.9/65.0
C626	4030019990	S.CER C1005 JB 1C 104K-T	B	74.8/65.0
C627	4030019990	S.CER C1005 JB 1C 104K-T	B	72.0/55.8
C628	4030019990	S.CER C1005 JB 1C 104K-T	B	76.2/65.0
J51	6510022692	S.CON 06FLT-SM2-TB(LF)(SN)(M)	B	55.0/64.8
J61	6510022692	S.CON 06FLT-SM2-TB(LF)(SN)(M)	B	57.5/16.6
J71	6510022692	S.CON 06FLT-SM2-TB(LF)(SN)(M)	B	170.2/47.1
J101	6510031070	S.CON AYF534035	B	83.4/44.6
J201	6510018971	S.CON B4B-PH-SM4-TB(LF)(SN)	B	177.1/16.8
J301	6510022692	S.CON 06FLT-SM2-TB(LF)(SN)(M)	B	110.0/73.7
J401	6510018971	S.CON B4B-PH-SM4-TB(LF)(SN)	B	15.8/50.7
J421	6510018971	S.CON B4B-PH-SM4-TB(LF)(SN)	B	39.5/30.4
J451	6510019971	S.CON 52808-1071	B	7.8/60.7
J601	6510022472	S.CON 40FLT-SM2-TB(LF)(SN)(M)	B	84.0/58.8
DS1	5040003500	S.LED HT-191 UYG-K828 <KOU>	T	8.8/76.3
DS2	5040003870	S.LED SSC-YGHR411-H	T	167.8/28.8
S1	2230001480	S.SWI LS37J2-T	T	9.0/72.0
S2	2230001480	S.SWI LS37J2-T	T	9.0/61.7
S3	2230001480	S.SWI LS37J2-T	T	9.0/51.7
S4	2230001480	S.SWI LS37J2-T	T	9.0/45.7
S5	2230001480	S.SWI LS37J2-T	T	28.3/45.8
S6	2230001480	S.SWI LS37J2-T	T	42.7/45.8
S7	2230001480	S.SWI LS37J2-T	T	28.3/41.1
S8	2230001480	S.SWI LS37J2-T	T	42.7/41.1
S9	2230001480	S.SWI LS37J2-T	T	68.4/3.1
S10	2230001480	S.SWI LS37J2-T	T	87.9/3.1
S11	2230001480	S.SWI LS37J2-T	T	107.4/3.1
S12	2230001480	S.SWI LS37J2-T	T	126.9/3.1
S13	2230001480	S.SWI LS37J2-T	T	146.4/3.1
S14	2230001480	S.SWI LS37J2-T	T	167.1/47.8
S15	2230001480	S.SWI LS37J2-T	T	165.8/14.8
S16	2230001480	S.SWI LS37J2-T	T	169.0/3.1
S17	2230001480	S.SWI LS37J2-T	T	191.1/74.1
S18	2230001480	S.SWI LS37J2-T	T	206.2/74.1
S19	2230001480	S.SWI LS37J2-T	T	221.3/74.1
S20	2230001480	S.SWI LS37J2-T	T	191.1/65.8
S21	2230001480	S.SWI LS37J2-T	T	206.2/65.8
S22	2230001480	S.SWI LS37J2-T	T	221.3/65.8
S23	2230001480	S.SWI LS37J2-T	T	191.1/59.5
S24	2230001480	S.SWI LS37J2-T	T	206.2/59.5
S25	2230001480	S.SWI LS37J2-T	T	222.4/59.5
EP401	6910018930	S.BEA MPZ2012S601A	B	19.9/50.2
EP402	6910018930	S.BEA MPZ2012S601A	B	20.8/47.7
EP451	6910018930	S.BEA MPZ2012S601A	B	16.8/59.7
EP452	6910019900	S.BEA MPZ1608S601AT	B	17.6/62.7
EP453	6910017350	S.BEA MMZ1608S601A-T	B	17.6/61.4
EP454	6910016330	S.BEA MMZ1005S 601CT-S	B	17.6/63.9
EP455	6910018930	S.BEA MPZ2012S601A	B	16.8/57.9
EP456	6910016330	S.BEA MMZ1005S 601CT-S	B	6.0/65.2
EP457	6910016330	S.BEA MMZ1005S 601CT-S	B	5.0/65.2
EP601	6910019900	S.BEA MPZ1608S601AT	B	73.7/63.0
EP602	6910019900	S.BEA MPZ1608S601AT	B	75.4/55.4
EP603	6910019900	S.BEA MPZ1608S601AT	B	77.3/63.0

[PBT UNIT]

REF NO.	PARTS NO.	DESCRIPTION	M.	H/V LOCATION
J1	6510029480	S.CON 06FH-SM1-TB(LF)(SN)	T	19.8/8.3
S1	2250000960	ENC TP90D96AE20-30.5F-3765		

Eqv.= This component is equivalent to the REF No. component listed above, and may be substituted on parts orders and repairs.

M.=Mounted side (T: Mounted on the Top side, B: Mounted on the Bottom side) S.=Surface mount

[VR UNIT]

REF NO.	PARTS NO.	DESCRIPTION	M.	H/V LOCATION
R1	7210002970	VAR RV-314(RK0972210 10KB/10KB)		
J1	6510029480	S.CON 06FH-SM1-TB(LF)(SN)	T	19.8/9.3

[RIT UNIT]

REF NO.	PARTS NO.	DESCRIPTION	M.	H/V LOCATION
J1	6510029480	S.CON 06FH-SM1-TB(LF)(SN)	T	20.0/5.6
S1	2250001010	ENC TP90N00AE20-14.5F-3765A		

Eqv.= This component is equivalent to the REF No. component listed above, and may be substituted on parts orders and repairs.

M.=Mounted side (T: Mounted on the Top side, B: Mounted on the Bottom side)
S.=Surface mount

[PHONE UNIT]

REF NO.	PARTS NO.	DESCRIPTION	M.	H/V LOCATION
R401	7030003440	S.RES ERJ3GEYJ 102 V (1K)	T	18.5/8.4
R403	7030003320	S.RES ERJ3GEYJ 101 V (100)	T	13.1/12.9
R404	7030003320	S.RES ERJ3GEYJ 101 V (100)	T	15.9/12.9
C401	4030006900	S.CER C1608 JB 1H 103K-T ATEX	T	18.5/9.6
C404	4030006900	S.CER C1608 JB 1H 103K-T ATEX	T	10.4/12.9
J1	6450001630	CON HSJ1406-01-050		
EP401	6910018930	S.BEA MPZ2012S601A	T	18.0/13.3
EP402	6910018930	S.BEA MPZ2012S601A	T	15.6/11.3
EP403	6910018930	S.BEA MPZ2012S601A	T	10.2/11.3

[MIC UNIT]

REF NO.	PARTS NO.	DESCRIPTION	M.	H/V LOCATION
C1	4030006900	S.CER C1608 JB 1H 103K-T ATEX	T	10.3/17.4
C2	4030006900	S.CER C1608 JB 1H 103K-T ATEX	T	22.8/14.8
C3	4030006900	S.CER C1608 JB 1H 103K-T ATEX	T	8.1/15.3
C4	4030007130	S.CER C1608 CH 1H 101J-T ATEX	T	5.5/3.8
C5	4030006900	S.CER C1608 JB 1H 103K-T ATEX	T	24.5/91.6
C6	4030006900	S.CER C1608 JB 1H 103K-T ATEX	T	24.5/92.5
C7	4030006900	S.CER C1608 JB 1H 103K-T ATEX	T	24.5/93.4
C8	4030007090	S.CER C1608 CH 1H 470J-T	T	24.5/94.3
J1	6510000191	CON FM214-8SS(P)-1		
J2	6510019971	S.CON 52808-1071	T	4.0/11.2
EP2	6910012350	S.BEA MMZ1608Y 102BT	T	22.8/13.5
EP3	6910012350	S.BEA MMZ1608Y 102BT	T	23.6/9.1
EP4	6910012350	S.BEA MMZ1608Y 102BT	T	7.4/13.4
EP5	6910012350	S.BEA MMZ1608Y 102BT	T	21.3/16.1
EP7	6910018930	S.BEA MPZ2012S601A	T	7.6/6.2
EP9	6910015130	S.BEA MMZ1608D 301BT	T	10.1/2.5
EP10	6910015130	S.BEA MMZ1608D 301BT	T	10.1/3.7
EP11	6910012350	S.BEA MMZ1608Y 102BT	T	11.6/17.4
EP12	6910018930	S.BEA MPZ2012S601A	T	7.9/16.8

Eqv.= This component is equivalent to the REF No. component listed above, and may be substituted on parts orders and repairs.

M.=Mounted side (T: Mounted on the Top side, B: Mounted on the Bottom side)
S.=Surface mount

[SD UNIT]

REF NO.	PARTS NO.	DESCRIPTION	M.	H/V LOCATION
R1	7030003360	S.RES ERJ3GEYJ 221 V (220)	T	35.1/11.5
R2	7030003250	S.RES ERJ3GEYJ 270 V (27)	T	35.1/13.9
R3	7030003250	S.RES ERJ3GEYJ 270 V (27)	T	35.1/15.1
R4	7030003250	S.RES ERJ3GEYJ 270 V (27)	T	35.1/18.7
R5	7030003250	S.RES ERJ3GEYJ 270 V (27)	T	35.1/19.9
R6	7030003250	S.RES ERJ3GEYJ 270 V (27)	T	35.1/17.5
R8	7030003250	S.RES ERJ3GEYJ 270 V (27)	T	35.1/12.7
R9	7030003360	S.RES ERJ3GEYJ 221 V (220)	T	35.1/10.3
C1	4030011600	S.CER C1608 JB 1E 104K-T ATEX	T	32.6/16.0
C2	4030019560	S.CER GRM21BB31C106KE15L	T	31.1/15.6
J1	6510028980	S.CON SCDABA0500	T	13.9/15.3
J2	6510031540	S.CON 12FHJ-SM1-TB(LF)(SN)	T	40.3/15.3
EP7	6910019900	S.BEA MPZ1608S601AT1	T	35.1/16.3

Eqv.= This component is equivalent to the REF No. component listed above, and may be substituted on parts orders and repairs.

M.=Mounted side (T: Mounted on the Top side, B: Mounted on the Bottom side)
S.=Surface mount

SECTION 6

MECHANICAL PARTS

[CHASSIS PARTS]

REF NO.	ORDER NO.	DESCRIPTION	QTY.
J1	6510028411	MR-DS-01-2 <GA>	1
SP1	2510002000	057D0805	1
MF1	2710001060	FD128025HB-N (2N7R1) <USE>	1
W1**	8970024631	1.5DCOAXIAL170MM-1 C31/C31	1
W3**	8970024412	1.5DCOAXIAL330MM-2 (T) C31/C31	1
W5**	8970024252	1.5DCOAXIAL240MM-2 C31/C31	1
W7**	8900016990	OPC-1741 (1.5DCOAXIAL110MM)	1
W11**	8600037600	SX3765 P11*P12CH (3765-1)	1
W15	8920001580	CAB-1186	[#02] 1
	8920001670	CAB-1205	[#03] 1
	8920001670	CAB-1205	[#05] 1
	8920001670	CAB-1205	[#06] 1
	8920001580	CAB-1186	[#07] 1
	8920001580	CAB-1186	[#08] 1
	8920001580	CAB-1186	[#12] 1
W16	8600037380	SX3183 J1101*P1102CH	1
W21**	8910000500	FFC-1055 (P0.5N30L150)	1
W22**	8910000220	FFC-1024 (P0.5N40L120)	1
W23**	8910000530	FFC-1057 (P0.5N30L65 S)	1
W24**	8910000520	FFC-1056 (P0.5N40L100 S) TJM	1
W25**	8900018810	OPC-1974 (P0.5N12L50)	1
EP2	6910025930	S80-5 <USE>	1
MP1	8010023570	3765 CHASSIS	1
MP2	8110010940	3765 U-COVER Y2203	1
MP3	8110010950	3765 L-COVER Y2202	1
MP4	8930093300	3765 SP RUBBER (TOP)	1
MP5	8930093310	3765 NET	1
MP6	8930075100	3015 STAND HOLDER	2
MP7	8930074520	3015 STAND	1
MP9	8930002900	RUBBER LEG (A) SK1912A	2
MP21	8820000530	FLANGE BOLT M4 X 8 NI	1
MP22	8850000140	FLAT WASHER M4 4 NI BS	2
MP23	8850000430	S-WASHER M 4 NI	1
MP24	8810008661	PHBT M3 X 8 NI-ZC3	7
MP25	8810008661	PHBT M3 X 8 NI-ZC3	7
MP26	8810008661	PHBT M3 X 8 NI-ZC3	8
MP27	8810008661	PHBT M3 X 8 NI-ZC3	7
MP28*	8810007231	SET SCREWH M3 X 8 ZC3	1
MP29*	8810007231	SET SCREWH M3 X 8 ZC3	4
MP30	8810009461	FLAT M3 X 8 ZK3	14
MP31	8810009461	FLAT M3 X 8 ZK3	10
MP32	8810005771	BIND M3 X 8 ZK3BLACK	2
MP33	8810005771	BIND M3 X 8 ZK3BLACK	2
MP34	8810008661	PHBT M3 X 8 NI-ZC3	2
MP35	8810008661	PHBT M3 X 8 NI-ZC3	1
MP36	8810010580	SET SCREWA M4 X32	4
MP37	8810009651	FLAT BT M3 X 8 NI-ZC3	4
MP51	8410002951	3765 MAIN HEATSINK-1 Y2205A	1
MP52	8930090910	THERMAL SHEET (CL) TC-200CAS (26X37)	1
MP54	8930091820	SHIELD SPONGE (DH)	1
MP55	8930082231	SHIELD SPONGE (CQ)-1	1
MP56	8930091820	SHIELD SPONGE (DH)	1
MP57	8930091820	SHIELD SPONGE (DH)	1
MP58	8850003650	PLAIN WASHER (BA)	4
MP59	8930094660	SPONGE (OC)	1
MP60	8930037770	THERMAL SHEET AY	2
MP61	8930037770	THERMAL SHEET AY	2
MP62	8930094670	SPONGE (OD)	1
MP63	8930084330	THERMAL SHEET (CA)TC600HS1.4 (6.9X9)	3
MP64	8930094510	SPONGE (NZ)	2
MP65	8930085780	SPONGE (LX)	1
MP66*	8930094670	SPONGE (OD)	1
MP67*	8930094720	RUBBER SHEET (CT)	1
MP68*	8930057311	SHIELD SPONGE (I)-1	[#03] 1
	8930057311	SHIELD SPONGE (I)-1	[#05] 1
	8930057311	SHIELD SPONGE (I)-1	[#06] 1
MP69*	8930095180	FERRITE SHEET (BB)	[#03] 1
	8930095180	FERRITE SHEET (BB)	[#05] 1
	8930095180	FERRITE SHEET (BB)	[#06] 1
MP70*	8930095110	SHIELD SPONGE (EH)	[#02] 1
	8930095110	SHIELD SPONGE (EH)	[#03] 1
	8930095110	SHIELD SPONGE (EH)	[#05] 1
	8930095110	SHIELD SPONGE (EH)	[#06] 1

[MAIN PARTS]

REF NO.	ORDER NO.	DESCRIPTION	QTY.
J1*	6510022472	40FLT-SM2-TB (LF) (SN) (M)	1
J21*	6510021722	30FLT-SM2-TB (LF) (SN) (M)	1
J45*	6510018961	B2B-PH-SM4-TB (LF) (SN)	1
J51*	6510021722	30FLT-SM2-TB (LF) (SN) (M)	1
J71*	6510022472	40FLT-SM2-TB (LF) (SN) (M)	1
J101*	6510024522	12FLT-SM2-TB (LF) (SN) (M)	1
J491*	6510025142	10FLT-SM2-TB (LF) (SN) (M)	1
J601	6510026540	UBB-4R-D14T-4D (LF) (SN)	1
J691	6510025940	PJ-3047S <XIN>	1
J751	6510025940	PJ-3047S <XIN>	1
J752*	6510014961	B2B-ZR-SM4-TF (LF) (SN)	1
J761*	6510018971	B4B-PH-SM4-TB (LF) (SN)	1
J771	6450001641	TCS5044-0141 177	1
J901*	6510025142	10FLT-SM2-TB (LF) (SN) (M)	1
J1231	6510028210	SJ050010 (TMP-J01X-V6)	1
S371*	2230001480	LS3J72-T	1
BT381*	3020000390	ML414HIV01E	1
EP1202*	6910002161	CASE-BM7H-LF	1
EP1262*	6910002161	CASE-BM7H-LF	1
EP1300*	6910026020	C MBA0210101402-00 <MSK>	1
EP1333*	6910002161	CASE-BM7H-LF	1
MP201*	8510020100	3182 DC-DC CASE Y1220	1
MP721*	8510021840	3765 MAIN SHIELD CASE Y1377	1
MP1231*	8930067510	2427 B-EARTH SPRING	1
MP1262	8930094410	3765 BM SPRING	1
MP1263	8930082601	SHIELD SPONGE (CT)-1	1

[RF UNIT]

REF NO.	ORDER NO.	DESCRIPTION	QTY.
J101	6450002520	RL-1515-2 (B.B)-L <KUO>	1
J201	6510023740	LGR4609-7000	1
J1001	6510028210	SJ050010 (TMP-J01X-V6)	1
J1071	6510028210	SJ050010 (TMP-J01X-V6)	1
J1311*	6510021722	30FLT-SM2-TB (LF) (SN) (M)	1
J1431	6510028210	SJ050010 (TMP-J01X-V6)	1
MP1251*	8510021820	3765 RF-SHIELD CASE Y1375	1

[PA UNIT]

REF NO.	ORDER NO.	DESCRIPTION	QTY.
J101*	6510028210	SJ050010 (TMP-J01X-V6)	1
J301*	6510022472	40FLT-SM2-TB (LF) (SN) (M)	1
J331*	6510018971	B4B-PH-SM4-TB (LF) (SN)	1
J801*	6510028210	SJ050010 (TMP-J01X-V6)	1
J961*	6510028210	SJ050010 (TMP-J01X-V6)	1
F2*	5210000940	1205	1
F201*	5220000400	FHA010-01F	1
W1	8900017860	OPC-1857	[#02] 1
	8900018220	OPC-1943	[#03] 1
	8900018220	OPC-1943	[#05] 1
	8900018220	OPC-1943	[#06] 1
	8900017860	OPC-1857	[#07] 1
	8900017860	OPC-1857	[#08] 1
	8900017860	OPC-1857	[#12] 1
MP301*	8930075440	3015 RUG SPRING Y1115	1
MP302*	8930075440	3015 RUG SPRING Y1115	1

*: Refer to "BOARD LAYOUTS" for the location.

** : Refer to "GENERAL WIRING" for the connection

Screw abbreviations A, B0, BT: Self-tapping PH: Pan head ZK: Black NI-ZU: Nickel-Zinc SUS: Stainless

[TUNER UNIT]

REF NO.	ORDER NO.	DESCRIPTION	QTY.
W2001*	8970024721	1.5DCOAXIAL140MM-1 C31/C31	1
J1001*	6510028210	SJ050010 (TMP-J01X-V6)	1
J1801*	6510021722	30FLT-SM2-TB (LF) (SN) (M)	1
J2001*	6510028210	SJ050010 (TMP-J01X-V6)	1
J2002*	6510028210	SJ050010 (TMP-J01X-V6)	1
MP1301*	8510013390	2355 MIX CASE	1
MP2001*	8930075430	3015 ANT SPRING Y1091	1

[FRONT UNIT]

REF NO.	ORDER NO.	DESCRIPTION	QTY.
DS1	5030004050	RFE430H-AZH-DNS-000 <TRIA>	1
W1**	8910000070	FFC-1008 (P0.5N6L50)	1
W2**	8910000070	FFC-1008 (P0.5N6L50)	1
W3**	8910000070	FFC-1008 (P0.5N6L50)	1
W4**	8900018000	OPC-1344A (P1N10L70)	1
EP1	0880001360	EX-2500 SENSOR	1
MP1	8210031701	3765 FRONT PANEL ASSEMBLY-1 (including MP2)	1
MP2	8930093270	3765 B-LENS	1
MP3	8610015840	KNOB K-300 ASSEMBLY (including MP4)	1
MP4	8930093260	3765 A-LENS	1
MP5	8610015710	KNOB K-301	1
MP6	8610015720	KNOB K-302	1
MP7	8610015730	KNOB K-303	1
MP8	8610015740	KNOB K-304	1
MP11	8010023630	3765 SUB CHASSIS Y2204	1
MP21	8810008661	PHBT M3 X 8 NI-ZC3	5
MP22	8810008661	PHBT M3 X 8 NI-ZC3	12
MP23	8810008661	PHBT M3 X 8 NI-ZC3	2
MP24	8810008631	PHBT M3 X 6 NI-ZC3	2
MP31	8930093290	3765 BRAKE PLATE	1
MP32	8930093280	3765 BRAKE BUTTON (including MP31)	1
MP33	8930077360	3073 BRAKE PAD	2
MP34	8930094550	3765 BRAKE SHEET	1
MP35	8610015830	KNOB N-432 ASSEMBLY (including MP42)	1
MP36	8610015760	KNOB N-432 COVER (TOP)	1
MP37	8610013880	KNOB N-379	1
MP38	8610011830	KNOB N301	1
MP39	8610013870	KNOB N-378	1
MP40	8610013290	KNOB N-361	1
MP41	8610015780	KNOB N-433	1
MP42	8610010040	KNOB N-239 FINGER REST	1
MP43	8810003560	M4 X 6 SUS	1
MP47	8930057950	DOUBLE SIDE TAPE (AH)	2
MP48	8930094510	SPONGE (NZ)	8
MP49	8930094520	SPONGE (OA)	3
MP50	8930094530	HIMELON SHEET (DM)	1
MP51	8930094530	HIMELON SHEET (DM)	1
MP52	8930094500	3765 VR SHEET	1
MP53	8930094540	DOUBLE SIDE TAPE (CA)	1
MP54	8930083180	SPONGE (LG)	4
MP55	8930032130	THERMAL SHEET AQ	2
MP56	8930094490	3765 KEY SPONGE	1
MP57*	8930037760	INSULATION SHEETDY	1
MP58	8930094650	SPONGE (OB)	1
MP60	8930094680	DOUBLE SIDE TAPE (CC)	1
MP61*	8930088580	HIMELON SHEET (DD)	1
MP62	8930094750	SPONGE (OF)	1

[DISPLAY UNIT]

REF NO.	ORDER NO.	DESCRIPTION	QTY.
J51*	6510022692	06FLT-SM2-TB (LF) (SN) (M)	1
J61*	6510022692	06FLT-SM2-TB (LF) (SN) (M)	1
J71*	6510022692	06FLT-SM2-TB (LF) (SN) (M)	1
J101*	6510031070	AYF534035	1
J201*	6510018971	B4B-PH-SM4-TB (LF) (SN)	1
J301*	6510022692	06FLT-SM2-TB (LF) (SN) (M)	1
J401*	6510018971	B4B-PH-SM4-TB (LF) (SN)	1
J421*	6510018971	B4B-PH-SM4-TB (LF) (SN)	1
J451*	6510019971	52808-1071	1
J601*	6510022472	40FLT-SM2-TB (LF) (SN) (M)	1
S1*	2230001480	LS37J2-T	1
S2*	2230001480	LS37J2-T	1
S3*	2230001480	LS37J2-T	1
S4*	2230001480	LS37J2-T	1
S5*	2230001480	LS37J2-T	1
S6*	2230001480	LS37J2-T	1
S7*	2230001480	LS37J2-T	1
S8*	2230001480	LS37J2-T	1
S9*	2230001480	LS37J2-T	1
S10*	2230001480	LS37J2-T	1
S11*	2230001480	LS37J2-T	1
S12*	2230001480	LS37J2-T	1
S13*	2230001480	LS37J2-T	1
S14*	2230001480	LS37J2-T	1
S15*	2230001480	LS37J2-T	1
S16*	2230001480	LS37J2-T	1
S17*	2230001480	LS37J2-T	1
S18*	2230001480	LS37J2-T	1
S19*	2230001480	LS37J2-T	1
S20*	2230001480	LS37J2-T	1
S21*	2230001480	LS37J2-T	1
S22*	2230001480	LS37J2-T	1
S23*	2230001480	LS37J2-T	1
S24*	2230001480	LS37J2-T	1
S25*	2230001480	LS37J2-T	1
MP1*	8510002280	VCOSHIELD PLATE (A) FX 15	1

[PBT UNIT]

REF NO.	ORDER NO.	DESCRIPTION	QTY.
J1*	6510029480	06FH-SM1-TB (LF) (SN)	1
S1	2250000960	TP90D96AE20-30.5F-3765	1

[VR UNIT]

REF NO.	ORDER NO.	DESCRIPTION	QTY.
J1*	6510029480	06FH-SM1-TB (LF) (SN)	1

[RIT UNIT]

REF NO.	ORDER NO.	DESCRIPTION	QTY.
J1*	6510029480	06FH-SM1-TB (LF) (SN)	1
S1	2250001010	TP90N00AE20-14.5F-3765A	1

[PHONE UNIT]

REF NO.	ORDER NO.	DESCRIPTION	QTY.
W1**	8600036920	EX2500 P01*J01MA	1
J1	6450001630	HSJ1406-01-050	1

[MIC UNIT]

REF NO.	ORDER NO.	DESCRIPTION	QTY.
J1	6510000191	FM214-8SS (P)-1	1
J2*	6510019971	52808-1071	1

[SD UNIT]

REF NO.	ORDER NO.	DESCRIPTION	QTY.
J1*	6510028980	SCDABA0500	1
J2*	6510031540	12FHJ-SM1-TB (LF) (SN)	1

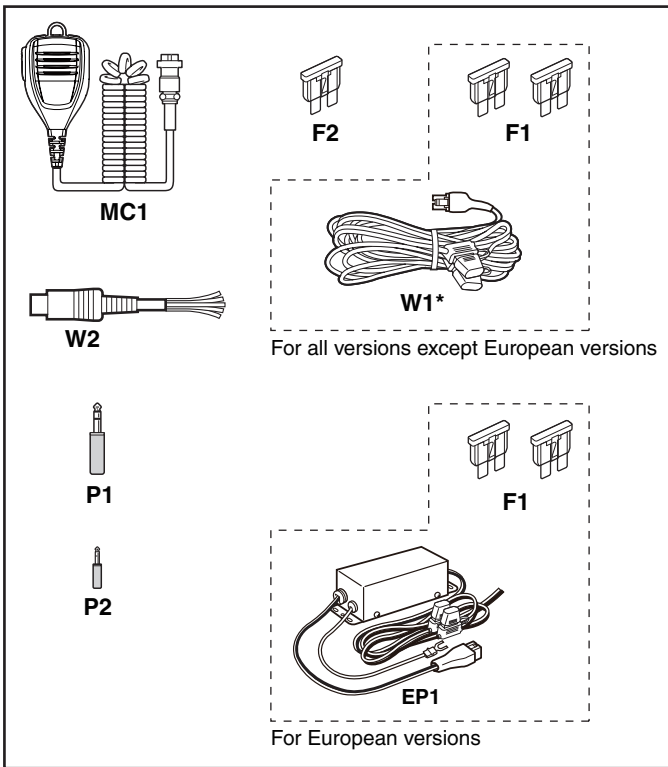
*: Refer to "BOARD LAYOUTS" for the location.

** : Refer to "GENERAL WIRING" for the connection

Screw abbreviations A, B0, BT: Self-tapping PH: Pan head ZK: Black NI-ZU: Nickel-Zinc SUS: Stainless

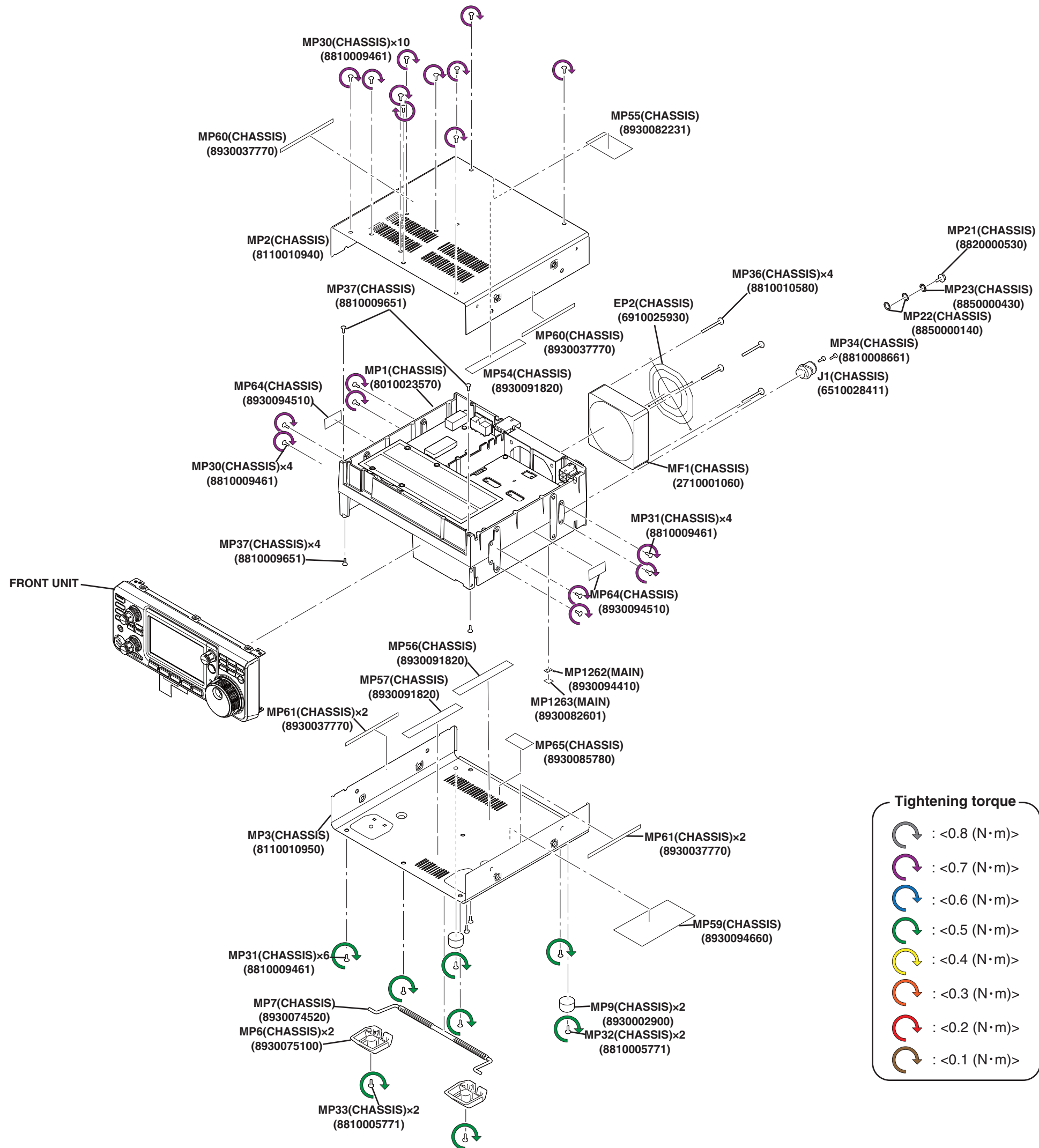
[ACCESSORIES]

REF NO.	ORDER NO.	DESCRIPTION	QTY.
P1	5610000410	AP-319	1
P2	5610000420	AP-338 (BK1)	1
F1	5210001360	ATQ 25A	[#02] 2
	5210000841	ATC 30-1	[#03] 2
	5210000841	ATC 30-1	[#05] 2
	5210000841	ATC 30-1	[#06] 2
	5210001360	ATQ 25A	[#07] 2
	5210001360	ATQ 25A	[#08] 2
	5210001360	ATQ 25A	[#12] 2
F2	5210000940	1205	1
MC1	(Optional)	HM-219	1
W1	8900022020	OPC-2361	[#02] 1
	8900022020	OPC-2361	[#07] 1
	8900022020	OPC-2361	[#08] 1
	8900022020	OPC-2361	[#12] 1
W2	8900006110	OPC-596	1
EP1	0880001680	OPC1457R	[#03] 1
	0880001680	OPC1457R	[#05] 1











* Different types of accessories may be supplied, or may not be supplied depending on the transceiver version.

• GENERAL



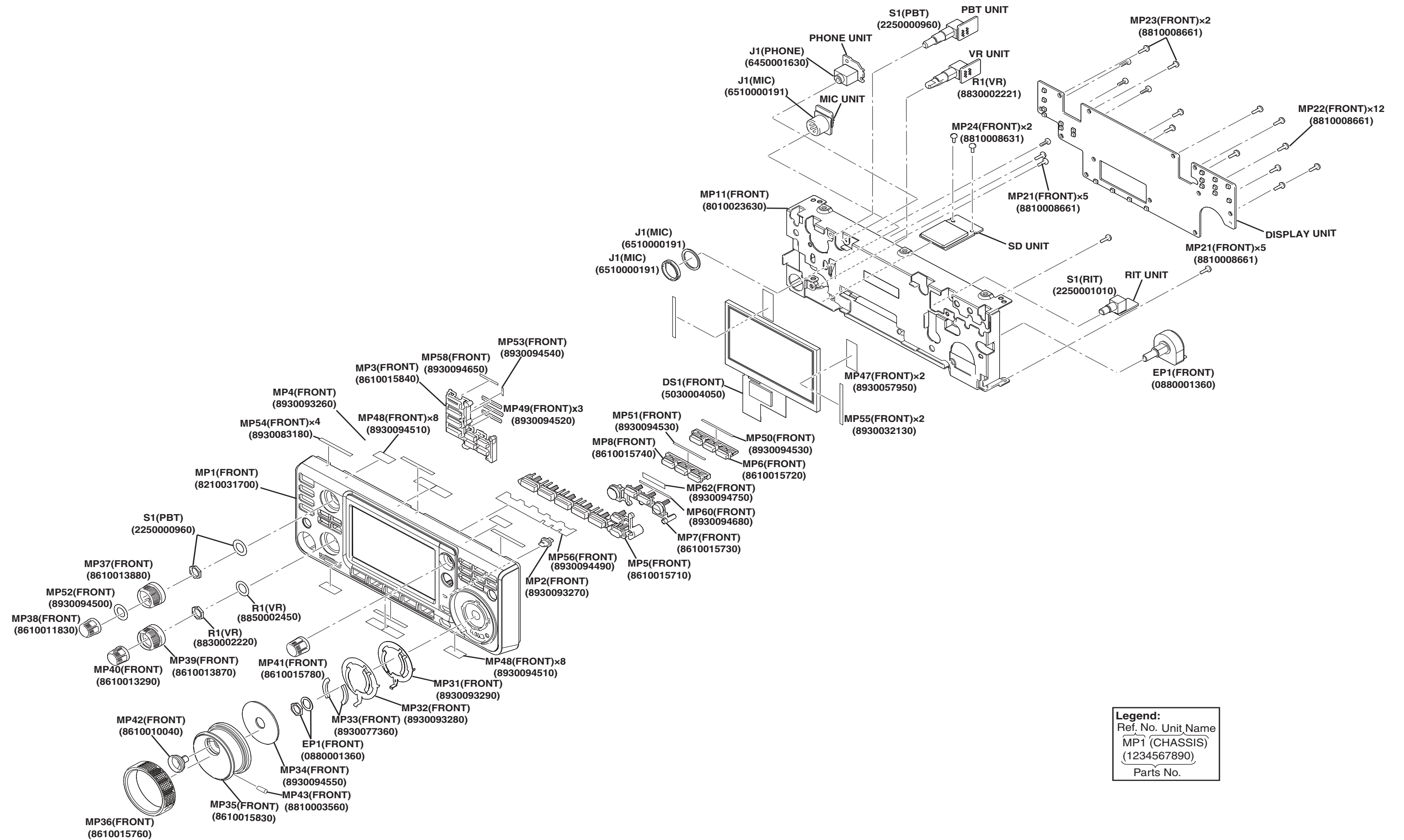
Tightening torque

-  : <0.8 (N·m)>
-  : <0.7 (N·m)>
-  : <0.6 (N·m)>
-  : <0.5 (N·m)>
-  : <0.4 (N·m)>
-  : <0.3 (N·m)>
-  : <0.2 (N·m)>
-  : <0.1 (N·m)>

Legend:

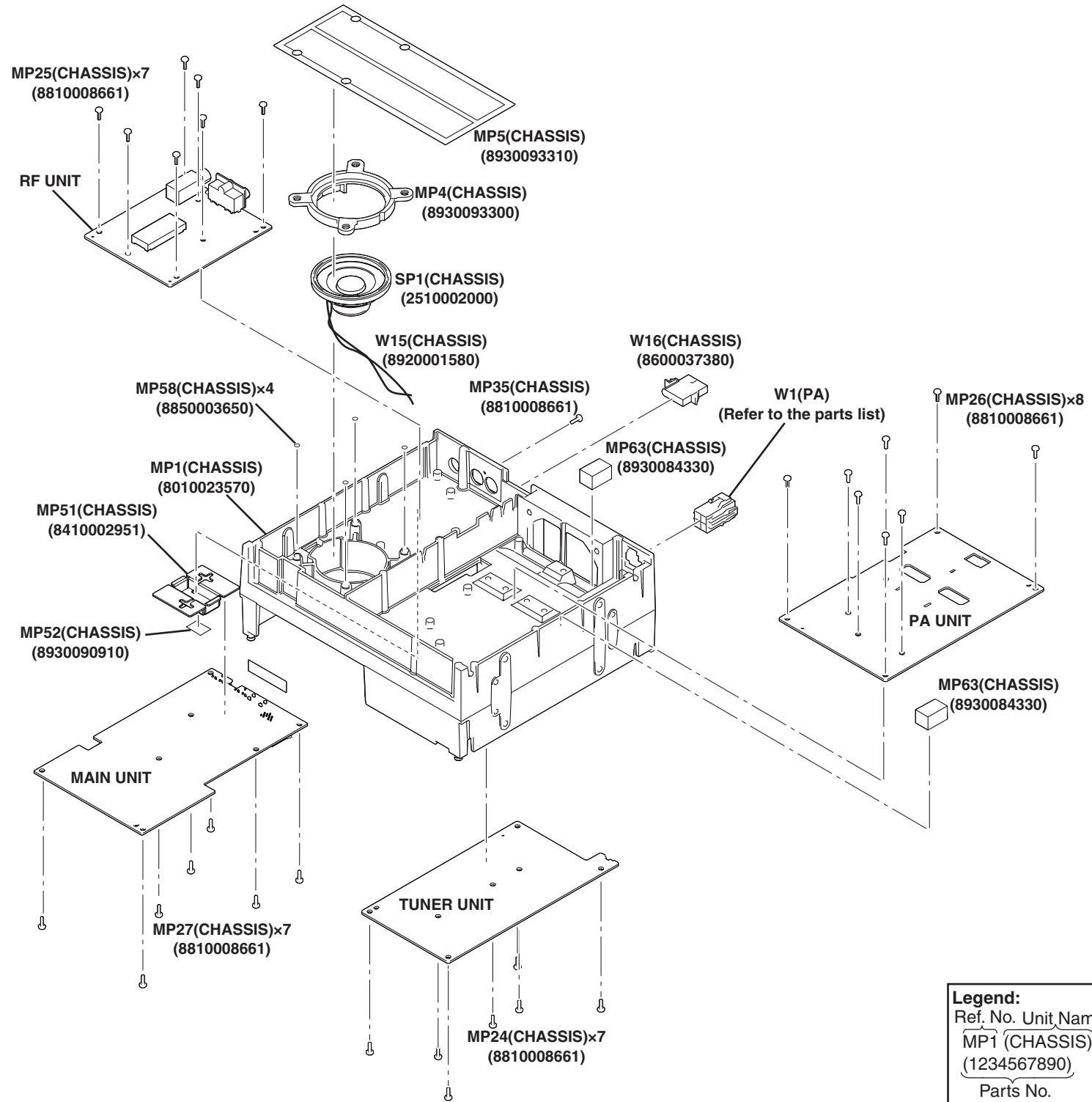
Ref. No.	Unit Name
MP1	(CHASSIS)
(1234567890)	Parts No.

• FRONT UNIT



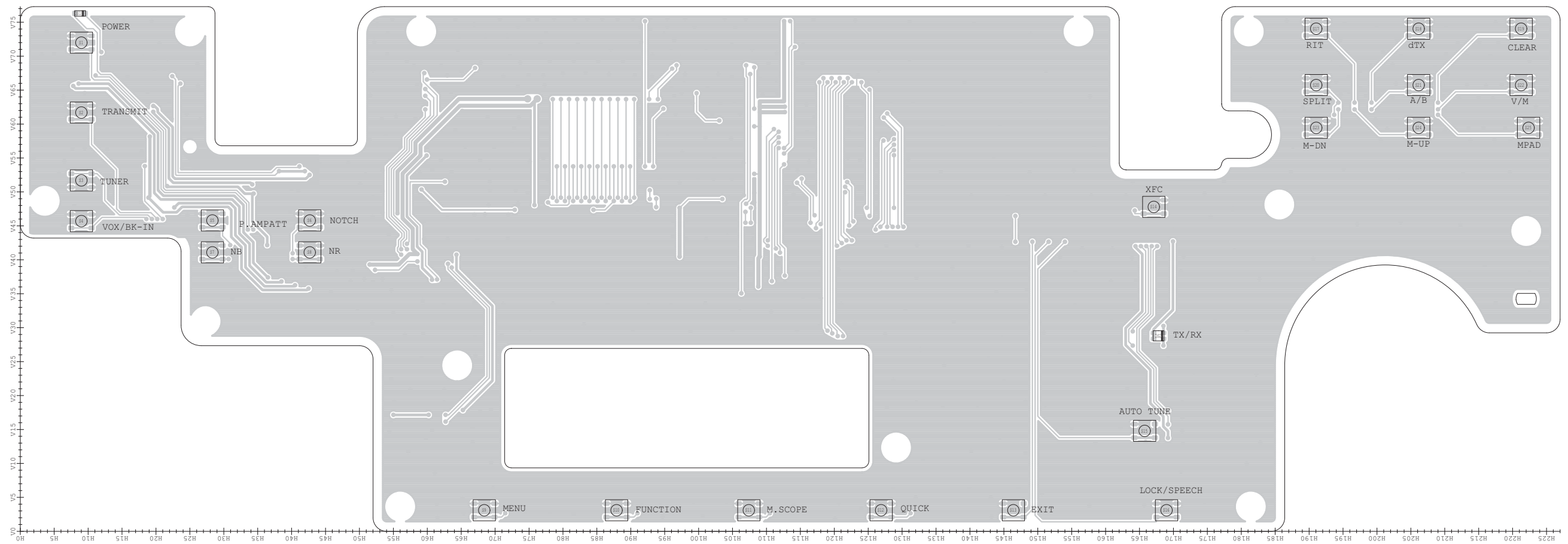
Legend:	
Ref. No.	Unit Name
MP1	(CHASSIS)
(1234567890)	
Parts No.	

• CHASSIS

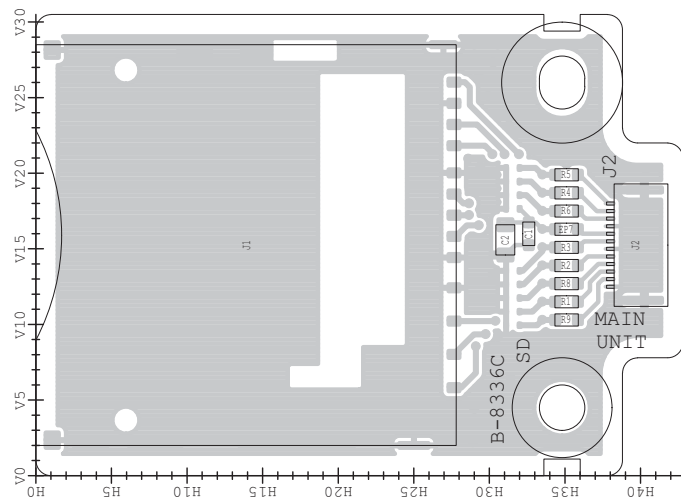


The actual configuration of the PC board can be seen by viewing the top and bottom BOARD LAYOUT pages together.

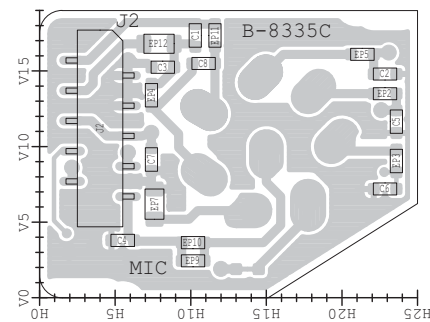
• DISPLAY UNIT B-8330C
(TOP VIEW)



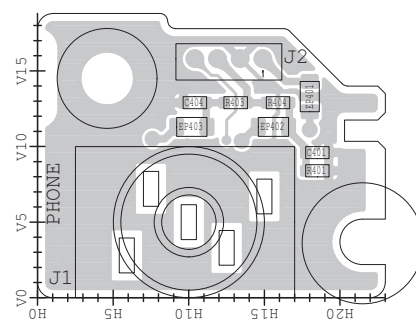
• SD UNIT B-8336C
(TOP VIEW)



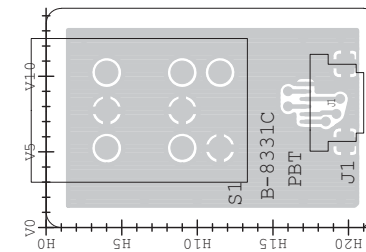
• MIC UNIT B-8335C
(TOP VIEW)



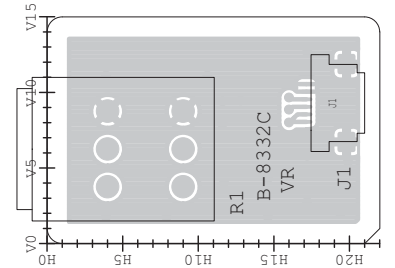
• PHONE UNIT B-8334B
(TOP VIEW)



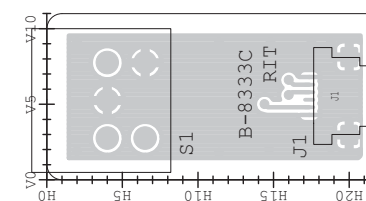
• PBT UNIT B-8331C
(TOP VIEW)



• VR UNIT B-8332C
(TOP VIEW)

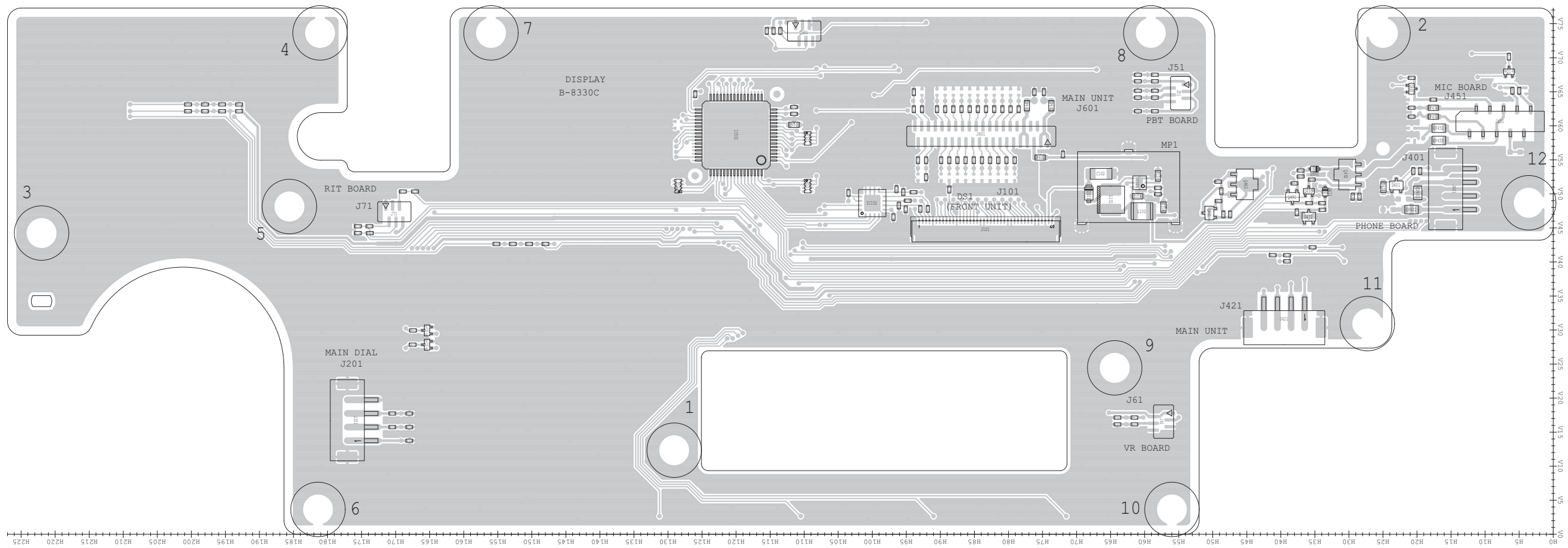


• RIT UNIT B-8333C
(TOP VIEW)

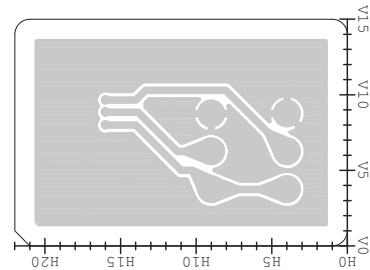


The actual configuration of the PC board can be seen by viewing the top and bottom BOARD LAYOUT pages together.

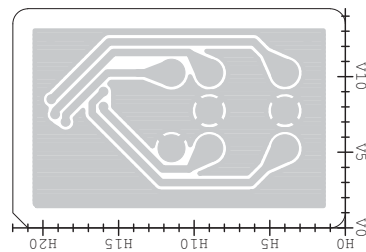
• **DISPALY UNIT B-8330C
(BOTTOM VIEW)**



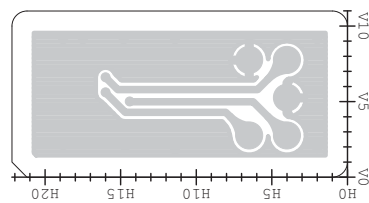
• **VR UNIT B-8332C
(BOTTOM VIEW)**



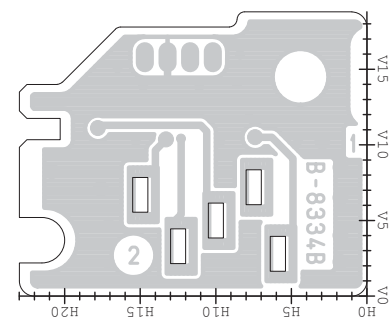
• **PBT UNIT B-8331C
(BOTTOM VIEW)**



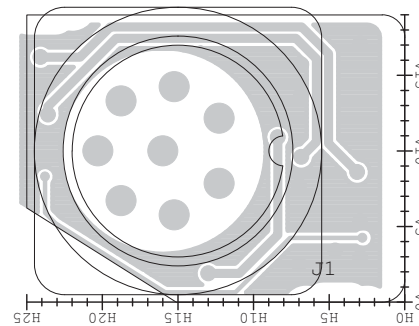
• **RIT UNIT B-8333C
(BOTTOM VIEW)**



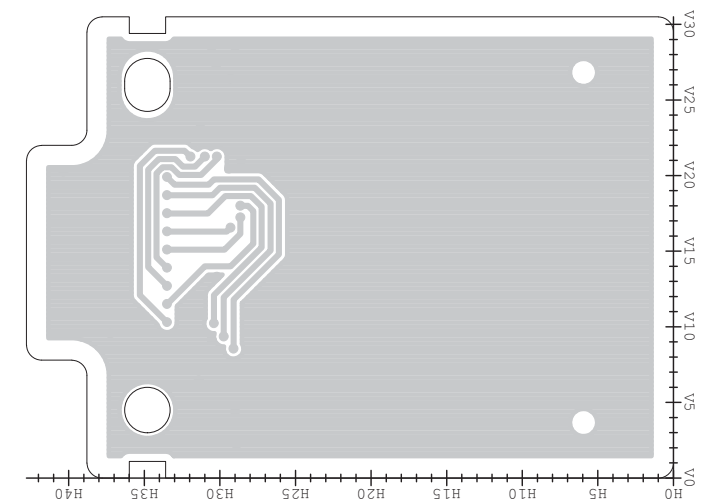
• **PHONE UNIT B-8334B
(BOTTOM VIEW)**



• **MIC UNIT B-8335C
(BOTTOM VIEW)**

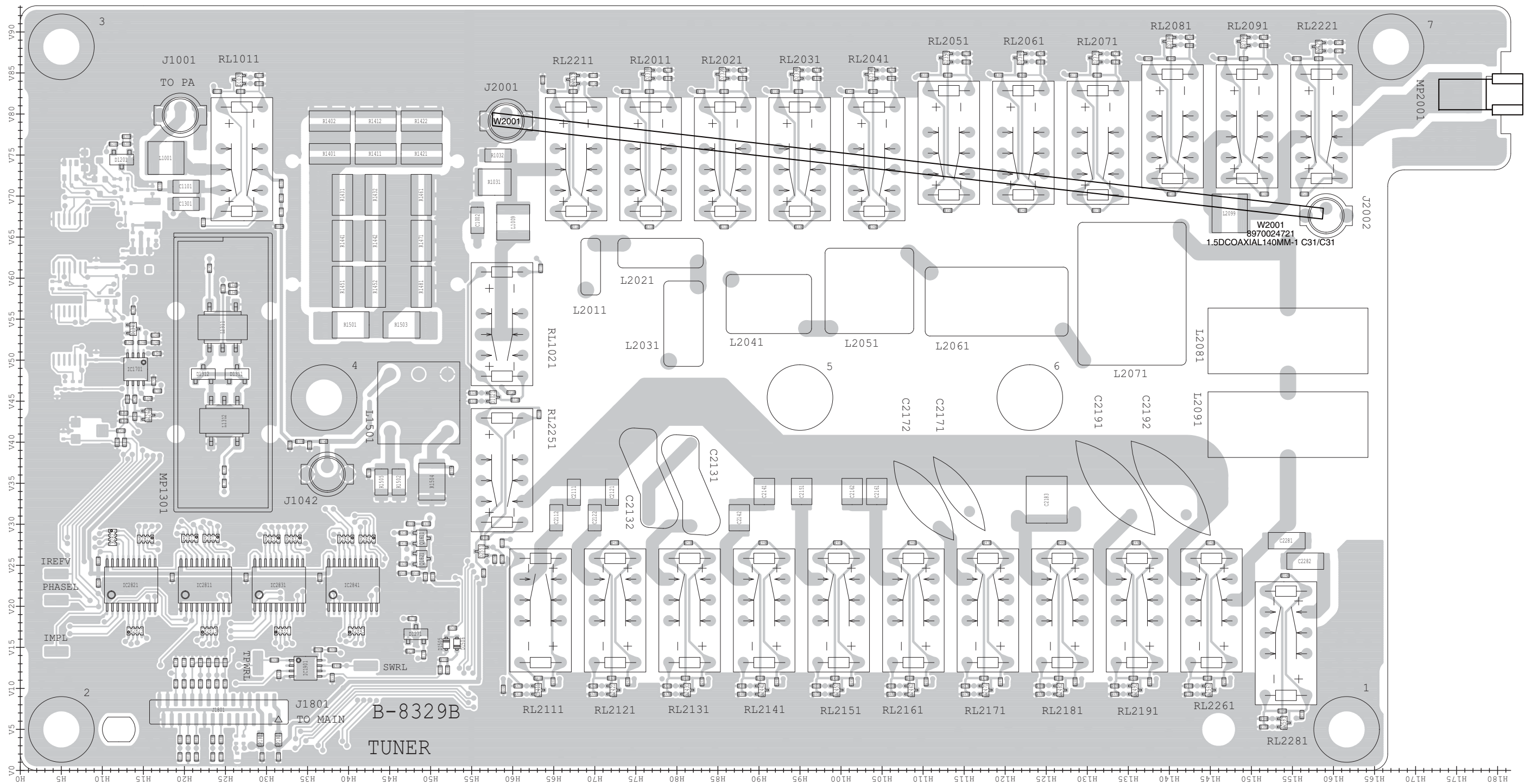


• **SD UNIT B-8336C
(BOTTOM VIEW)**



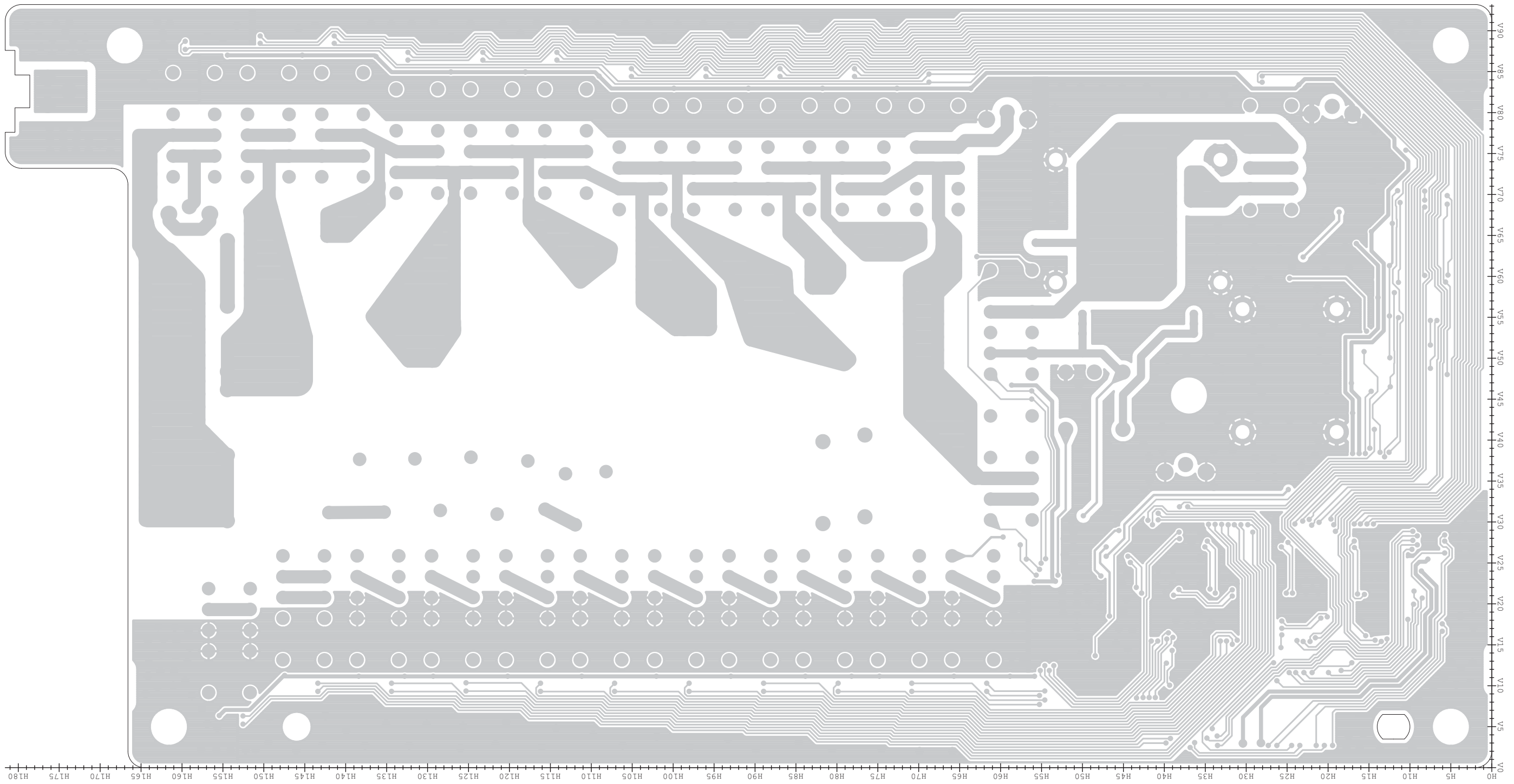
The actual configuration of the PC board can be seen by viewing the top and bottom BOARD LAYOUT pages together.

• TUNER UNIT B-8329B
(TOP VIEW)



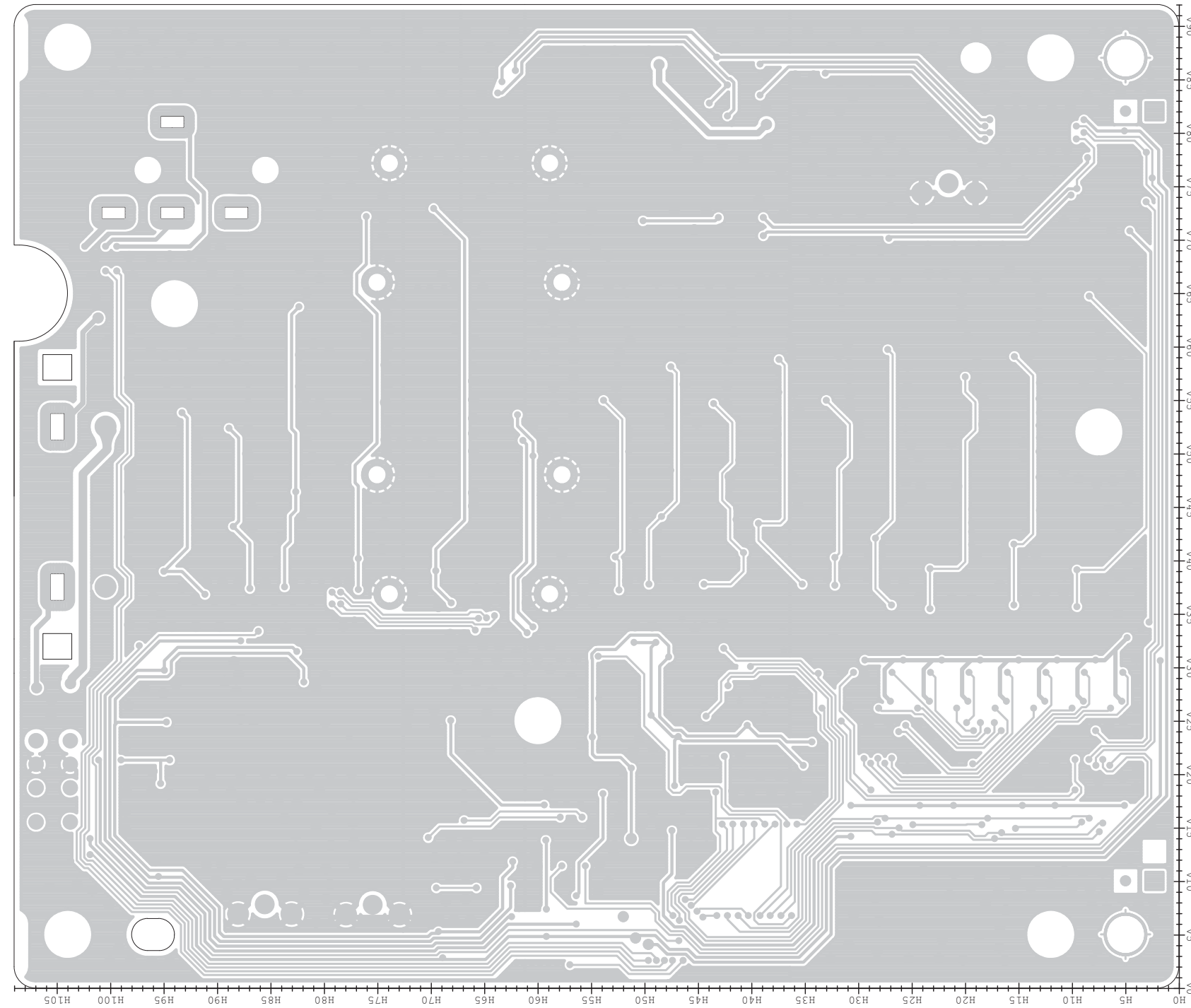
The actual configuration of the PC board can be seen by viewing the top and bottom BOARD LAYOUT pages together.

• TUNER UNIT B-8329B
(BOTTOM VIEW)

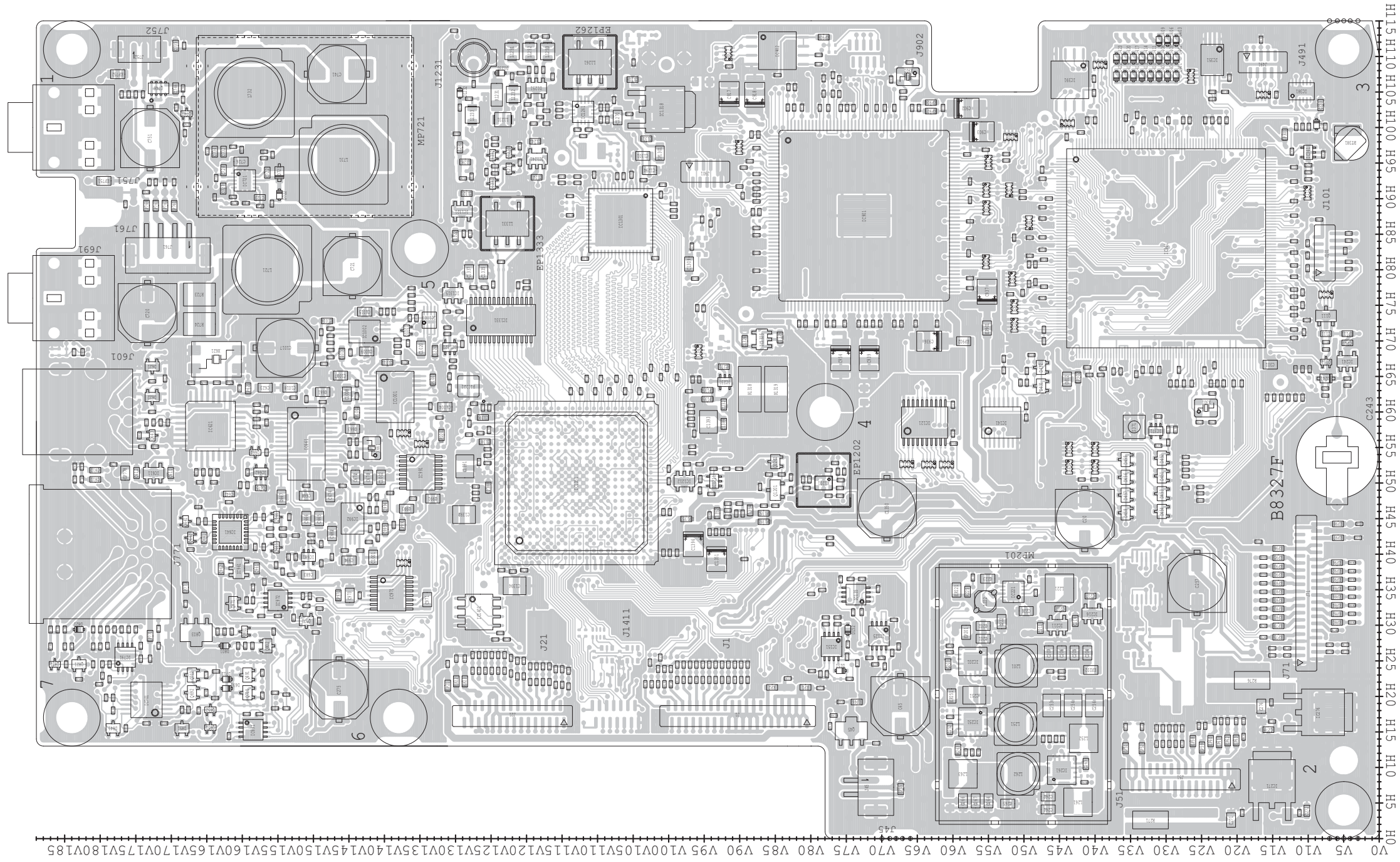


The actual configuration of the PC board can be seen by viewing the top and bottom BOARD LAYOUT pages together.

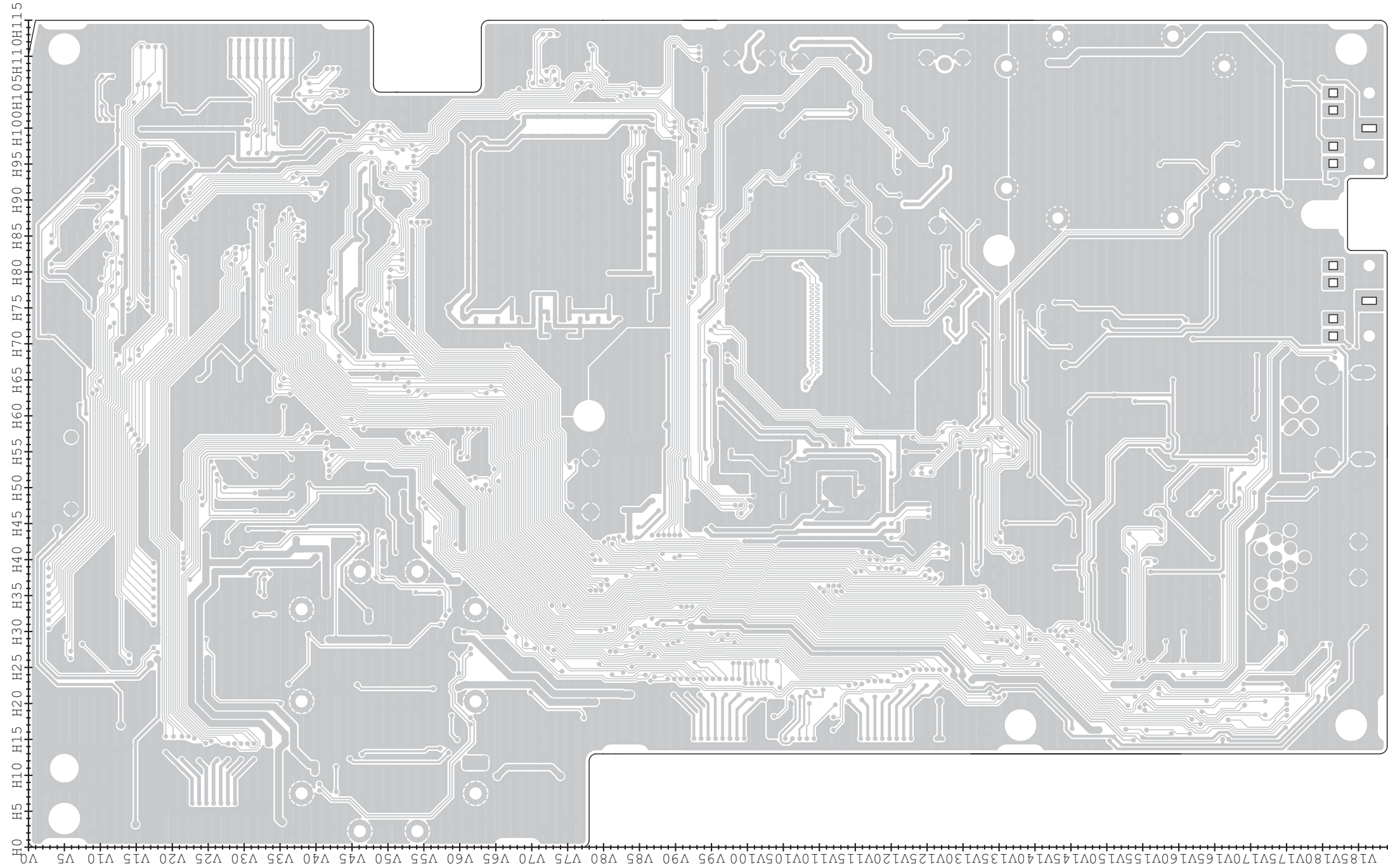
• RF UNIT B-8306E
(BOTTOM VIEW)



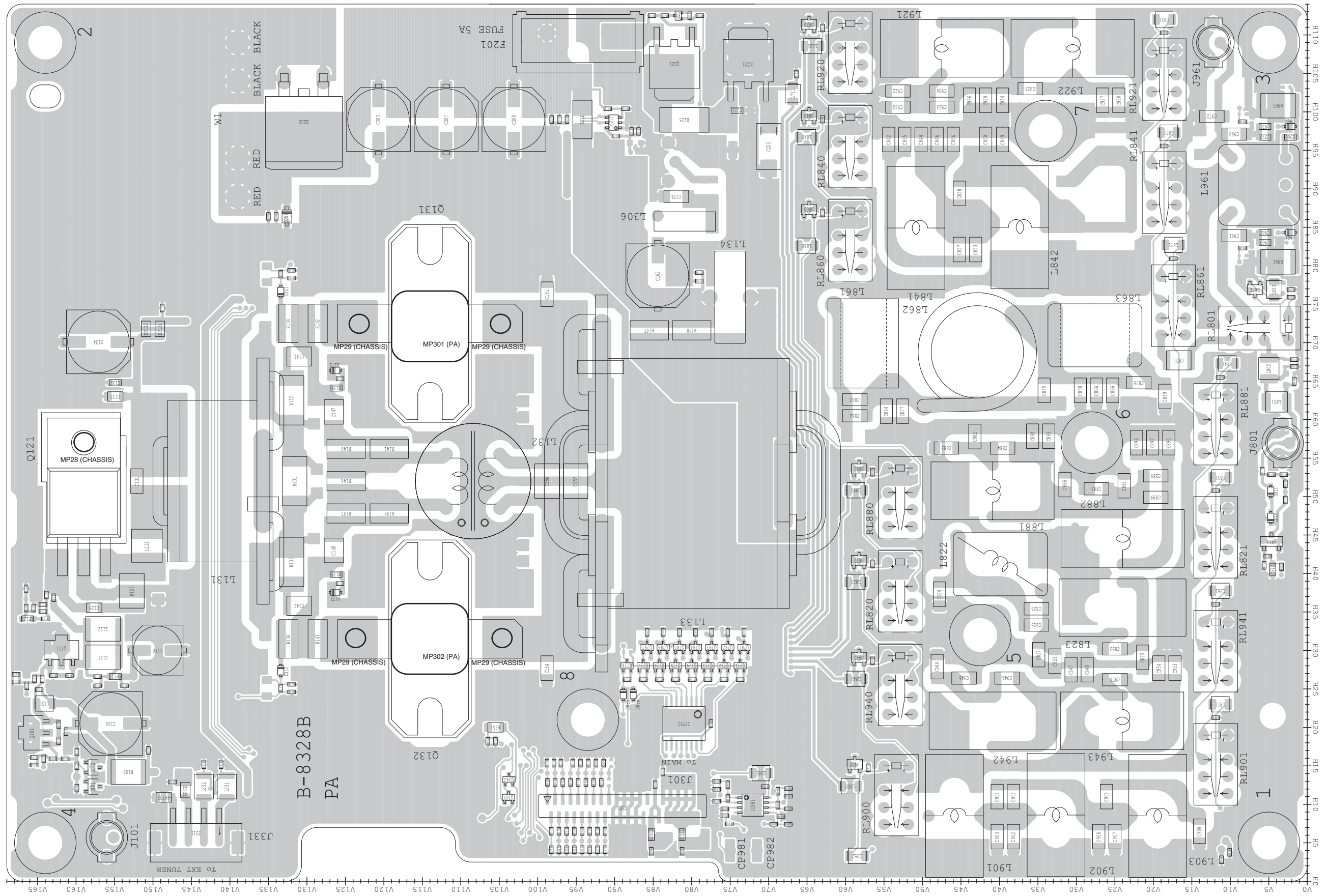
• MAIN UNIT B-8327F
(TOP VIEW)



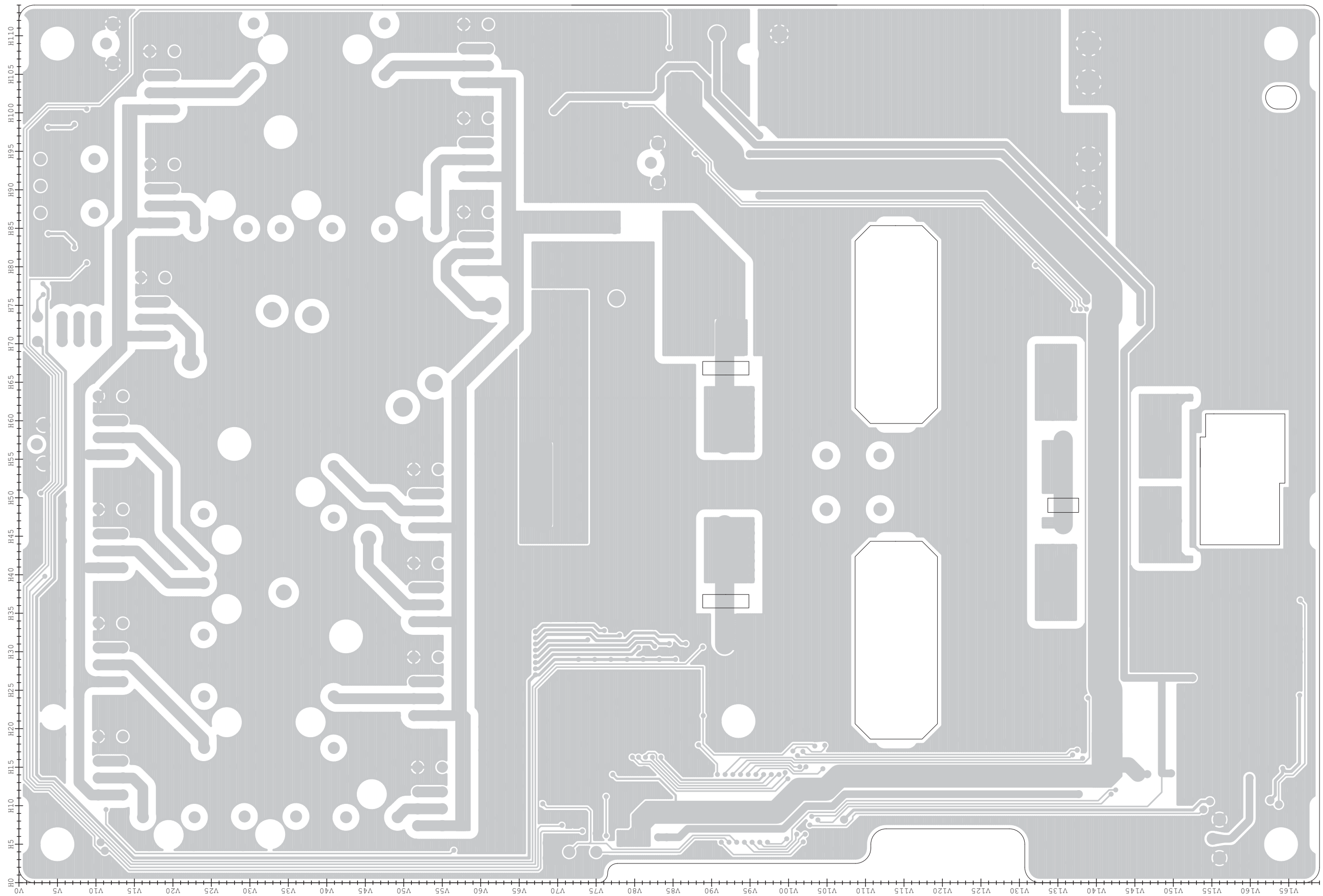
• MAIN UNIT B-8327F
(BOTTOM VIEW)

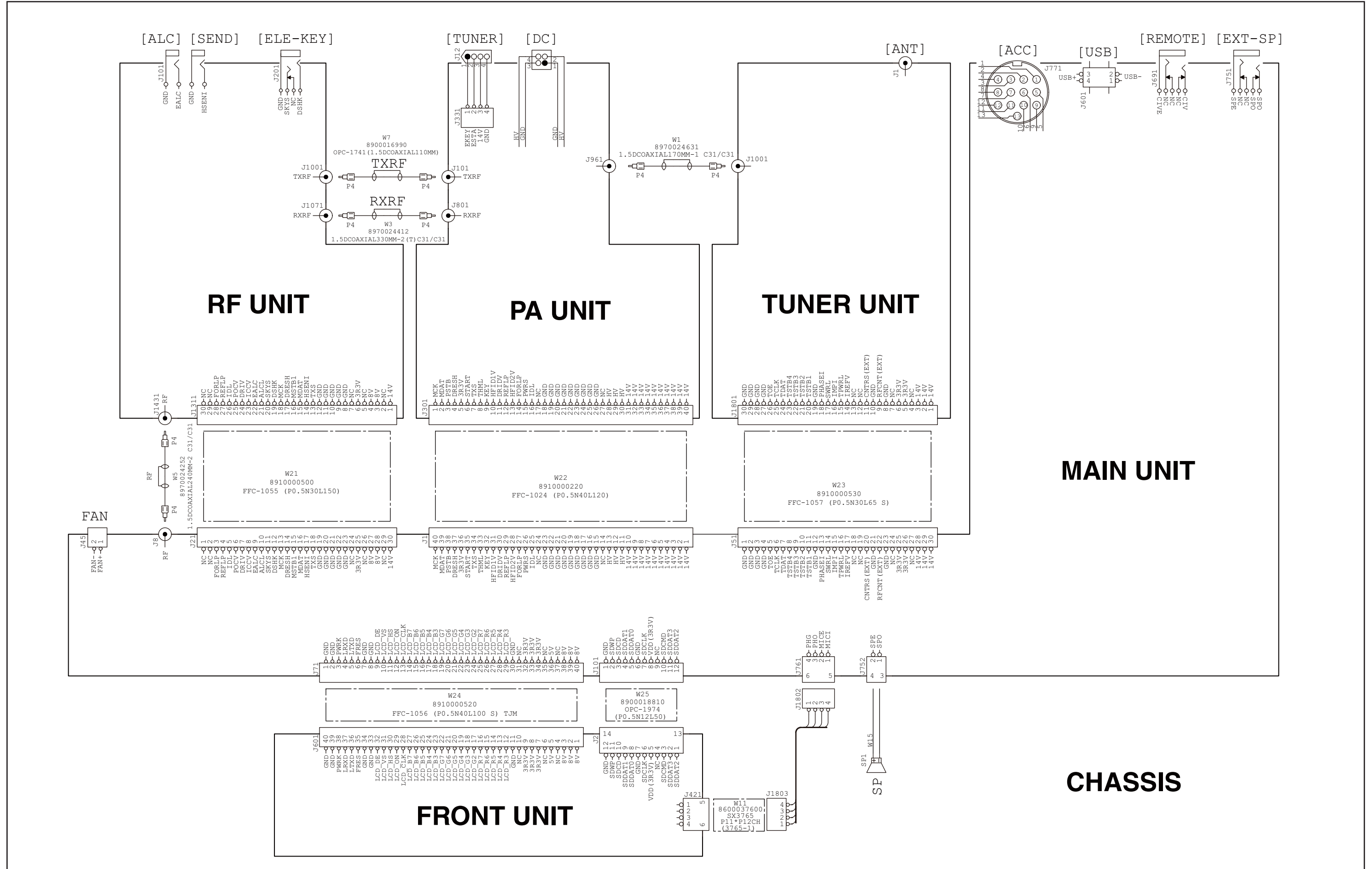


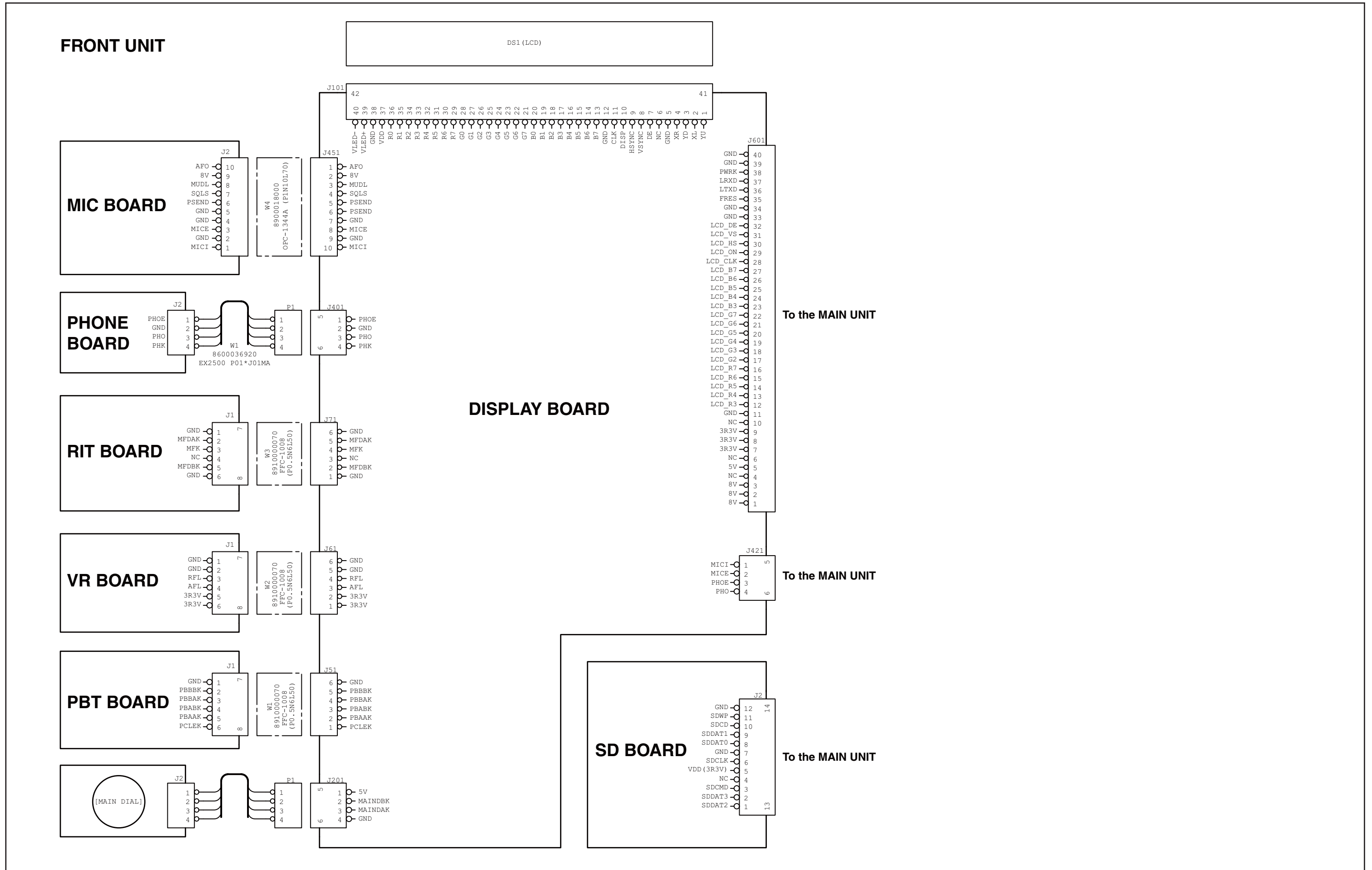
• PA UNIT B-8328B
(TOP VIEW)



• PA UNIT B-8328B
(BOTTOM VIEW)

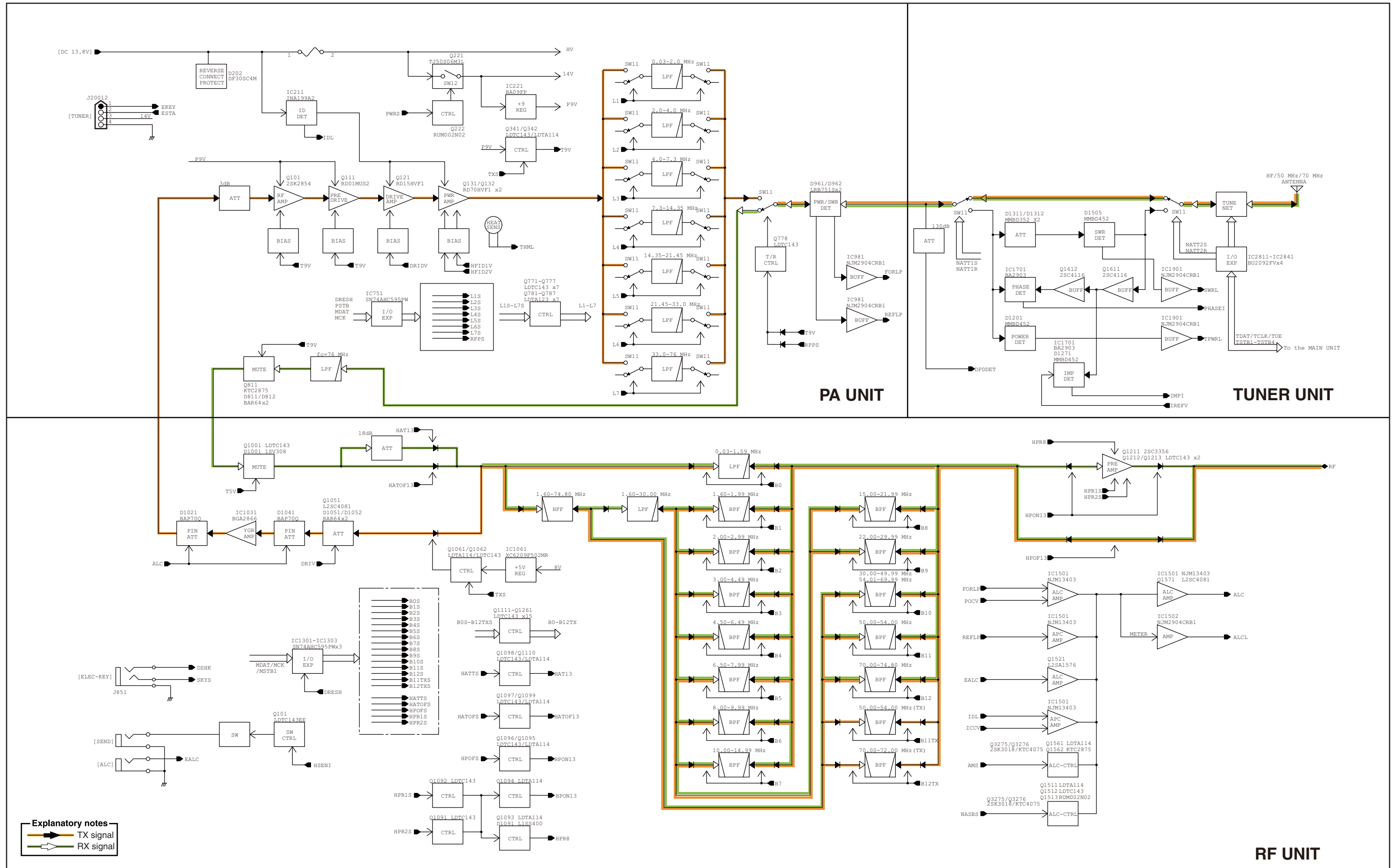


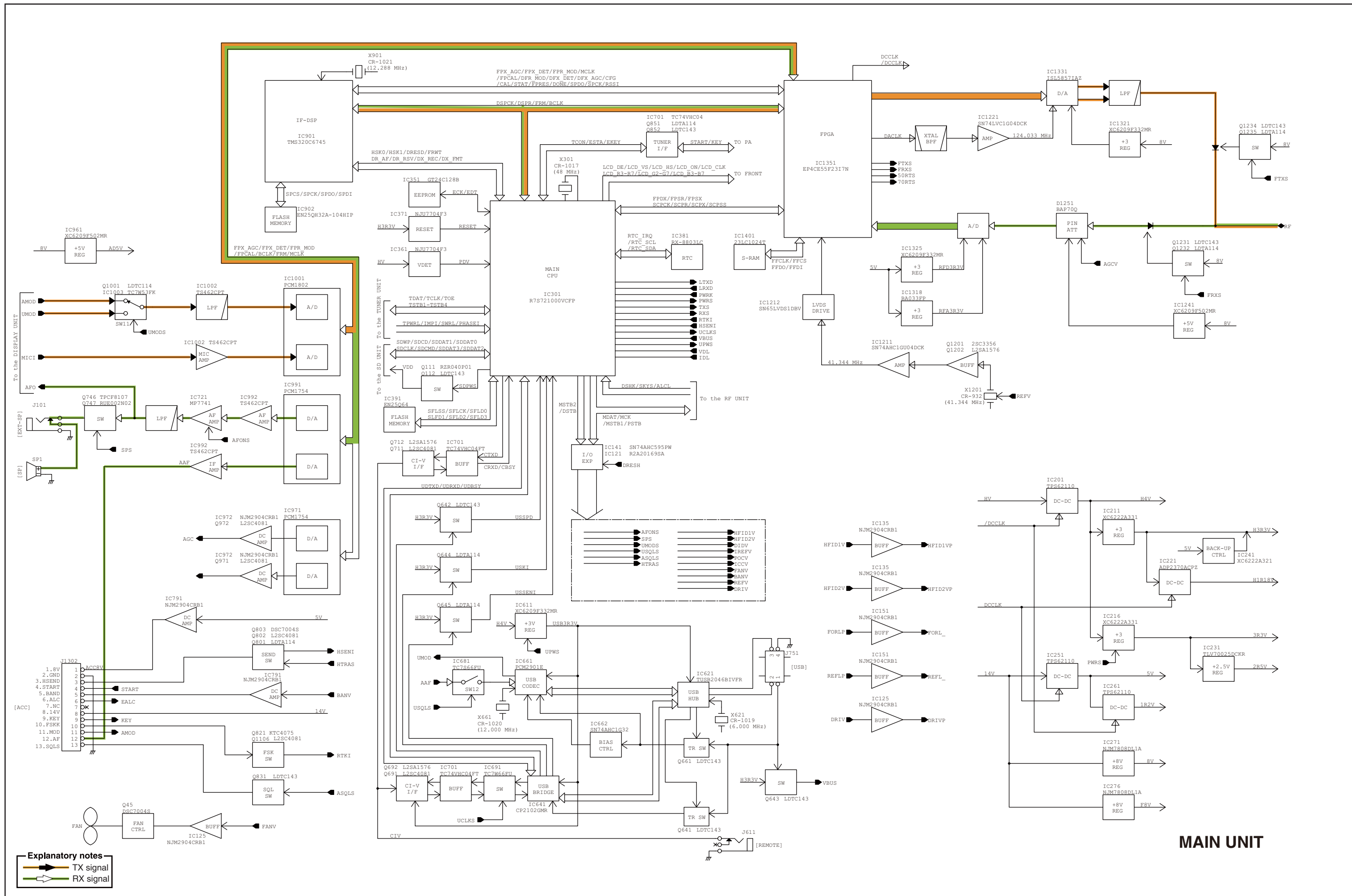




SECTION 9

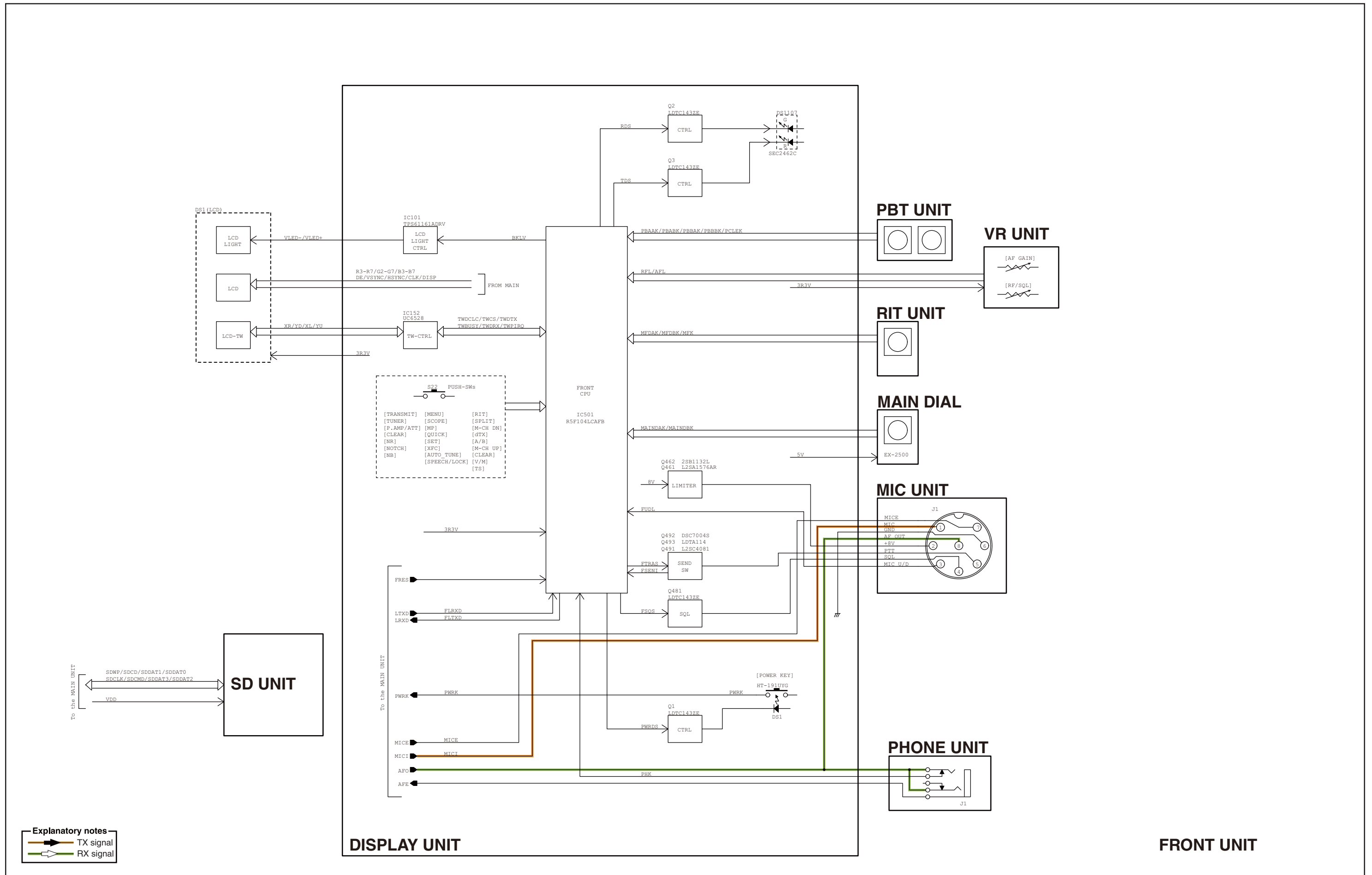
BLOCK DIAGRAM





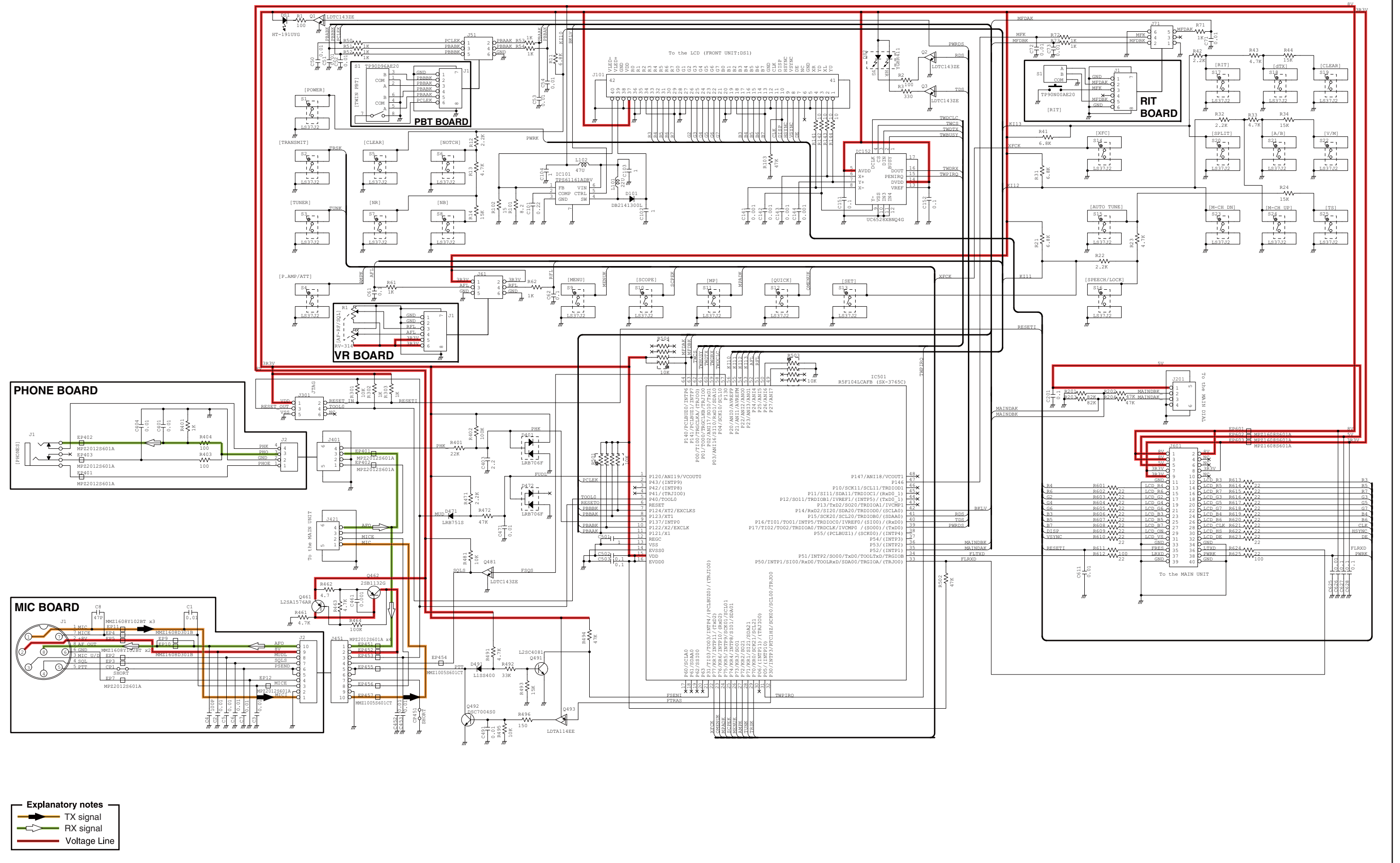
Explanatory notes
 TX signal
 RX signal

MAIN UNIT

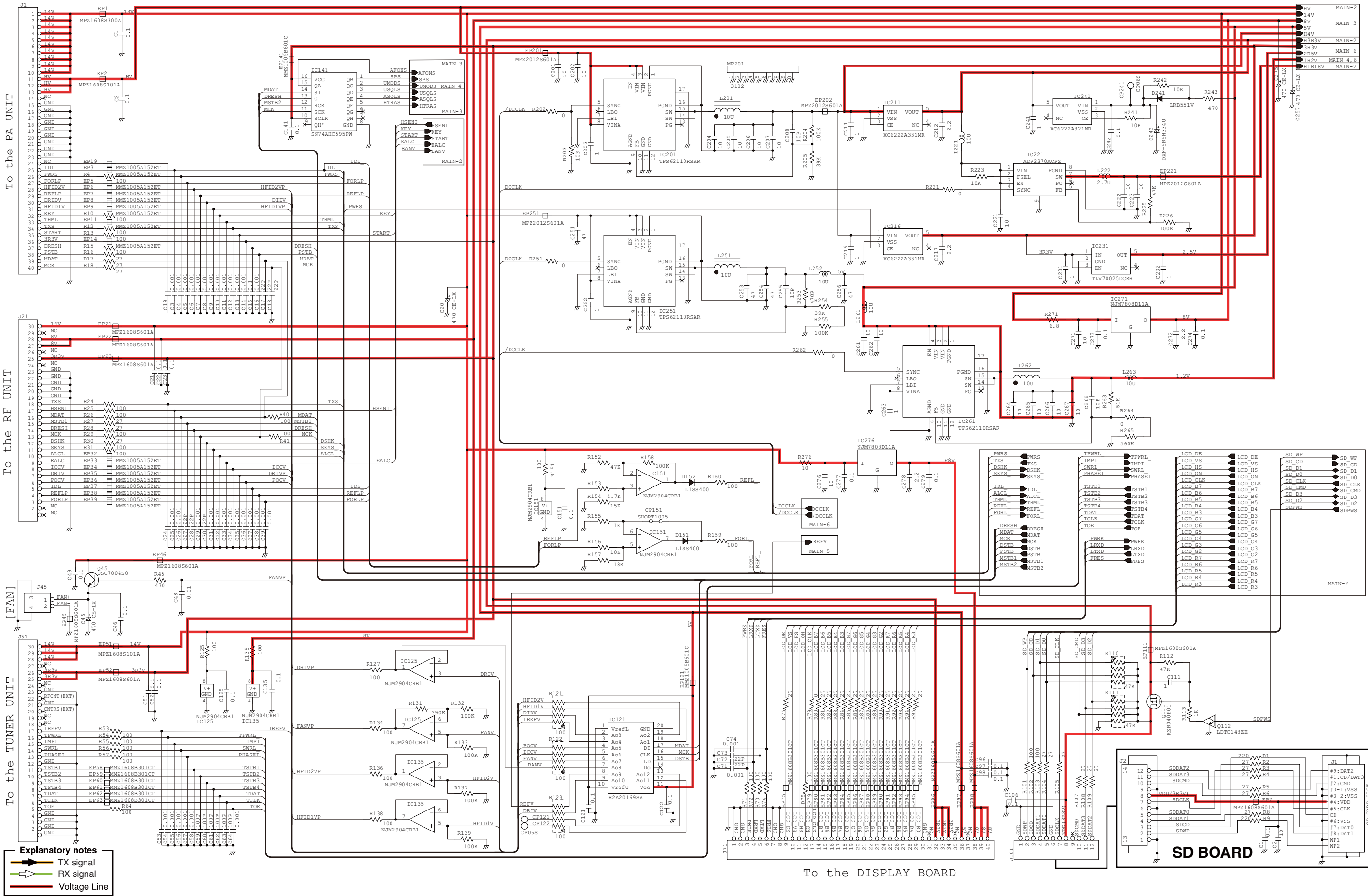


SECTION 10 SCHEMATIC DIAGRAM

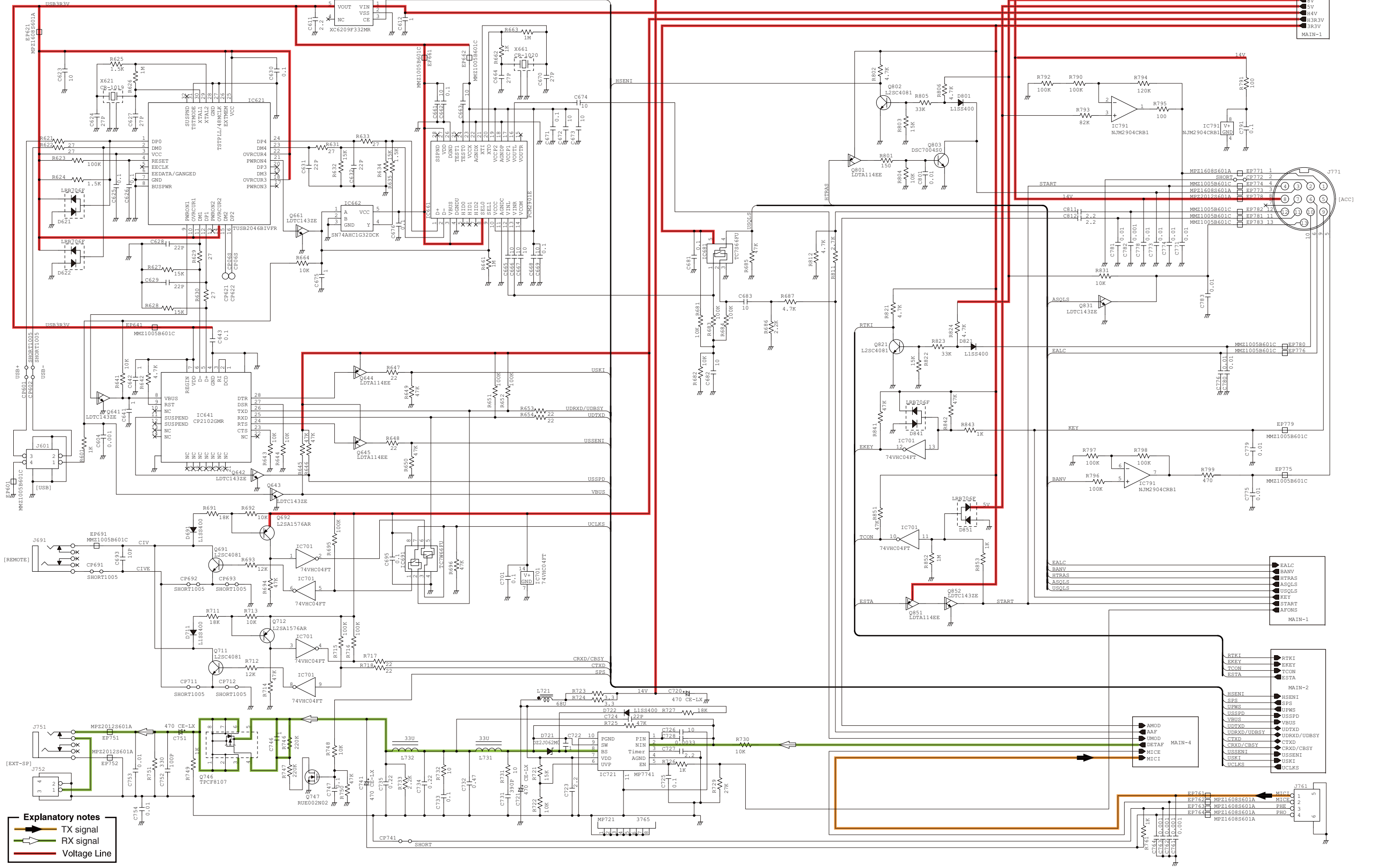
• FRONT UNIT



• MAIN UNIT (MAIN-1)



• MAIN UNIT (MAIN-3)



Explanatory notes
 TX signal
 RX signal
 Voltage Line

- 14V
- 8V
- 5V
- H3R3V
- 3R3V
- MAIN-1



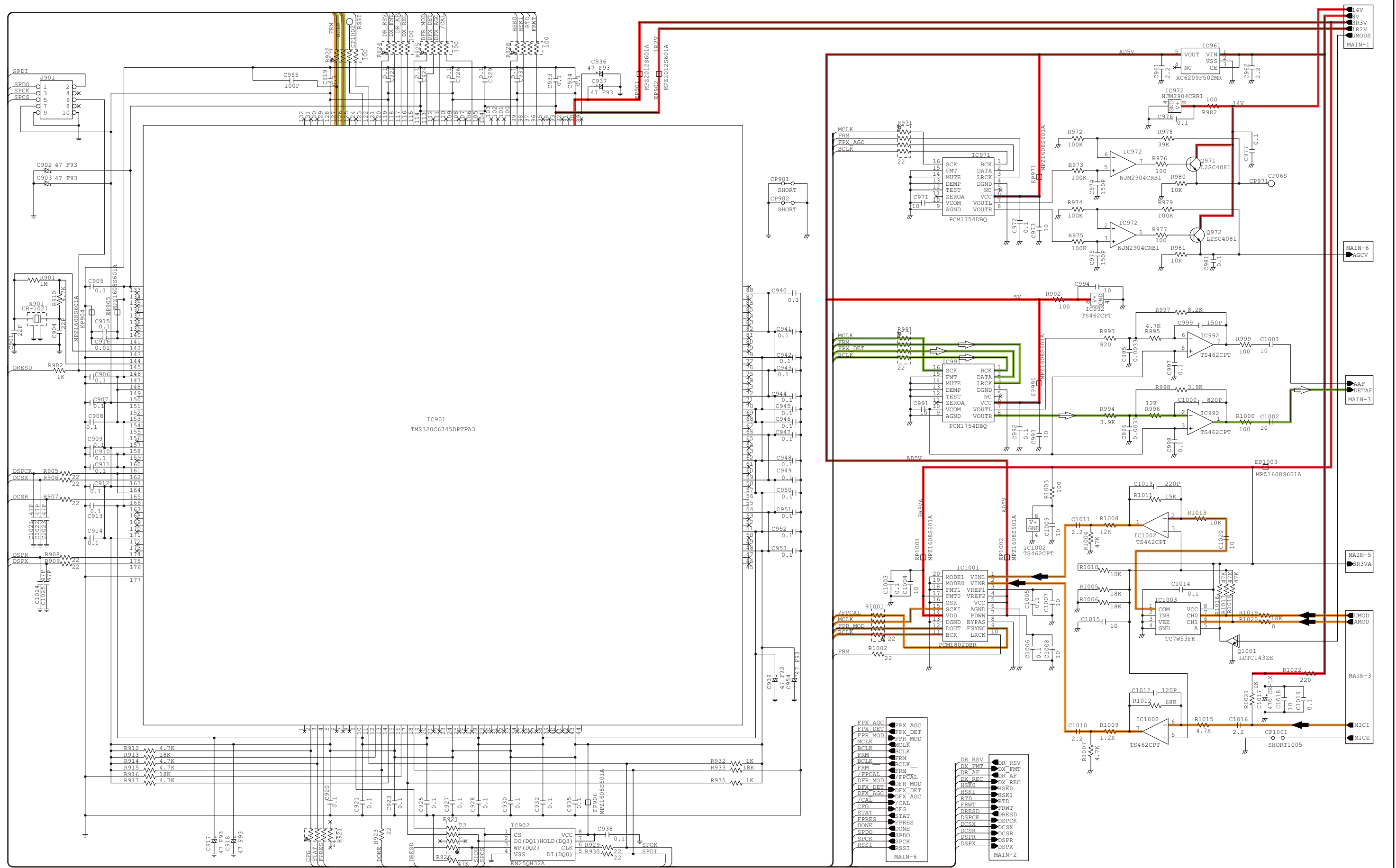
- EALC
- BANV
- HTRAS
- ASOLS
- USOLS
- KEY
- START
- AFONS
- MAIN-1

- RTKI
- EKEY
- TCON
- RSTA
- MAIN-2

- HSENI
- SPS
- UPWS
- USPED
- UBVBS
- UBTXD
- UBRXD/UBRSY
- CTXD
- CRXD/CBSY
- USSENI
- USKI
- UCLKS
- MAIN-4

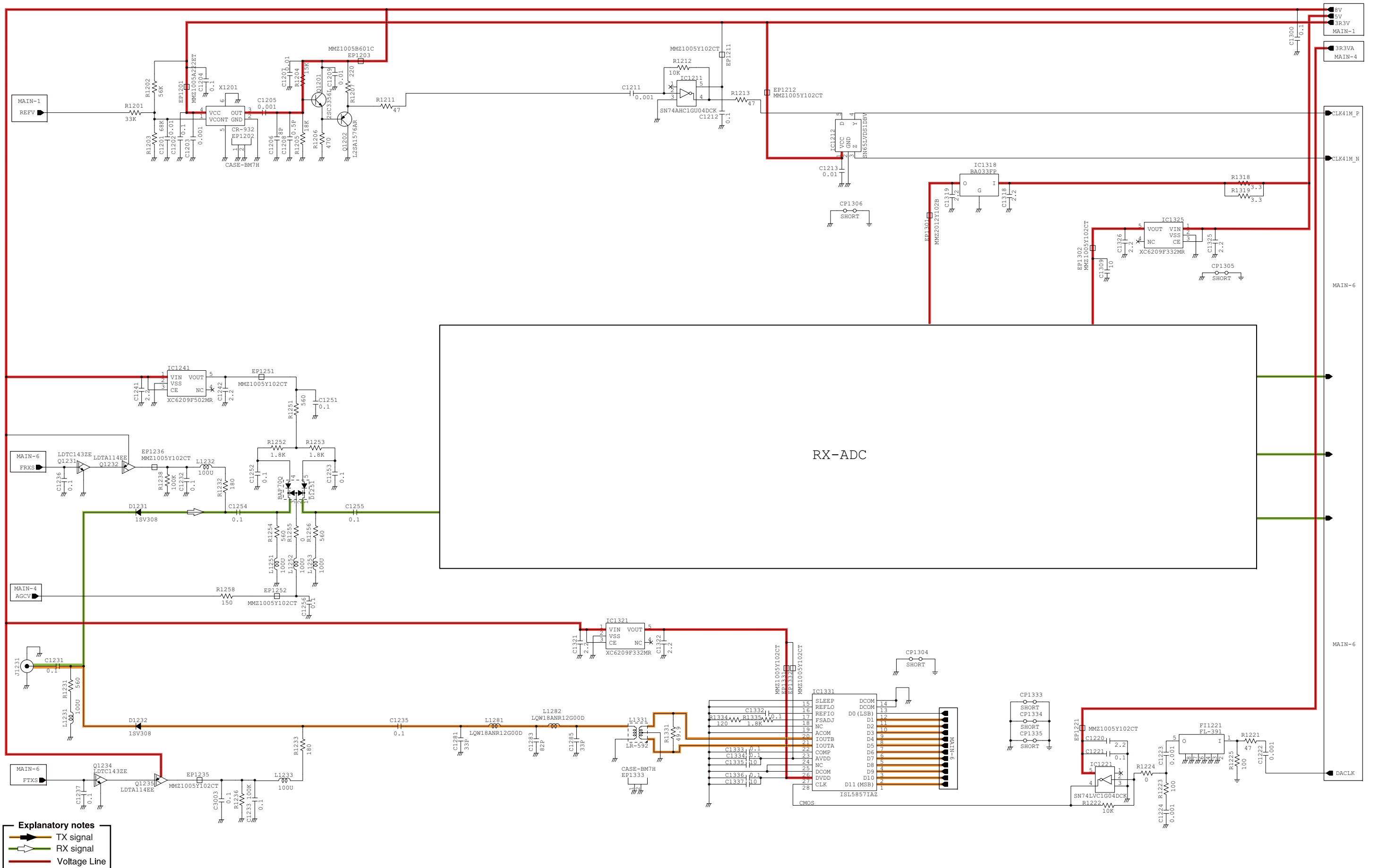
- AMOD
- AAF
- UMOD
- DETA
- NICE
- MICI
- MAIN-4

• MAIN UNIT (MAIN-4)

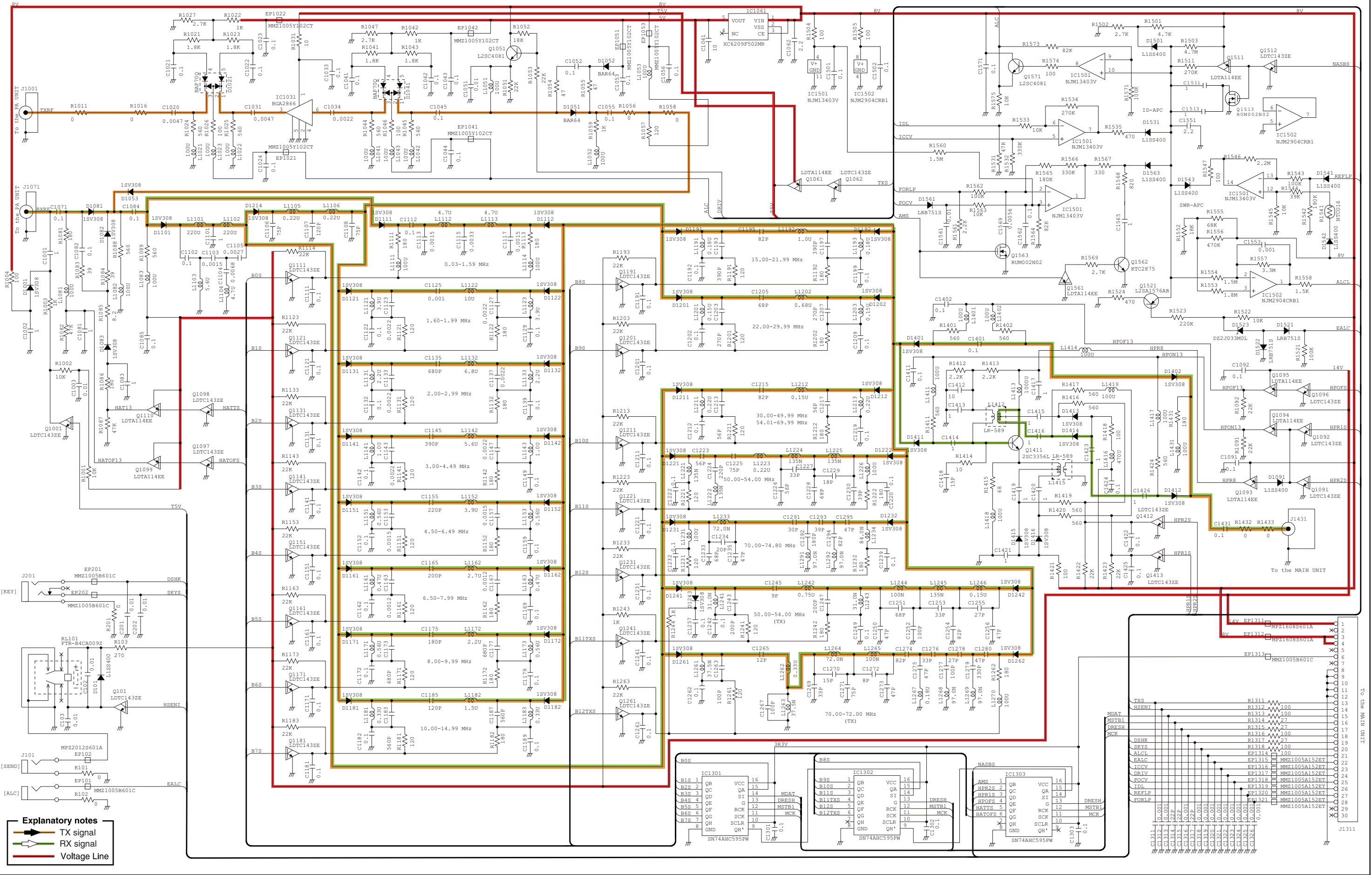


- Explanatory notes**
- TX signal
 - RX signal
 - Voltage Line

• MAIN UNIT (MAIN-5)

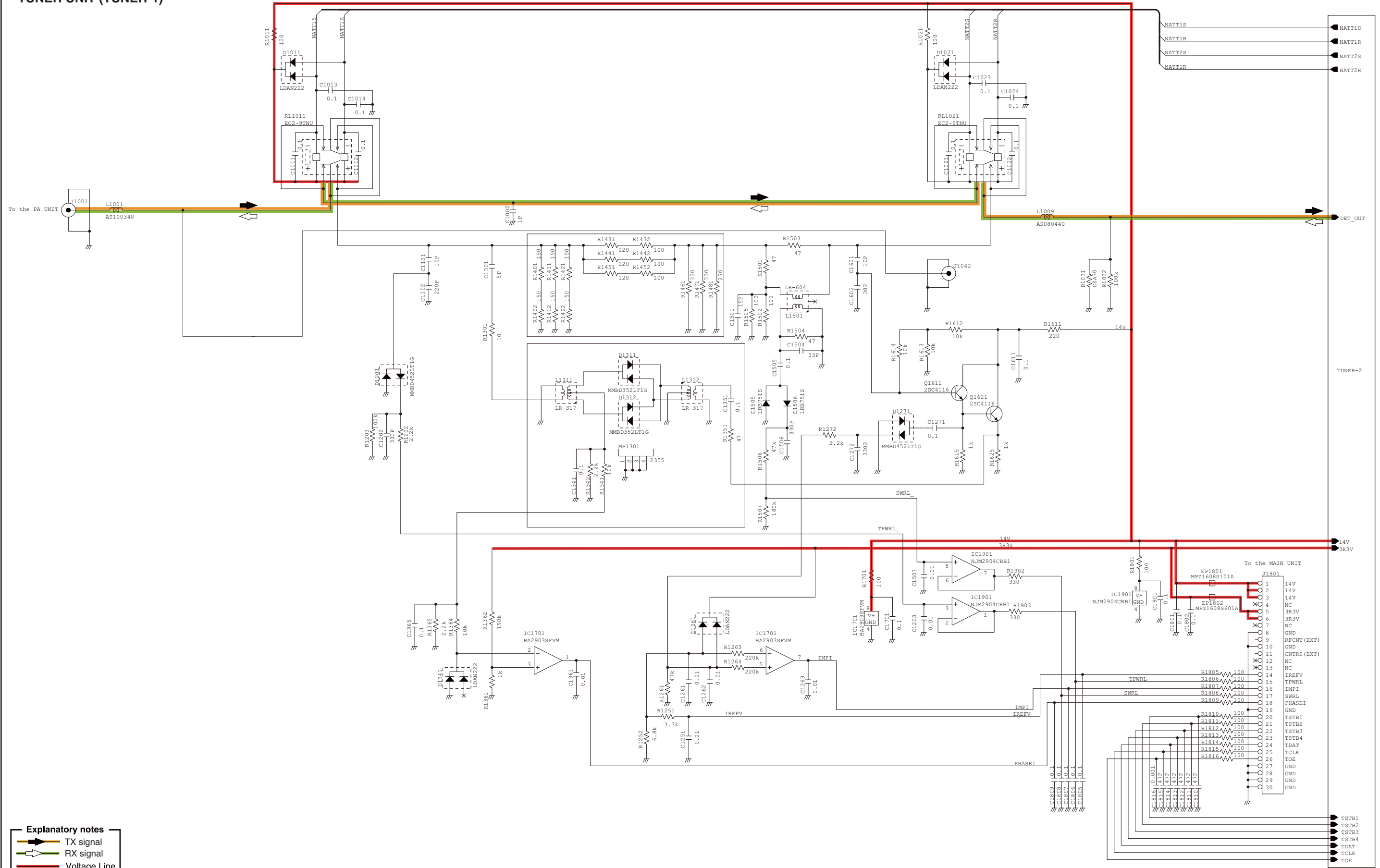


• RF UNIT



Explanatory notes
 TX signal
 RX signal
 Voltage Line

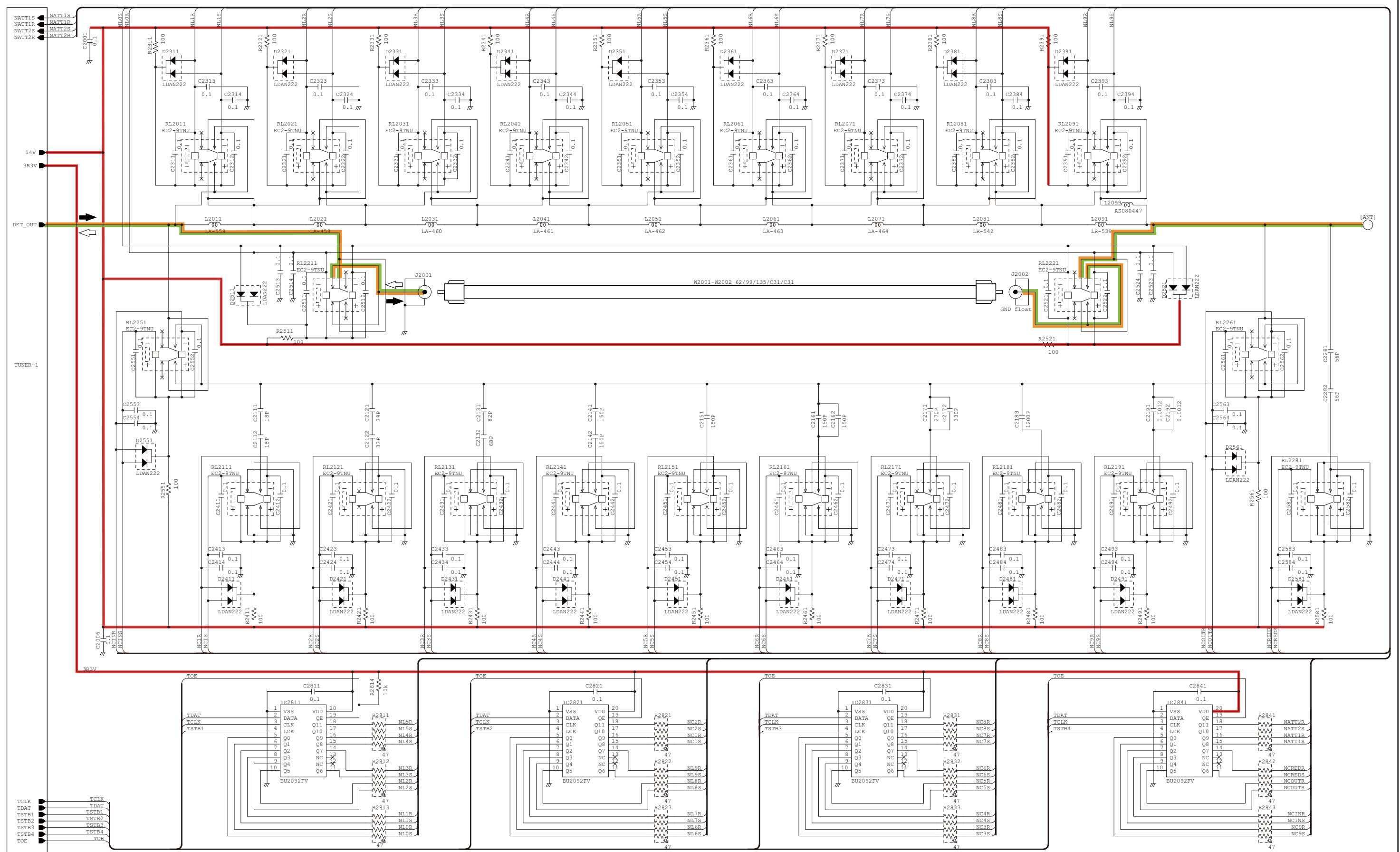
• TUNER UNIT (TUNER-1)



Explanatory notes

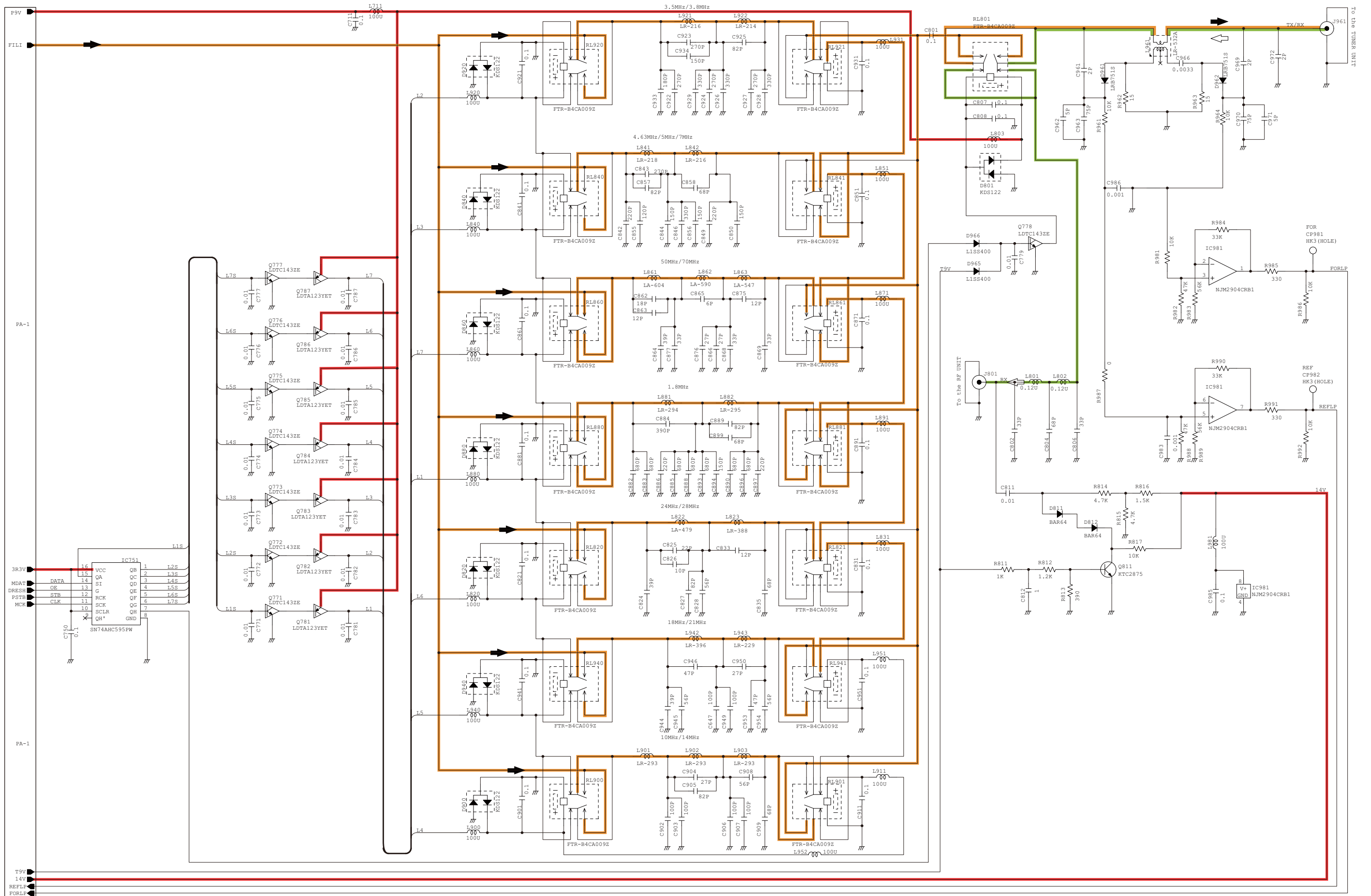
- TX signal
- RX signal
- Voltage Line

• TUNER UNIT (TUNER-2)



- Explanatory notes**
- TX signal
 - RX signal
 - Voltage Line

• PA UNIT (PA-2)



- Explanatory notes**
- TX signal
 - ← RX signal
 - Voltage Line

Icom Inc.

1-1-32, Kamiminami, Hirano-ku, Osaka 547-0003, Japan
Phone : +81 (06) 6793 5302
Fax : +81 (06) 6793 0013
URL : <http://www.icom.co.jp/world/index.html>

Icom America Inc.

<Corporate Headquarters>
12421 Willows Road NE, Kirkland, WA 98034, U.S.A.
Phone : +1 (425) 454-8155 Fax : +1 (425) 454-1509
URL : <http://www.icomamerica.com>
E-mail : sales@icomamerica.com
<Customer Service>
Phone : +1 (425) 454-7619

Icom Canada

Glenwood Centre #150-6165
Highway 17A Delta, B.C., V4K 5B8, Canada
Phone : +1 (604) 952-4266 Fax : +1 (604) 952-0090
URL : <http://www.icomcanada.com>
E-mail : info@icomcanada.com

Icom (Australia) Pty. Ltd.

Unit 1 / 103 Garden Road, Clayton VIC 3168 Australia
Phone : +61 (03) 9549-7500 Fax : +61 (03) 9549-7505
URL : <http://www.icom.net.au>
E-mail : sales@icom.net.au

Icom New Zealand

39C Rennie Drive, Airport Oaks,
Auckland, New Zealand
Phone : +64 (09) 274 4062 Fax : +64 (09) 274 4708
URL : <http://www.icom.co.nz>
E-mail : inquiries@icom.co.nz

Icom Brazil

Rua Itororó, 444 Padre Eustáquio Belo Horizonte MG,
CEP: 30720-450 Brazil
Phone : +55 (31) 3582 8847 Fax : +55 (31) 3582 8987
E-mail : sales@icombrasil.com

Icom (Europe) GmbH

Communication Equipment
Auf der Krautweide 24
65812 Bad Soden am Taunus, Germany
Phone : +49 (6196) 76685-0 Fax : +49 (6196) 76685-50
URL : <http://www.icomeurope.com>
E-mail : info@icomeurope.com

Icom Spain S.L

Ctra. Rubi, No. 88 Bajos A 08174, Sant Cugat del Valles, Barcelona, Spain
Phone : +34 (93) 590 26 70 Fax : +34 (93) 589 04 46
URL : <http://www.icomspain.com>
E-mail : icom@icomspain.com

Icom (UK) Ltd.

Blacksole House, Altira Park, Herne Bay, Kent CT6 6GZ, UK
Phone : +44 (0) 1227 741741 Fax : +44 (0) 1227 741742
URL : <http://www.icomuk.co.uk>
E-mail : info@icomuk.co.uk

Icom France s.a.s.

Zac de la Plaine
1 Rue Brindejone des Moulinais BP 5804
31505 Toulouse Cedex, France
Phone : +33 (5) 61 36 03 03 Fax : +33 (5) 61 36 03 00
URL : <http://www.icom-france.com>
E-mail : icom@icom-france.com

Asia Icom Inc.

6F No.68, Sec. 1 Cheng-Teh Road, Taipei, Taiwan, R.O.C.
Phone : +886 (02) 2559 1899 Fax : +886 (02) 2559 1874
URL : <http://www.asia-icom.com>
E-mail : sales@asia-icom.com

Count on us!

Icom Inc.

1-1-32, Kamiminami, Hirano-ku, Osaka 547-0003, Japan

S-15218XZ-C1
© 2016 Icom Inc.